



GSA prices effective April 2, 2018  
(based on February 6, 2017, commercial price list)  
Published July 2018

## Supplemental Products

### Thrive® Portfolio

#### **General Services Administration Federal Supply Service Authorized Federal Supply Schedule Price List**

Online access to contract ordering information, terms and conditions, up-to-date pricing, and the option to create an electronic delivery order is available through GSA Advantage!, a menu-driven database system. The Internet address for GSA Advantage! is [www.gsaadvantage.gov](http://www.gsaadvantage.gov).

Office Furniture  
FSC Group 71, Part 1  
Contract Number: GS-03F-036DA  
Contract Period: December 21, 2015—December 20, 2020

Herman Miller, Inc.  
855 East Main Avenue  
Zeeland, Michigan 49464  
(616) 654 3000 Phone  
(616) 654 8278 Fax  
[www.HermanMiller.com/government](http://www.HermanMiller.com/government)

Business Size: Large



# Contract Information

## 1a. Special Item Numbers (SIN)

SIN 71-1  
Packaged Offices

SIN 711-1  
Furniture Systems

SIN 711-2  
Computer Furniture

SIN 711-3  
Filing and Storage Cabinets

SIN 711-11  
Tables and Accessories

SIN 711-16  
Upholstered Seating

SIN 711-18  
Multi-Purpose Seating

SIN 711-91  
Project Management

Services under this SIN may be used only in conjunction with the purchase of new furniture. Please contact your local Herman Miller representative to discuss the available labor categories (listed below). The hourly rates listed are "Not To Exceed" or "NTE" values.

Furniture Project Manager: \$64.75 per hour  
Furniture Project Coordinator: \$49.00 per hour  
Build-Out Project Manager: \$80.00 per hour

SIN 711-93  
Reconfiguration and Relocation Services

Reconfiguration and Relocation Services will be provided by Herman Miller, Inc., or its participating dealer based on a fee not to exceed \$55 per hour, which applies to services totaling \$150,000 (per SIN) and below only. Services above \$150,000 shall be negotiated on a case-by-case basis. This SIN may only be used with the purchase of new product under SIN 711-1.

See \* Additional Notes for Installation & Reconfiguration and Relocation Services.

SIN 711-94  
Design/Layout

Design service will be provided by Herman Miller, Inc., or its participating dealer based on a fee not to exceed \$65 per hour.

SIN 711-95

Installation Services

Installation Services will be provided by Herman Miller, Inc., or its participating dealer based on a fee not to exceed \$55 per hour (\$82.50 per hour for after-hours Installation), which applies to services totaling \$150,000 (per SIN) and below only. Services above \$150,000 shall be negotiated on a case-by-case basis.

See \* Additional Notes for Installation & Reconfiguration and Relocation Services.

\* Additional Notes for Installation & Reconfiguration and Relocation Services:

FOB Destination (Drop Ship): Price includes product delivery to the site, brought to the tailgate of the truck. The purchaser is responsible for unloading.

Prices effective up to the maximum order by SIN only. Above the MO, pricing shall be negotiated on a case-by-case basis between the client and local dealer.

Standard Services are Subject to the Following Conditions:

Installation will be performed during normal weekday working hours.

Adequate facilities for delivery, unloading, moving and staging/ storing the product during the installation process shall be provided.

Service work will not be hindered by other trades.

Electric, heat, and adequate elevator service will be furnished without charge.

The immediate installation area shall be complete and free of debris including the carpet/flooring before installation commences.

Any work requiring a licensed electrician is the responsibility of the buyer.

Additional Charges May Apply For:

Major Metro Markets and any non-ground floor installation.

Major Metro Markets include large population centers and urban environments.

Installation in a clinical/medical environment.

Special restrictions or limits established by local laws, ordinances or the directions of the buyer, including but not limited to restrictions on transportations of materials, street access to the job site and/or dock facilities.

Installations outside of a 50 mile radius of the servicing dealer.

Local Prevailing Wage and/or Union Labor Rates.

Any additional charges shall be quoted by the dealer and approved by the buyer prior to performance of the work.

SIN 711-96

Leasing

Contact Herman Miller participating government dealer for current leasing information.

SIN 711-99

New Product Introductions

# Contract Information

continued

## 1b. Lowest Priced Model

SIN 711-1:	G9999.B	\$7
SIN 711-2:	6-5-D	\$35
SIN 711-3:	9M10018	\$14
SIN 711-11:	DT9A.	\$36
SIN 711-16:	OA401	\$41
SIN 711-18:	AS90598	\$46
SIN 711-99:	R1366	\$27

## 1c. Not applicable

## 2. Maximum Order

SIN 711-1, SIN 711-2  
\$500,000 net product value

SIN 711-3, SIN 711-11  
\$300,000 net product value

SIN 711-16, SIN 711-18  
\$200,000 net product value

SIN 711-93  
\$150,000

SIN 711-94  
\$150,000

SIN 711-95  
\$150,000

SIN 711-96  
\$500,000 net product value

SIN 711-99  
\$50,000 net product value

## 3. Minimum Order

\$100 net

## 4. Geographic Coverage

Continental U.S.

Orders for Alaska, Hawaii, and Puerto Rico will be shipped F.O.B. inland carrier point of exportation.

## 5. Point of Production

Zeeland, Ottawa County, Michigan  
Spring Lake, Ottawa County, Michigan

## 6. Pricing

Prices shown are list. Discounts include Industrial Funding Fee.

SIN 711-1

Product: Selected Action Office 1, Action Office 2, C-Style Overhead Storage, Ethospace System, Quadrant Pedestals, Supplemental Products, Tu Pedestals and Pedastools, and approved Herman Miller Options Products.

Standard Lead Time	Single Order Net Purchase	Discount From list
	\$100 - 250,000	73.8%
	\$250,001 - 500,000	76.8%

SIN 711-1

Product: Selected Renew™ Tables, Renew Link and approved Herman Miller Options Products

Standard Lead Time	Single Order Net Purchase	Discount From List
	\$100 - 500,000	72.8%

SIN 711-1

Product: Selected Motia™ Tables, and approved Herman Miller Options Products

Standard Lead Time	Single Order Net Purchase	Discount From List
	\$100 - 500,000	73.8%

SIN 711-1

Product: Tu Wood Pedestals and approved Herman Miller Options Products

Standard Lead Time	Single Order Net Purchase	Discount From List
	\$100 - 300,000	74.3%

SIN 711-1

Product: Selected Canvas Office Landscape and approved Herman Miller Options Products

Standard Lead Time	Single Order Net Purchase	Discount From List
	\$100 - 500,000	74.8%

SIN 711-1

Product: Selected Layout Studio® and approved Herman Miller Options Products

Standard Lead Time	Single Order Net Purchase	Discount From List
	\$100 - 500,000	60.7%

SIN 711-1

Product: Selected Meridian Pedestals, Meridian Pedastools, and approved Herman Miller Options Products

Standard Lead Time	Single Order Net Purchase	Discount From List
	\$100 - 500,000	64.2%

# Contract Information

continued

SIN 711-1

Product: Selected Thrive Portfolio and approved Herman Miller Options Products

Standard Lead Time	Single Order Net Purchase	Discount From List
	\$100 - 250,000	62%
	\$250,001 - 500,000	66.4%

SIN 711-2

Product: Passage Desking System and approved Herman Miller Options Products

Standard Lead Time	Single Order Net Purchase	Discount From List
	\$100 - 500,000	56.7%

SIN 711-2

Product: 5000 Series Furniture and approved Herman Miller Options Products

Standard Lead Time	Single Order Net Purchase	Discount From List
	\$100 - 500,000	58.7%

SIN 711-3

Product: Meridian Laterals, Verticals, Towers, and Storage products and approved Herman Miller Options Products

Standard Lead Time	Single Order Net Purchase	Discount From List Laterals	Verticals	Towers & Storage
	\$100 - 300,000	67.3%	66.3%	62.7%

SIN 711-3

Product: Tu Lateral Files, Tu Storage, Tu Towers, Tu Wood Cases, Tu Wood Cubbies, Tu Wood Credenzas, Tu Wood Towers, and approved Herman Miller Options Products

Standard Lead Time	Single Order Net Purchase	Discount From List
	\$100 - 300,000	74.3%

SIN 711-11

Product: Selected Tables and Accessories and approved Herman Miller Options Products

Standard Lead Time	Single Order Net Purchase	Discount From List
Avive® Tables	\$100 - 250,000	72.8%
	\$250,001 - 500,000	74.8%
Herman Miller Eames® Tables	\$100 - 250,000	73.6%
	\$250,001 - 300,000	77.6%
Everywhere™ Tables	\$100 - 300,000	72.8%

SIN 711-16

Product: Swoop upholstered seating products and approved Herman Miller Options Products

Standard Lead Time	Single Order Net Purchase	Discount From List
Swoop™	\$100 - 200,000	60.7%

SIN 711-18

Product: Selected Seating and approved Herman Miller Options Products

Standard Lead Time	Single Order Net Purchase	Discount From List
Aeron® (Classic and New)	\$100 - 200,000	64.5%
Aside®	\$100 - 200,000	64.2%
Caper®	\$100 - 200,000	61.5%
Celle®	\$100 - 200,000	59.7%
Embody®	\$100 - 200,000	59.7%
Equa 2®	\$100 - 200,000	65.8%
Ergon 3®	\$100 - 200,000	68.8%
Keyn	\$100 - 200,000	57.7%
Mirra® 2	\$100 - 200,000	61.7%
Setu®	\$100 - 200,000	59.7%
Sayl®	\$100 - 200,000	62.2%
Verus™	\$100 - 200,000	63.7%

SIN 711-99

Product: Selected Exclave™, Locale®, Public Office Landscape®, Resolve® System, and approved Herman Miller Options Products

Standard Lead Time	Single Order Net Purchase	Discount From List
Exclave	\$100 - 50,000	61.7%
Locale	\$100 - 50,000	63.7%
Public Office Landscape	\$100 - 50,000	61.7%
Resolve System	\$100 - 50,000	69.8%
Intent Solution	\$100 - 50,000	58.7%

## 7. Quantity Discounts

Reference item #6.

## 8. Payment Term

Net 30 days

## 9. Government Commercial Credit Card

- Government commercial credit cards are accepted below the micropurchase threshold.
- Government commercial credit cards are accepted above the micropurchase threshold.

## 10. Foreign Items

None

## 11. Time of Delivery

- 90 day ARO
- Expedited delivery: Items listed in the 10-Day section of the catalogs are available for expedited delivery.
- Overnight/2-day delivery: Select items may be available for overnight or 2-day delivery. Contact Herman Miller or a participating dealer for availability and rates.
- Urgent requirements: Agencies may contact contractor or participating dealer to request faster delivery.

# Contract Information

continued

## 12. F.O.B.

F.O.B. destination except Alaska, Hawaii, and Puerto Rico, which will be shipped F.O.B. inland carrier point of exportation.

## 13. Ordering Address

- a. Herman Miller, Inc.,  
Government Customer Care 0161  
855 East Main Avenue  
Zeeland MI 49464.
- b. For supplies and services, the ordering procedures information on Blanket Purchase Agreements (BPA's) and a sample BPA can be found at the GSA/FSS Schedule homepage ([www.fss.gsa.gov/schedules](http://www.fss.gsa.gov/schedules)).

## 14. Payment Address.

Herman Miller, Inc.  
22764 Network Place  
Chicago, IL 60673-1227

## 15. Warranty

Herman Miller, Inc., commercial warranty applies.

## 16. Export Packing Charge

Prices supplied on request.

## 17. Terms and Conditions of Government Purchase Card Acceptance

(any thresholds above the micropurchase level)  
None.

## 18. Rental Maintenance and Repair Terms

Not applicable

## 19. Terms and Conditions of Installation

Installation Services will be provided by Herman Miller, Inc., or its participating dealer based on a fee not to exceed \$55 per hour (\$82.50 per hour for after-hours Installation), which applies to services totaling \$150,000 (per SIN) and below only. Services above \$150,000 shall be negotiated on a case-by-case basis.

Additional Notes for Installation & Reconfiguration and Relocation Services:

FOB Destination (Drop Ship): Price includes product delivery to the site, brought to the tailgate of the truck. The purchaser is responsible for unloading.

Prices effective up to the maximum order by SIN only. Above the MO, pricing shall be negotiated on a case-by-case basis between the client and local dealer.

Standard Services are Subject to the Following Conditions:

Installation will be performed during normal weekday working hours.

Adequate facilities for delivery, unloading, moving and staging/storing the product during the installation process shall be provided.

Service work will not be hindered by other trades.

Electric, heat, and adequate elevator service will be furnished without charge.

The immediate installation area shall be complete and free of debris including the carpet/flooring before installation commences.

Any work requiring a licensed electrician is the responsibility of the buyer.

Additional Charges May Apply For:

Major Metro Markets and any non-ground floor installation.

Major Metro Markets include large population centers and urban environments.

Installation in a clinical/medical environment.

Special restrictions or limits established by local laws, ordinances or the directions of the buyer, including but not limited to restrictions on transportations of materials, street access to the job site and/or dock facilities.

Installations outside of a 50 mile radius of the servicing dealer.

Local Prevailing Wage and/or Union Labor Rates.

Any additional charges shall be quoted by the dealer and approved by the buyer prior to performance of the work.

## 20. Terms and Conditions of Repair Parts

Not applicable

## 21. Service and Distribution Points

For service and distribution points nearest you, call (800) 851 1196.

## 22. Participating Dealers

Access Herman Miller web site for current list of participating dealers: [www.HermanMiller.com/government](http://www.HermanMiller.com/government).

## 23. Preventive Maintenance

Not applicable

## 24a. Special Attributes.

2018

For the 11th consecutive year, Herman Miller received a perfect score on the Corporate Equality Index and we were designated as Best Place to Work for LGBT equality. This report evaluates U.S. companies in terms of diversity, particularly their LGBT-related policies and practices.

# Contract Information

*continued*

2017

Herman Miller was named the 2017 “Corporation of the Year” in the consumer products sector by the Michigan Minority Supplier Development Council (MMSDC).

Herman Miller has received a 2017 SEAL (Sustainability, Environmental Achievement and Leadership) Business Sustainability Award.

Herman Miller has earned the 4 Star Diversity Visionary Award. This award celebrates the diversity, equality, and inclusion work of Herman Miller. The award is presented at the annual Diversity Equity Inclusion Summit, held by the Grand Rapids Area Chamber of Commerce.

Herman Miller named one of the Best and Brightest in Wellness for the fifth year in a row.

Working Mother magazine has recognized Herman Miller as one of the 2017 Working Mother 100 Best Companies.

Herman Miller earned our tenth consecutive perfect score in Human Rights Campaign (HRC) Foundation’s 2017 Corporate Equality Index.

As one of the top-scoring companies in our industry for the thirteenth consecutive year, Herman Miller has qualified for inclusion in RobecoSAM’s 2017 Sustainability Yearbook and received the Bronze Class distinction for our excellent economic, environmental, and social sustainability performance.

Herman Miller has once again earned the WorldatWork Seal of Distinction, a unique standard of excellence in work-life effectiveness that shows we provide a distinct, mutually beneficial workplace experience.

2016

Herman Miller was recognized as the Business of the Year at the Annual Meeting of the West Michigan Environmental Action Council (WMEAC). This award goes to the business with the greatest depth and breadth of support, unwavering dedication to environmental action in West Michigan, and a strong corporate commitment to environmental advocacy.

The 101 Best and Brightest Sustainable Companies once again (fifth consecutive year) recognized Herman Miller as an organization in Michigan (and for the first time, in the nation) that exhibits leadership and innovation in its approach to sustainability.

Herman Miller has been recognized by the Michigan Minority Supplier Development Council (MMSDC), as a “Corporation of the Year”, and we also received a “2016 Excellence in Supplier Diversity Award” from the Great Lakes Women’s Business Council. Additionally, we are the only West Michigan company this year to receive an “Ambassadors Championing Excellence” Award from the MMSDC.

Plex Lounge Furniture from Herman Miller receives #MetropolisLikes award at NeoCon 2016.

Plex Lounge Furniture from Herman Miller receives Interior Design HiP Award for Workplace Seating/Lounge at NeoCon 2016.

Spot Stools from Herman Miller Collection receive Interior Design HiP Award for Hospitality Seating at NeoCon 2016.

Herman Miller has been named a 2020 Women on Boards Winning Company. Companies selected for this recognition are considered champions of board diversity as 20 percent or more of their board seats are occupied by women.

Herman Miller selected for inclusion in the 2016 RobecoSAM Sustainability Yearbook for twelfth consecutive year.

Herman Miller again earns the WorldatWork Work-Life 2016 Seal of Distinction. This award identifies organizations that focus on programs that promote work-life balance and overall well-being.

2015

Herman Miller earns ninth consecutive perfect score in Human Rights Campaign (HRC) Foundation’s 2016 Corporate Equality Index and we were designated as Best Place to Work for LGBT equality.

This is the fourth consecutive year that Herman Miller was named one of Michigan’s Best and Brightest Sustainable Companies.

Herman Miller has received the Best and Brightest in Wellness Award for the third year in a row. This program is an innovative initiative that recognizes and celebrates quality and excellence in health awareness.

Herman Miller received the Forest Stewardship Council (FSC) Leadership Award for longstanding commitment to manufacturing with wood sourced from responsibly managed forests, which reduces environmental impacts by protecting against deforestation and forest degradation.

Herman Miller accepted its second Excellence in Reusable Packaging Award from the Reusable Packaging Association.

Herman Miller has once again been recognized for its commitment to best-in-class economic, environmental, and societal sustainability, earning a spot on the prestigious Dow Jones Sustainability Index (DJSI) for the twelfth consecutive year. We are the only contract furniture company recognized globally for its corporate sustainability leadership.

Herman Miller selected for inclusion in the 2015 RobecoSAM Sustainability Yearbook; awarded Bronze Class distinction for excellent sustainability performance for the second consecutive year.

# Contract Information

*continued*

Herman Miller received a Michigan Business Pollution Prevention (MBP<sub>3</sub>) Certificate – a recognition given by the Michigan Department of Environmental Quality (MDEQ) to organizations committed to environmental stewardship, conservation, and sustainable operations. This basic partnership with the MDEQ, which we've maintained since 1998, makes us eligible for our Clean Corporate Citizen (CCC) status that began in 2004 and our Environmental Leader status, which we received for the first time this past year.

MedAssets named Herman Miller Healthcare as Platinum Suppliers. MedAssets, a large group purchasing organization, helps providers enhance operational and financial performance so they can sustainably serve the needs of their community.

Herman Miller honored with five of 20 spots for the Michigan Environmental Leaders Award by the Michigan Department of Environmental Quality for our outstanding, voluntary environmental stewardship.

Renew Sit-to-Stand tables recognized on Record Products 2014 list by Architectural Record.

Herman Miller was again awarded a perfect score in the 2015 Corporate Equality Index. This is the eighth consecutive year we received a perfect score.

2014

Herman Miller has received the Best and Brightest in Wellness Award for the second year in a row. This program is an innovative initiative that recognizes and celebrates quality and excellence in health awareness.

Herman Miller's Locale wins International Design Excellence Awards (IDEA) Gold in the Office & Productivity category.

Herman Miller achieves eleventh consecutive listing on Dow Jones Sustainability World Index, an international stock portfolio that evaluates the annual performance of the world's largest 2500 companies using economic, environmental, and social criteria, known as the "triple bottom line" of sustainability.

2013

Herman Miller achieves tenth consecutive listing on Dow Jones Sustainability World Index.

Herman Miller has received the Best and Brightest in Wellness Award. This program is an innovative initiative that recognizes and celebrates quality and excellence in health awareness.

Herman Miller Earns Perfect Score on the Corporate Equality Index. We are one of only 303 major U.S. businesses to receive a perfect score in 2013, an achievement we have now obtained seven years in a row.

Herman Miller is listed in Forbes Magazine inaugural "Platinum List" of America's 400 best managed, large companies.

For the second consecutive year, Herman Miller is honored as one of West Michigan's "101 Best and Brightest Sustainable Companies".

2012

Herman Miller accepted its first Excellence in Reusable Packaging Award from the Reusable Packaging Association.

Herman Miller is named "Corporation of the Year" in the commercial products sector by the Michigan Minority Supplier Development Council.

In July 2012 Herman Miller was inducted into the Made in the USA Hall of Fame. Herman Miller is one of only 20 companies across the nation to receive this distinction.

Herman Miller achieves ninth consecutive listing on Dow Jones Sustainability World Index.

Herman Miller is honored as one of West Michigan's 101 Best and Brightest Sustainable Companies.

The Sustainable Asset Management (SAM) group selected Herman Miller for inclusion in "The Sustainability Yearbook 2012" and has awarded Herman Miller both the "SAM Sector Leader" and "SAM Sector Mover" distinctions.

Herman Miller was named one of 16 Section Leaders on Climate Counts 2011-2012 Scorecard Report, making us the industry leader for Home and office Furnishings.

SGS International Certification Services, Inc., recognizes Herman Miller's manufacturing sites, Midwest Distribution Center, and Design Yard for initial certification to the OHSAS 18001 standard as well as re-certification to ISO 14001.

2011

Trust Across America, a company dedicated to unraveling the complexities of trustworthy business behavior, listed Herman Miller as one of their "Top Ten Most Trustworthy Companies in America 2011."

The U.S. Environmental Protection Agency (EPA) selected Herman Miller, as a WasteWise Gold Achievement—Climate Change winner.

Herman Miller achieves eighth consecutive listing on Dow Jones Sustainability World Index, an international stock portfolio that evaluates the annual performance of the world's largest 2500 companies using economic, environmental, and social criteria, known as the "triple bottom line" of sustainability.

The Michigan Minority Supplier Development Council (MMSDC) named Herman Miller as its "Corporation of the Year" in the commercial products sector. This was the fifth time Herman Miller has received this award since 2005.



# Contract Information

*continued*

Herman Miller accepted its third Neighborhood Environmental Partners (NEP) award from the Michigan Department of Natural Resources and Environment.

Herman Miller receives the Reader's Choice award from TreeHugger's Best of Green: Design and Architecture category for the SAYL chair.

Herman Miller earns Citibank's Global Environmental Vendor of the Year award.

The SAYL chair from Herman Miller was dubbed the "Product Design of the Year" from the 2010 International Design Awards (IDA) jury.

Herman Miller Healthcare's Compass system was awarded a 2011 Medical Design Excellence Award (MDEA) for its research-based design and ability to be used in a variety of healing spaces, while simultaneously improving the overall delivery of healthcare.

The Sustainable Asset Management (SAM) Group selected Herman Miller for inclusion in the "Sustainability Yearbook 2011" and awarded us both the "SAM Sector Leader" and "SAM Sector Mover" distinctions.

Herman Miller has received the top rating for a fourth consecutive year in the Human Rights Campaign (HRC) Foundation's eighth annual Corporate Equality Index. The "Best Places to Work for LGBT Equality" distinction is awarded to businesses that scored 100% on the HRC Foundation's 2011 Corporate Equality Index.

Herman Miller again tops contract furniture industry in FORTUNE's "Most Admired" Companies survey. For the 23rd time in 25 years.

2010

The NASDAQ OMX CRD Global Sustainability Index (QCRD) has included Herman Miller among their top 100 companies in the world.

Herman Miller achieves seventh consecutive listing on Dow Jones Sustainability World Index, an international stock portfolio that evaluates the annual performance of the world's largest 2500 companies using economic, environmental, and social criteria, known as the "triple bottom line" of sustainability. Herman Miller is one of approximately 300 companies worldwide and the only contract office furniture manufacturer, selected for this index.

Herman Miller has been recognized by Fast Company magazine as one of its 2010 Most Innovative Companies and among the more select Innovation All-Stars.

The U.S. Environmental Protection Agency's Office of Resource Conservation and Recovery has selected Herman Miller to receive the 2010 WasteWise Gold Achievement Award for Green Purchasing.

The Michigan Department of Natural Resources and Environment (MDNRE) has recognized Herman Miller's West Michigan manufacturing sites and Midwest Distribution Center as continuing Clean Corporate Citizens.

Herman Miller makes the U.S. Environmental Protection Agency's (EPA) list of the top fifty users of renewable electricity, of more than 1,200 organizations participating in the Green Power Partnership. This is the second consecutive time Herman Miller was recognized. Herman Miller was the only furniture manufacturer on the list.

Herman Miller accepted its second Neighborhood Environmental Partners (NEP) award from the Michigan Department of Natural Resources and Environment.

For the 22nd time in 24 years, Herman Miller was awarded the No. 1 industry ranking in a survey among the executives and board members of peer companies and independent industry analysts, as published in FORTUNE magazine's annual "Most Admired" companies feature.

The Michigan Department of Environmental Quality (MDEQ) recognizes Herman Miller's GreenHouse as one of Michigan's top environmental performers with a Clean Corporate Citizen (C3) longevity award. This recognizes that the GreenHouse has maintained its C3 designation for the past five years.

For the third year in a row, Herman Miller makes FORTUNE magazine's "100 Best Companies to Work For" list. Herman Miller is one of only three Michigan-based companies to make the list.

## **24b. Section 508 Compliance**

Not applicable

## **25. Data Universal Numbering System (DUNS): 00-601-2801**

## **26. Registered in System for Award Management (www.SAM.gov) Database**

## **27. Cancellation**

Prior to production, no cancellation charge will apply. After production, only actual cost incurred that the contractor can demonstrate if items are sold after 3 months.

## **28. Restocking Charges**

Agencies must notify the contractor for authorization prior to returning any items. The customer agency will be required to pay all packaging and return freight charges. A restocking fee of 50% for Systems Furniture and 35% for all other product lines will be charged for any returned items.

## **Herman Miller Miscellaneous Information:**

Federal ID Number: 38-0837640

Commercial and Government Entity Code (CAGE): 40636

Data Universal Numbering System (DUNS) 00-601-2801

Commercial Entity Code (CEC): 00702290J



<b>Introduction</b>	<b>page 2</b>
<b>Thrive® Portfolio</b>	<b>3</b>
Technology Support	5
Power and Data Support	27
Screens	80
Personal Lighting	87
Work Tools	89
<b>Indices</b>	<b>137</b>
By Name	137
By Number	139
<b>Appendices</b>	
20-Day or Less/Assigned Lead-Time Order Information	
Customer's Own Material Order Information - Workspaces	
Proprietary Textiles Application Chart - Workspaces	
Proprietary Textile Colors - Workspaces	
<b>For the latest materials information, refer to the Materials pages on <a href="http://HermanMiller.com">HermanMiller.com</a>.</b>	

# Introduction

## A Note on the Organization of This Book

There are a few signals that will help you understand the organization of this book. Once you know them, you should be able to find your way around easily.

### Like a newspaper, this book is formatted with columns of text and illustrations that run vertically.

Information wraps from one column to the next and continues for as many pages as it needs to.

### Black bars are clues.

A black bar at the top of a page signals the start of information about a product.

This information is divided into two sections, each signaled by a black bar. Product Information includes a description, additional notes, and dimensional drawings. Specification Information, which always begins at the top of a column, includes a series of steps. Each step represents a decision you need to make in order to complete your product number. Steps must be followed sequentially. The number of pages needed to complete information on a product varies; some will be complete in one page; others may fill three or four pages. Just continue going through the steps until you run into the next product, signaled by the black bar at the top of the page.

Black tabs running along the outside edge of the page help you locate what section you are in or what section you want to go to. You can thumb forwards or backwards to find a section; tabs and text appear on both sides of the page.

The additional pages in the back of the book include the appendices and indices. They are signaled by a long black bar running along the outside edge of the page.

### The index is presented two ways.

The first index is in alphabetical order by product name. It can be helpful if you are new to the products and numbering scheme or if you are looking for a type of product, such as work chair or round table.

The second index is by product number. It lists, in alphanumeric order, the base product number, typically a five-digit number.

## General Information

This book is effective April 2, 2018, subject to change without notice. Products may be purchased from authorized Herman Miller dealers who will quote prices upon request. For more information about our products and services or to see a list of dealers, visit [www.HermanMiller.com](http://www.HermanMiller.com).


All prices are list prices. Additional services, such as planning services, design, storage, and installation, are not included and must be added to these prices when the additional services are requested.


Illustrations, specifications, and prices are based on the latest information at the time of publication. The right is reserved to make changes at any time without notice in prices, fabrics, finishes, materials, specifications, and models, and also to discontinue models and finishes.

Dimensions shown in the drawings are engineering drawing dimensions rounded up to the nearest  $\frac{1}{8}$ ". Product is shipped set up or knocked down. Products that include "Shipped knocked down" in the description require some assembly. If this statement does not appear in the description, the product is shipped assembled.

Service problems are normally handled by a Herman Miller authorized dealer. Where this cannot be accomplished on a local level, service problems should be referred to the Customer Care Representative for your region, Herman Miller, Inc., Zeeland, Michigan 49464.

### 20-Day or Less/Assigned Lead-Time Shipments

All products and options in this price book not designated by an Assigned Program icon  will ship in **20 business days or less** after being acknowledged by Herman Miller.

Products and options designated by an  are on the assigned lead-time program and may ship in 20 days, less than 20 days, or more than 20 days from order acknowledgement.

**Technology Support**

**Power and Data Support**

**Screens**

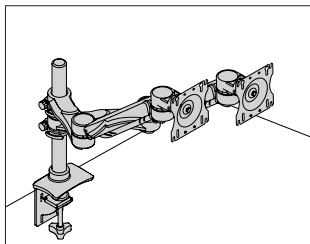
**Personal Lighting**

**Work Tools**





# Concerto Modular Monitor Arm Assembly Y91179



## Product Information

### Description

This modular monitor arm assembly is the GSA approved solution for supporting 1, 2, or 4 monitors from 1 post. Each monitor arm moves 180° side-to-side, tilts 180°, rotates up to 360°, and has a quick disconnect feature. Assembly includes a Concerto post, 1, 2, or 4 dynamic adjustable Concerto modular monitor arms, and a bracket that attaches the assembly to the surface.

### Notes

This is a Thrive® Portfolio monitor arm assembly for GSA customers.

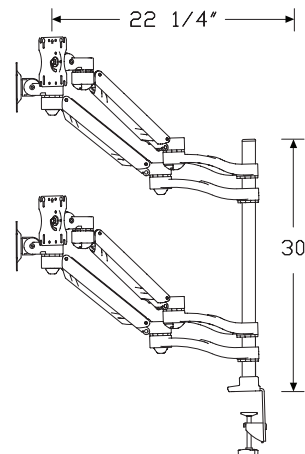
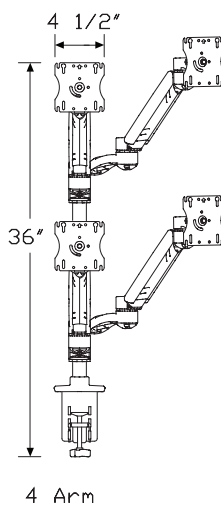
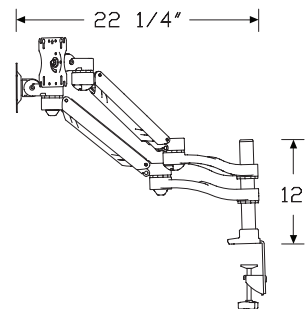
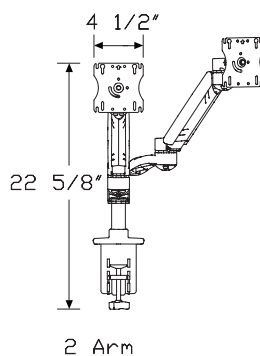
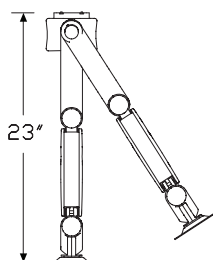
Each monitor arm supports a monitor weight ranging from 5-20 pounds. 100mm and 75mm VESA compliant.

Surface clamp mount (CM) attachment option also ships with a grommet mount.

To add more arms to an assembly, order Concerto modular monitor arm-arm only (Y91190.) separately.

For a GSA approved laptop mount, order Concerto laptop mount (Y91191.) separately.

## Dimensions



# Concerto Modular Monitor Arm Assembly *continued*

## Specification Information

### Step 1.

**Y91179.**  A

### Step 2. Post Height

**12** 12" high  A

**30** 30" high  A

### Step 3. Number of Monitor Arms

#### *For 12" high (12)*

**1** 1 arm  A

**2** 2 arms  A

#### *For 30" high (30)*

**4** 4 arms  A

### Step 4. Attachment Bracket

**CM** surface clamp mount  A

### Prices for Steps 1-4.

	<b>CM</b>
<b>Y91179. 12 1</b>	\$367
<b>2</b>	\$701
<b>30 4</b>	\$1200

### Step 5. Finish

**0I** silver  A +\$0

**0J** white  A +\$0

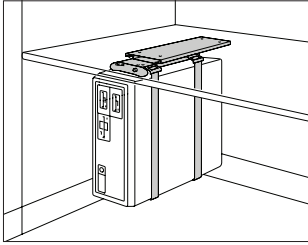
**0H** black  A +\$0

**0P** polished aluminum  A +\$40



# CPU Holder

Y7813.



### Product Information

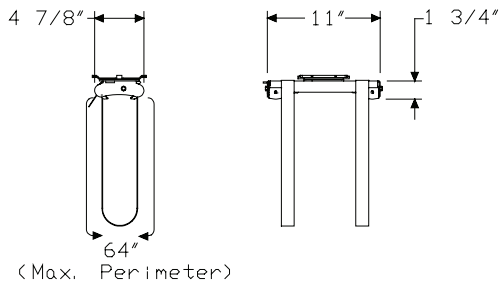
#### Description

This black holder mounts under a work surface and holds a central processing unit (CPU) in a vertical position. The holder slides out 11½" and swivels 360° for easier connections at the back of the CPU. Straps on the holder support a CPU of up to 75 pounds and a maximum outside dimension of 64". A wrench is included to adjust the straps; the wrench stores within the holder. The holder has an 18"-long track. Attachment hardware is included.

#### Notes

Bottom of work surface cannot have any bracing or obstruction.

#### Dimensions



### Specification Information

#### Step 1.

Y7813. A

#### Step 2. Usage

V vertical

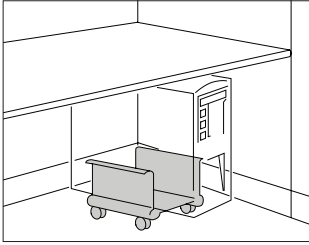
#### Prices for Steps 1-2.

Y7813. V

\$233

CPU Holder, Mobile

Y7812.

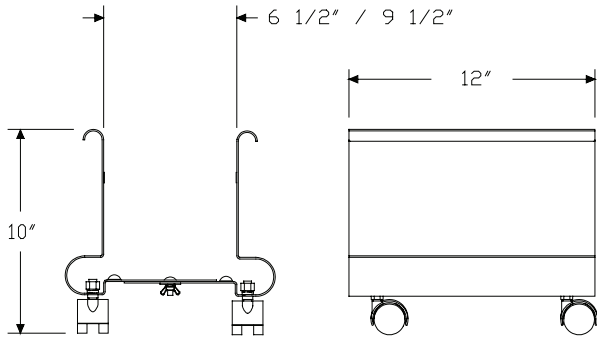


Thrive® Technology Support

**Product Information**

**Description**  
 This mobile unit holds a central processing unit (CPU) in a vertical position. It is 12" deep and 10" high (including casters). The holder expands from 6½" to 9½" wide and supports a CPU of up to 60 pounds. It has foam straps to protect the CPU. Casters are black.

**Dimensions**

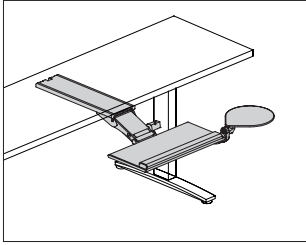


**Specification Information**

**Step 1.**  
**Y7812.** \$184

**Step 2. Finish**

<b>91</b>	white	+\$0
<b>BU</b>	black umber	+\$0
<b>CL</b>	cool grey neutral	+\$0
<b>CN</b>	metallic champagne	+\$0
<b>EH</b>	metallic bronze	+\$0
<b>G1</b>	graphite	+\$0
<b>LU</b>	soft white	+\$0
<b>MS</b>	metallic silver	+\$0
<b>WN</b>	warm grey neutral	+\$0



**Product Information**

**Description**

The LS series of keyboard solutions feature an innovative, slim profile keyboard mechanism and platforms that accommodate virtually any application. The LS mechanism has an  $8\frac{7}{8}$ " height range;  $2\frac{3}{8}$ " above the track and  $6\frac{1}{2}$ " below the track, making the LS mechanism ANSI/HFES 100-2007 compliant. The LS mechanism has a dial-a-tilt range of  $+15^\circ/-20^\circ$  and stores neatly beneath the work surface within 2" of space.

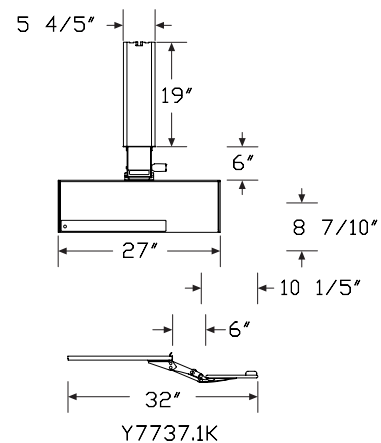
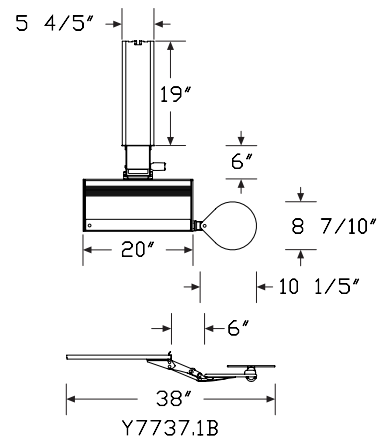
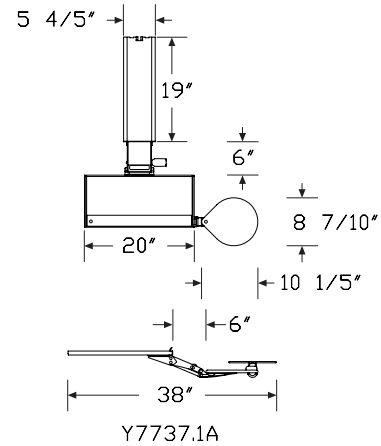
Each keyboard solution is available with 3 specifiable track lengths to accommodate varying work surface depths. The comfort surface tray is an ideal solution for ergonomic keyboards.

**Notes**

White keyboard mechanism only allows aluminum and white trays to be used.

For all mechanism colors, track color is black.

**Dimensions**



# LS Series Keyboard Solutions

continued

Thrive® Technology Support

## Specification Information

### Step 1.

**Y7737.**

### Step 2. Track Length

- 1** 17"-long track
- 2** 19"-long track
- 3** 21<sup>3</sup>/<sub>4</sub>"-long track

### Step 3. Keyboard Platform

- A** 20" HDPE tray with adjustable mouse tray
- B** 20" aluminum tray with adjustable mouse tray
- C** 22" plastic tray with adjustable mouse tray
- D** 22" plastic tray with swivel mouse tray
- G** 20" HDPE tray with swivel mouse tray
- H** comfort surface tray with mouse tray/house
- J** 20" aluminum tray with swivel mouse tray
- K** 27" HDPE tray
- M** mini HDPE tray with swivel mouse
- N** mini HDPE tray with height adjustable mouse
- P** white phenolic tray with swivel mouse tray
- Q** white phenolic tray with adjustable mouse tray

### Prices for Steps 1-3.

	<b>A</b>	<b>B</b>	<b>C</b>	<b>D</b>	<b>G</b>	<b>H</b>
<b>Y7737. 1</b>	\$386	436	376	355	366	392
<b>2</b>	\$404	452	392	371	381	409
<b>3</b>	\$419	469	409	386	399	424

	<b>J</b>	<b>K</b>	<b>M</b>	<b>N</b>	<b>P</b>	<b>Q</b>
<b>Y7737. 1</b>	\$419	376	366	386	366	386
<b>2</b>	\$436	392	381	404	381	404
<b>3</b>	\$452	409	399	419	399	419

### Step 4. Keyboard Mechanism Color

For 20" HDPE tray with adjustable mouse tray (A), 22" plastic tray with adjustable mouse tray (C), 22" plastic tray with swivel mouse tray (D), 20" HDPE tray with swivel mouse tray (G), comfort surface tray with mouse tray/house (H), 27" HDPE tray (K), mini HDPE tray with swivel mouse (M), or mini HDPE tray with height adjustable mouse (N)

**0H** black +\$0

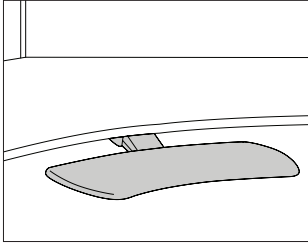
For 20" aluminum tray with adjustable mouse tray (B) or 20" aluminum tray with swivel mouse tray (J)

**0H** black +\$0

**0J** white +\$0

For white phenolic tray with swivel mouse tray (P) or white phenolic tray with adjustable mouse tray (Q)

**0J** white +\$0



**Product Information**

**Description**

This keyboard support has a track and a separate platform. The support adjusts  $8\frac{1}{4}$ " above the track and  $5\frac{7}{8}$ " below the track (total range of  $14\frac{1}{8}$ ") to provide sit-to-stand capability. A torsion spring helps offset keyboard weight during height adjustment. A tilt knob provides independent tilt adjustment from  $-15^\circ$  to  $10^\circ$ . A glide track system allows easy movement, and the support swivels 360 degrees for storage beneath the work surface. Attachment hardware is included. Shipped knocked down.

The concave platform attaches to a boomerang™, rectangular, or corner work surface. It has a wider surface that holds a keyboard and mouse, a laptop computer, or other input device. The routed edge on the platform makes it easy to grasp and move. Each platform has 4 clips that attach along the routed edge. The clips hold cords in place and keep a keyboard from sliding off the platform when tilted backward. The concave platform is available in 2 shapes: the concave platform with notched corners (Y7724.A) fits into the contour of a 24"-deep × 36"-wide corner work surface. The concave platform (Y7724.B) fits into the contour of a concave work surface. Each concave platform has a laminate or formcoat® finish.

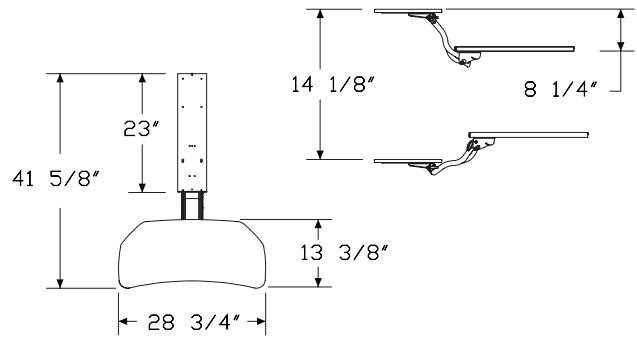
The platform with palm rest and mouse tray attaches to a boomerang, rectangular, or corner work surface. It holds a detached keyboard and mouse. The platform includes 2 wire management clips, 4 anti-skid pads for the keyboard, 1 adhesive mouse keeper to keep the mouse from sliding off the tray when tilted backward, and 1 mouse pad. The mouse tray swivels 360° and tilts forward and backward; it mounts on either side of the platform for right- or left-handed users. The black palm rest is washable foam.

Trays are available in plastic, high-density polyethylene (HDPE), and aluminum with an adjustable or swivel mouse tray.

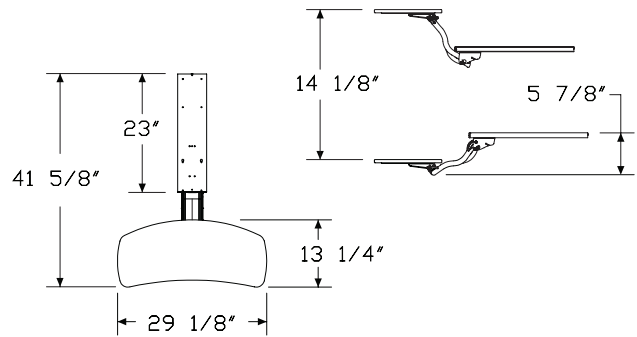
**Notes**

Bottom of work surface cannot have any bracing or obstruction.

**Dimensions**



Platform, Concave with Notched Corners



Platform, Concave

# LX Series Keyboard Solutions

continued

## Specification Information

### Step 1.

**Y7724.**

### Step 2. Type

<b>A</b>	platform, concave with notched corners
<b>B</b>	platform, concave
<b>E</b>	22" plastic tray with adjustable mouse tray
<b>F</b>	22" plastic tray with swivel mouse tray
<b>G</b>	20" HDPE tray with adjustable mouse tray
<b>H</b>	20" HDPE tray with swivel mouse tray
<b>J</b>	20" aluminum tray with adjustable mouse tray
<b>K</b>	20" aluminum tray with swivel mouse tray
<b>L</b>	27" HDPE tray
<b>M</b>	mini HDPE tray with swivel mouse
<b>N</b>	mini HDPE tray with height adjustable mouse

### Step 3. Surface Material

*For platform, concave with notched corners (A) or platform, concave (B)*

<b>L</b>	laminate
<b>T</b>	formcoat®

*For 22" plastic tray with adjustable mouse tray (E), 22" plastic tray with swivel mouse tray (F), 20" HDPE tray with adjustable mouse tray (G), 20" HDPE tray with swivel mouse tray (H), 20" aluminum tray with adjustable mouse tray (J), or 20" aluminum tray with swivel mouse tray (K), skip this step.*

### Prices for Steps 1-3.

	<b>L</b>	<b>T</b>	<b>*</b>
<b>Y7724. A</b>	\$423	445	—
<b>B</b>	\$423	445	—
<b>E</b>	—	—	\$496
<b>F</b>	—	—	\$474
<b>G</b>	—	—	\$507
<b>H</b>	—	—	\$485
<b>J</b>	—	—	\$560
<b>K</b>	—	—	\$540
<b>L</b>	—	—	\$516
<b>M</b>	—	—	\$485
<b>N</b>	—	—	\$496

### Step 4. Platform Finish

#### Solid-Color Laminate

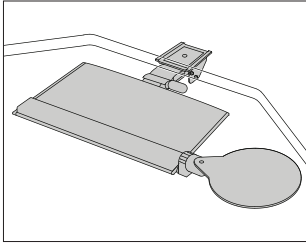
*For laminate (L)*

<b>8Q</b>	folkstone grey	+\$0
<b>CL</b>	cool grey neutral	+\$0
<b>LU</b>	soft white	+\$0
<b>WL</b>	sandstone	+\$0
<b>WN</b>	warm grey neutral	+\$0
<b>X1</b>	chalk white	+\$0

#### Opaque Formcoat®

*For formcoat® (T)*

<b>8Q</b>	folkstone grey	+\$0
<b>BU</b>	black umber	+\$0
<b>CL</b>	cool grey neutral	+\$0
<b>HF</b>	inner tone light	+\$0
<b>LU</b>	soft white	+\$0
<b>WL</b>	sandstone	+\$0
<b>WN</b>	warm grey neutral	+\$0
<b>X1</b>	chalk white	+\$0



**Product Information**

**Description**

This keyboard/mouse support attaches to a surface and holds a detached keyboard. It has horizontal, height, and tilt adjustments and swivels for storage beneath the surface. The support's visual indicators provide information on keyboard height and angle. The tray tilts over a 15° range (0° to -15°). The arm extends 10<sup>3</sup>/<sub>8</sub>" and has an 8<sup>3</sup>/<sub>8</sub>" height range. The mouse tray mounts on either side of the platform for right- or left-handed users. The mouse tray on the aluminum tray with mouse tray easily slides to either side of the platform for right- or left-handed users. Attachment hardware is included. Shipped knocked down.

The high-density polyethylene (HDPE) tray with adjustable mouse tray (Y7727.1A) and the aluminum tray with adjustable mouse tray (Y7727.1B) have a 19"-long track and hold a detached keyboard and mouse. The adjustable mouse tray has height, lateral, and tilt adjustability. The black palm rest is washable foam.

The high-density polyethylene (HDPE) tray with swivel mouse tray (Y7727.1G) and the aluminum tray with swivel mouse tray (Y7727.1I) have a 19"-long track and hold a detached keyboard and mouse. The black palm rest is washable foam.

The comfort surface tray with mouse tray (Y7727.2H) has a 21<sup>3</sup>/<sub>4</sub>"-long track and holds a detached keyboard and mouse with mouse holder. It can be used with a standard keyboard or with a Microsoft Natural® ergonomic keyboard. The platform and mouse tray are covered in urethane and include an integral foam palm rest.

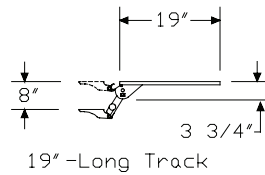
Trays are also available in plastic with an adjustable or swivel mouse tray.

**Notes**

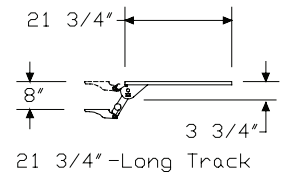
To allow for track installation, bottom of surface cannot have any bracing or obstruction.

Order optional add-on tray (Y7728.) separately.

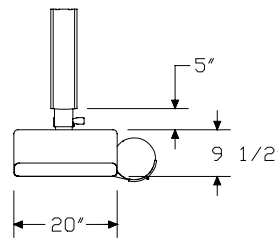
**Dimensions**



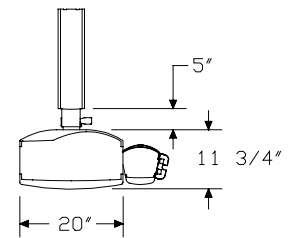
19" -Long Track



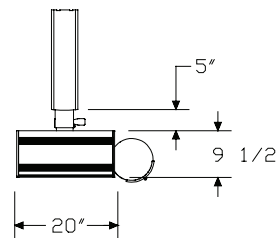
21 3/4" -Long Track



HDPE Tray with Mouse Tray



Comfort Surface Tray with Mouse Tray/House



Aluminum Tray with Mouse Tray

# LT Series Keyboard Solutions

continued

## Specification Information

Step 1.

**Y7727.**

Step 2. Track Length

- 1** 19"-long track
- 2** 21<sup>3</sup>/<sub>4</sub>"-long track

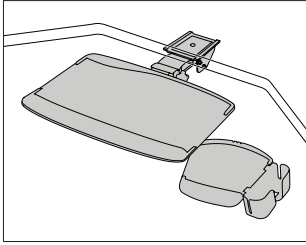
Step 3. Type

- A** HDPE tray with adjustable mouse tray
- B** aluminum tray with adjustable mouse tray
- G** HDPE tray with swivel mouse tray
- H** comfort surface tray with mouse tray/house
- J** aluminum tray with swivel mouse tray
- K** 27" HDPE tray
- M** mini HDPE tray with swivel mouse
- N** mini HDPE tray with height adjustable mouse

Prices for Steps 1-3.

	<b>A</b>	<b>B</b>	<b>G</b>	<b>H</b>	<b>J</b>	<b>K</b>		
<b>Y7727. 1</b>	\$418	530	407	417	517	438		
<b>2</b>	\$435	547	423	434	534	454		
							<b>M</b>	<b>N</b>
<b>Y7727. 1</b>					\$407	418		
<b>2</b>					\$423	435		





**Product Information**

**Description**

This support attaches to a surface and holds a detached keyboard. It has horizontal, height, and tilt adjustments and swivels for storage beneath the surface. The tray tilts over a 30° range (-15° to 15°) and has a 17" or 21 3/4" long track. The arm extends 8 1/2" and has a 6" height range. Attachment hardware is included. Shipped knocked down.

The high-density polyethylene (HDPE) tray with mouse tray (Y7710.A) holds a detached keyboard and mouse. The black palm rest is washable foam.

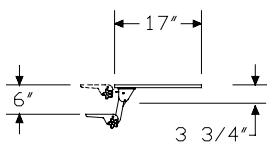
The comfort surface tray with mouse tray (Y7710.B) holds a detached keyboard and mouse with mouse holder. It can be used with a standard keyboard or with a Microsoft Natural® ergonomic keyboard. The tray and mouse tray are covered in urethane and include an integral foam palm rest.

Trays are also available in plastic or aluminum with adjustable or swivel mouse trays.

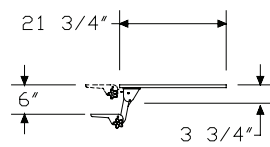
**Notes**

Order optional add-on tray (Y7728) separately.

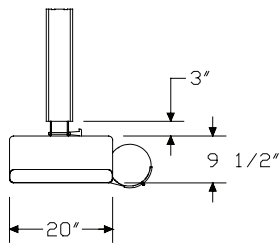
**Dimensions**



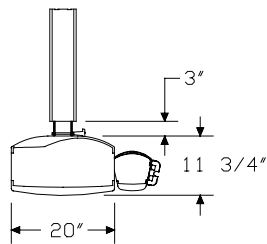
17" -Long Track



21 3/4" -Long Track



HDPE Tray with Mouse Tray



Comfort Surface Tray with Mouse Tray/House

**Specification Information**

**Step 1.**

**Y7710.**

**Step 2. Track Length**

- 1** 17"-long track
- 2** 21 3/4"-long track

**Step 3. Type**

*For 17"-long track (1)*

- A** HDPE tray with mouse tray

*For 21 3/4"-long track (2)*

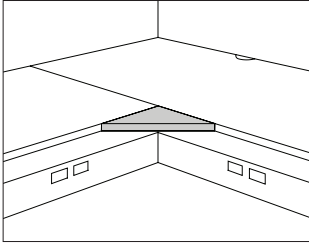
- A** HDPE tray with mouse tray
- B** comfort surface tray with mouse tray/house

**Prices for Steps 1-3.**

	<b>A</b>	<b>B</b>
<b>Y7710. 1</b>	\$359	—
<b>2</b>	\$359	384

# Squared-Edge Corner Wedge

Y2091.



Thrive® Technology Support

## Product Information

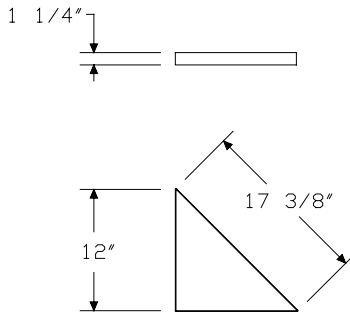
### Description

This wedge attaches to 2 work surfaces at a 90° angle to provide a corner work surface. It can be used with Action Office®, Canvas, and Ethospace® surfaces. The wedge has a laminate top and thermoplastic edge, laminate top with a thermoplastic backed plywood edge, or a veneer top and edge. Attachment hardware is included.

### Notes

Corner wedge can support a keyboard tray attached to the underside of the work surfaces in 90° corner applications.

### Dimensions



## Specification Information

### Step 1.

**Y2091.**

### Step 2. Surface Material

- L** laminate top/thermoplastic edge
- U** laminate top/universal edge
- W** veneer A

### Prices for Steps 1-2.

<b>Y2091. L</b>	\$110
<b>U</b>	\$107
<b>W</b>	\$160

### Step 3.

### Top Finish

*For laminate top/thermoplastic edge (L) or laminate top/universal edge (U)*

<b>76</b>	light brown walnut	+\$0
<b>8Q</b>	folkstone grey	+\$0
<b>91</b>	white	+\$0
<b>98</b>	studio white	+\$0
<b>CL</b>	cool grey neutral	+\$0
<b>HF</b>	inner tone light	+\$0
<b>HM</b>	natural maple	+\$0
<b>HP</b>	light anigre	+\$0
<b>HT</b>	inner tone	+\$0
<b>HX</b>	aged cherry	+\$0
<b>HY</b>	walnut on cherry	+\$0
<b>LA</b>	light ash	+\$0
<b>LBA</b>	clear on ash	+\$0
<b>LBR</b>	phantom ecru	+\$0
<b>LBS</b>	phantom cocoa	+\$0
<b>LBU</b>	medium matte walnut	+\$0
<b>LBV</b>	warm grey teak	+\$0
<b>LBB</b>	oak on ash	+\$0
<b>LBC</b>	walnut on ash	+\$0
<b>LBD</b>	dark brown walnut	+\$0
<b>LBE</b>	medium red walnut	+\$0
<b>LBF</b>	neutral twill	+\$0
<b>LBG</b>	sarum twill	+\$0
<b>LBH</b>	earthen twill	+\$0
<b>LBJ</b>	graphite twill	+\$0
<b>LBK</b>	pewter mesh	+\$0
<b>LBL</b>	steel mesh	+\$0
<b>LBM</b>	crisp linen	+\$0

# Squared-Edge Corner Wedge

continued

<b>LBN</b>	classic linen	+\$0
<b>LBP</b>	casual linen	+\$0
<b>LBQ</b>	white twill	+\$0
<b>LM</b>	mahogany	+\$0
<b>LT</b>	light tone	+\$0
<b>LU</b>	soft white	+\$0
<b>MT</b>	medium tone	+\$0
<b>WL</b>	sandstone	+\$0
<b>WN</b>	warm grey neutral	+\$0

---

## Top/Edge Finish: Recut Veneer

For veneer (W)

<b>RA</b>	light ash <input type="checkbox"/>	+\$0
<b>RK</b>	mahogany dark <input type="checkbox"/>	+\$0
<b>RM</b>	mahogany <input type="checkbox"/>	+\$0
<b>XU</b>	cathedral recut medium red cherry <input type="checkbox"/>	+\$39

---

## Top/Edge Finish: Wood Veneer

For veneer (W)

<b>2U</b>	light brown walnut <input type="checkbox"/>	+\$39
<b>40</b>	dark brown walnut <input type="checkbox"/>	+\$39
<b>ED</b>	aged cherry <input type="checkbox"/>	+\$39
<b>EK</b>	medium red walnut <input type="checkbox"/>	+\$39
<b>EW</b>	medium matte walnut <input type="checkbox"/>	+\$39
<b>ET</b>	clear on ash <input type="checkbox"/>	+\$39
<b>EU</b>	oak on ash <input type="checkbox"/>	+\$39
<b>EV</b>	walnut on ash <input type="checkbox"/>	+\$39
<b>UL</b>	natural maple <input type="checkbox"/>	+\$39
<b>UX</b>	walnut on cherry <input type="checkbox"/>	+\$39

---

## Step 4. Edge Finish

For laminate top/thermoplastic edge (L)

<b>76</b>	light brown walnut	+\$0
<b>8Q</b>	folkstone grey	+\$0
<b>8Z</b>	neutral grey	+\$0
<b>91</b>	white	+\$0
<b>98</b>	studio white	+\$0
<b>BU</b>	black umber	+\$0
<b>CL</b>	cool grey neutral	+\$0
<b>HF</b>	inner tone light	+\$0
<b>HM</b>	natural maple	+\$0
<b>HP</b>	light anigre	+\$0
<b>HT</b>	inner tone	+\$0
<b>HX</b>	aged cherry	+\$0
<b>HY</b>	walnut on cherry	+\$0
<b>JB</b>	millwork cherry	+\$0

<b>LA</b>	light ash	+\$0
<b>LBA</b>	clear on ash	+\$0
<b>LBR</b>	phantom ecru	+\$0
<b>LBS</b>	phantom cocoa	+\$0
<b>LBU</b>	medium matte walnut	+\$0
<b>LBV</b>	warm grey teak	+\$0
<b>LBB</b>	oak on ash	+\$0
<b>LBC</b>	walnut on ash	+\$0
<b>LBD</b>	dark brown walnut	+\$0
<b>LBE</b>	medium red walnut	+\$0
<b>LBF</b>	neutral twill	+\$0
<b>LBG</b>	sarum twill	+\$0
<b>LBH</b>	earthen twill	+\$0
<b>LBJ</b>	graphite twill	+\$0
<b>LBK</b>	pewter mesh	+\$0
<b>LBL</b>	steel mesh	+\$0
<b>LBM</b>	crisp linen	+\$0
<b>LBN</b>	classic linen	+\$0
<b>LBP</b>	casual linen	+\$0
<b>LBQ</b>	white twill	+\$0
<b>LU</b>	soft white	+\$0
<b>MT</b>	medium tone	+\$0
<b>WL</b>	sandstone	+\$0
<b>WN</b>	warm grey neutral	+\$0

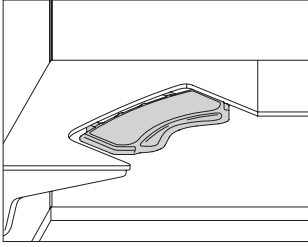
---

For laminate top/universal edge (U)

<b>PLY</b>	plywood edge	+\$50
------------	--------------	-------

# Flex-Edge™ Input Platform

Y7735.



Thrive® Technology Support

## Product Information

### Description

This adjustable platform attaches to a corner work surface with an input platform cutout. The platform has a laminate top. A flexible waterfall front edge supports the user's arms during input and writing tasks, and flexible edges at each side provide protection from pinching between the platform and the adjacent work surface when adjusting the height. A curved edge keeps items from rolling off the back and side edges. The height is adjusted with a paddle under the right side of the platform. The pneumatic assist mechanism allows the user to freely adjust the platform vertically. The platform also tilts 15° forward and 15° backward, using a knob on the right side. Attachment hardware is included.

### Notes

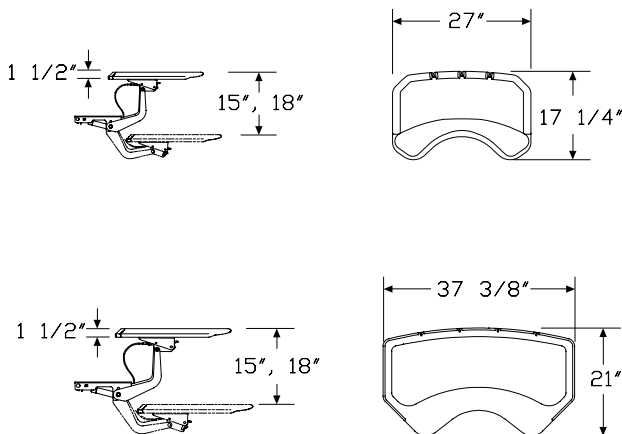
Order corner work surface with input platform cutout (A2336., EWS24., or FTS24.) separately.

Storage products, keyboard tray, and accessories cannot attach to platform.

The 15" of height adjustment range (15) allows platform adjustment from 8" below to 7" above the rear work surface.

The 18" of height adjustment range (18) allows platform adjustment from 6" below to 12½" above the rear work surface.

## Dimensions



## Specification Information

### Step 1.

**Y7735.** A

### Step 2. Flex edge width

**27** 27" wide A

**37** 37" wide A

### Prices for Steps 1-2.

<b>Y7735. 27</b>	\$1250
<b>37</b>	\$1355

### Step 3. Height Adjustment

**15** 15" of height adjustment A +\$0

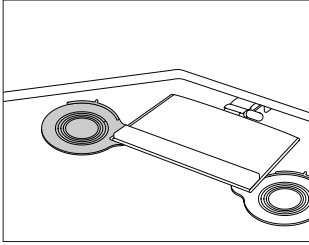
**18** 18" of height adjustment A +\$120

Step 4. Top Finish		
<b>LBM</b>	crisp linen <input type="checkbox"/>	+\$0
<b>LBN</b>	classic linen <input type="checkbox"/>	+\$0
<b>LBP</b>	casual linen <input type="checkbox"/>	+\$0
<b>LBK</b>	pewter mesh <input type="checkbox"/>	+\$0
<b>LBL</b>	steel mesh <input type="checkbox"/>	+\$0
<b>8Q</b>	folkstone grey <input type="checkbox"/>	+\$0
<b>91</b>	white <input type="checkbox"/>	+\$0
<b>98</b>	studio white <input type="checkbox"/>	+\$0
<b>CL</b>	cool grey neutral <input type="checkbox"/>	+\$0
<b>HF</b>	inner tone light <input type="checkbox"/>	+\$0
<b>HT</b>	inner tone <input type="checkbox"/>	+\$0
<b>LU</b>	soft white <input type="checkbox"/>	+\$0
<b>WL</b>	sandstone <input type="checkbox"/>	+\$0
<b>WN</b>	warm grey neutral <input type="checkbox"/>	+\$0
<b>LBF</b>	neutral twill <input type="checkbox"/>	+\$0
<b>LBG</b>	sarum twill <input type="checkbox"/>	+\$0
<b>LBH</b>	earthen twill <input type="checkbox"/>	+\$0
<b>LBJ</b>	graphite twill <input type="checkbox"/>	+\$0
<b>LBQ</b>	white twill <input type="checkbox"/>	+\$0
<b>76</b>	light brown walnut <input type="checkbox"/>	+\$0
<b>HM</b>	natural maple <input type="checkbox"/>	+\$0
<b>HP</b>	light anigre <input type="checkbox"/>	+\$0
<b>HX</b>	aged cherry <input type="checkbox"/>	+\$0
<b>HY</b>	walnut on cherry <input type="checkbox"/>	+\$0
<b>LA</b>	light ash <input type="checkbox"/>	+\$0
<b>LBC</b>	walnut on ash <input type="checkbox"/>	+\$0
<b>LBD</b>	dark brown walnut <input type="checkbox"/>	+\$0
<b>LBE</b>	medium red walnut <input type="checkbox"/>	+\$0
<b>LM</b>	mahogany <input type="checkbox"/>	+\$0
<b>28</b>	canyon <input type="checkbox"/>	+\$0
<b>29</b>	misted <input type="checkbox"/>	+\$0
<b>38</b>	twilight <input type="checkbox"/>	+\$0
<b>39</b>	desert <input type="checkbox"/>	+\$0

Step 5. Edge Finish		
<b>BU</b>	black umber <input type="checkbox"/>	+\$0

# Add-On Tray

Y7728.



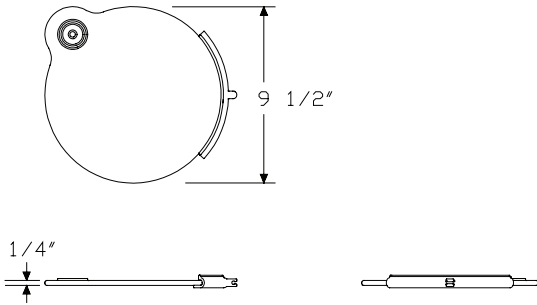
Thrive® Technology Support

## Product Information

### Description

This black plastic tray attaches to a keyboard tray and holds a mouse or other input device. The tray has a mouse fence which can be used for left or right mousing applications and prevents the mouse from sliding off the surface when the keyboard is in a negative tilt. It also has a built-in cord manager. The tray swivels for storage beneath the keyboard and can be installed on the left or right side. Attachment hardware is included.

### Dimensions



## Specification Information

### Step 1.

**Y7728.**

### Step 2. Usage

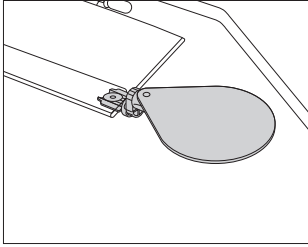
- A** for HDPE keyboard tray
- B** for comfort surface keyboard tray
- C** for aluminum keyboard tray

### Prices for Steps 1-2.

<b>Y7728. A</b>	\$66
<b>B</b>	\$66
<b>C</b>	\$66

# Adjustable Mouse Tray

Y7729.

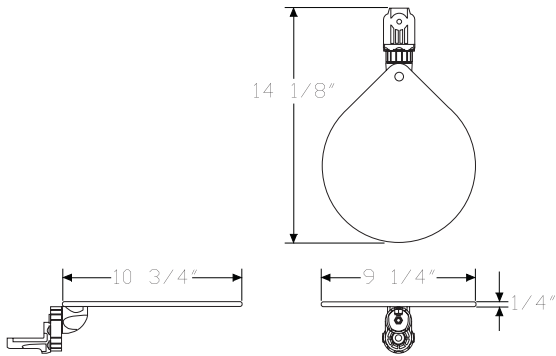


## Product Information

### Description

The adjustable mouse tray attaches to a keyboard tray and holds a mouse or other input device. The adjustable mouse tray has a mouse fence which prevents the mouse from sliding off the surface when the keyboard tray has a negative tilt. The adjustable mouse tray can be adjusted to 6 different positions allowing the mouse tray to be raised above the keyboard tray as well as on the same plane as the keyboard tray. A built in cord manager and attachment hardware are included.

### Dimensions



## Specification Information

### Step 1.

**Y7729.**

### Step 2. Type

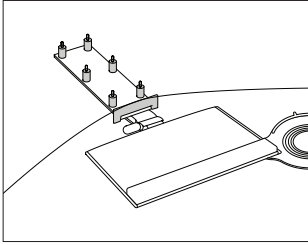
- A** for HDPE keyboard tray
- C** for aluminum keyboard tray

### Prices for Steps 1-2.

<b>Y7729. A</b>	\$104
<b>C</b>	\$104

# Keyboard Track Adapter

Y7793.



Thrive® Technology Support

## Product Information

### Description

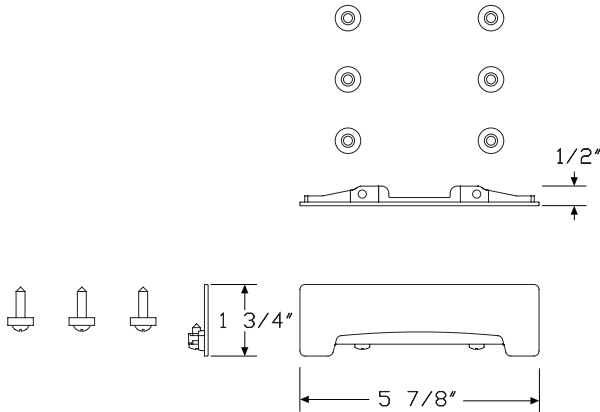
This adapter kit allows a keyboard track to be mounted to the underside of a My Studio Environments™ surface. It lowers the keyboard track by 1 1/8" from the underside of the work surface.

### Notes

Order keyboard support separately:

- LE series keyboard solution (Y7710.)
- LS series keyboard solution (Y7737.)
- LT series keyboard solution (Y7727.)
- LX series keyboard solution (Y7724.)

### Dimensions



## Specification Information

### Step 1.

**Y7793.**

### Step 2. Height

**NT** 1-1/8" high

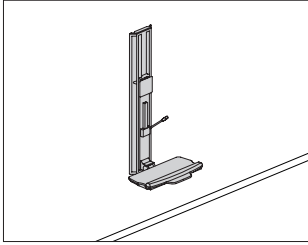
### Prices for Steps 1-2.

**Y7793. NT** \$39



# FX40 Compact Wall-Mount Technology Support

Y94004



## Product Information

### Description

This compact wall-mount technology support is ideal for healthcare or education applications where space is at a premium. This solution provides counterbalanced adjustment through a 12" vertical range and stores within 4" from the wall. The innovated self-storing keyboard surface folds neatly against the track when not in use, and attaches to a 40" wall track. Can be mounted to Compass wall tiles.

CPU supports must be wall mounted when used with FX40. Hardware is included.

### Notes

All painted surfaces are finished with anti-microbial powder coat paint to support infectious control policies.

OSHPD and Engineer certified.

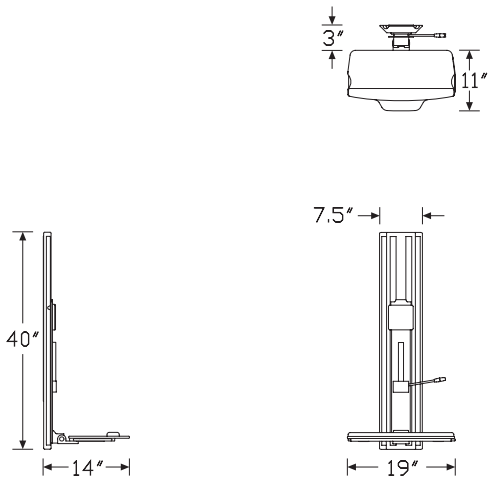
Supports 75mm and 100mm VESA patterns.

Fasteners provided for virtually all applications except masonry surfaces.

CPU supports sold separately:

- Track Mount Small Cradle CPU Support (Y94100.)
- Track Mount Large Cradle CPU Support (Y94101.)
- Track Mount CPU Enclosure (Y94102.)

## Dimensions



## Specification Information

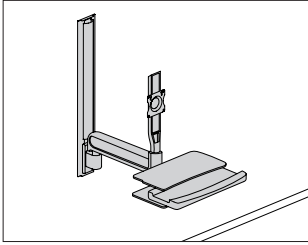
Step 1.

Y94004. A

\$2302

# Mbrace Wall-Mounted Technology Y94015

Thrive® Technology Support



## Product Information

### Description

This wall-mounted technology combo arm allows the keyboard and monitor to effortlessly move together as a single unit, and mounts to either a 34" wall track. This solution can support up to 20 pounds and be adjusted with one hand through 22" of vertical adjustment and 9½" of independent, knob-free monitor adjustment. The monitor float tower and keyboard tray can rotate independently of each other. This solution can also store in as little as 10" of space and can be installed on Compass™ wall tiles and directly to drywall. Rotation limiter and cable management included.

### Notes

All painted surfaces are finished with anti-microbial powder coat paint to support infectious control policies.

OSHDP and Engineer certified.

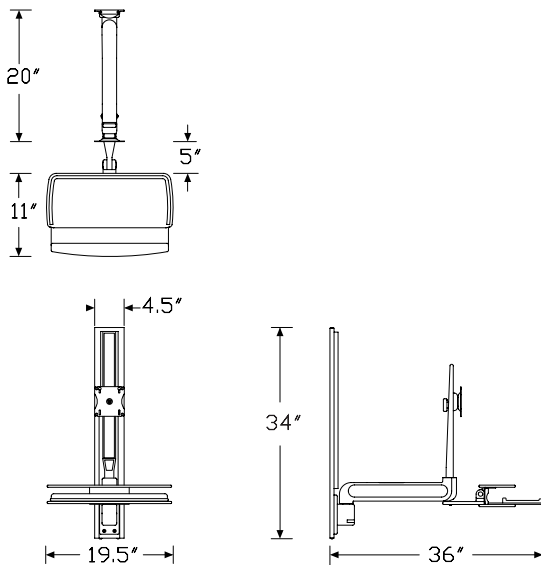
Supports 75mm and 100mm VESA patterns.

Fasteners provided for virtually all applications except masonry surfaces.

Additional accessories sold separately:

- Track Mount Small Cradle CPU Support (Y94100.)
- Track Mount CPU Enclosure (Y94102.)

## Dimensions



## Specification Information

### Step 1.

**Y94015.** A

### Step 2. Track Length

**34** 34" long A

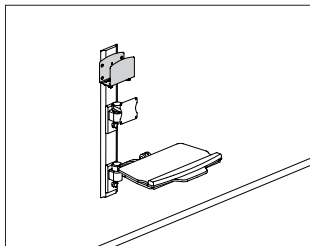
### Prices for Steps 1-2.

**Y94015. 34** \$1900

### Step 3. Arm Finish

**0J** white A + \$0

# Track Mount Small Cradle CPU Support Y94100



## Product Information

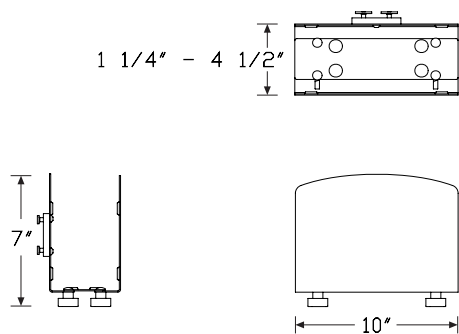
### Description

This track mount CPU cradle is adjustable from 1 1/4" to 4 1/2" wide and can mount to HD, LD and Mbrace wall tracks.

### Notes

Wall mount hardware included.

### Dimensions



## Specification Information

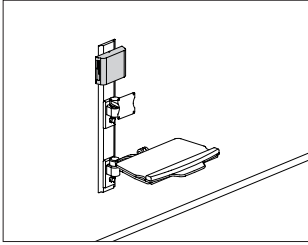
### Step 1.

**Y94100.**  A \$284

### Step 2. Finish

**0I** silver  A +\$0

**0J** white  A +\$0



Thrive® Technology Support

**Product Information**

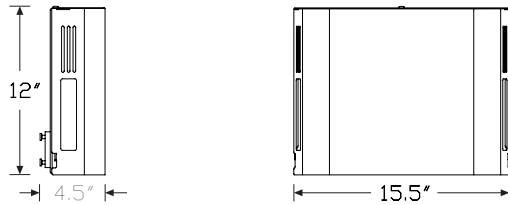
**Description**

This track mount CPU enclosure measures 14" wide by 11" tall and 5" deep, and is designed to prevent tampering with cables and connections. The steel enclosure provides ventilation.

**Notes**

Mounts directly to the wall or 32", 34", or 48" wall tracks.  
Wall mount hardware included.

**Dimensions**



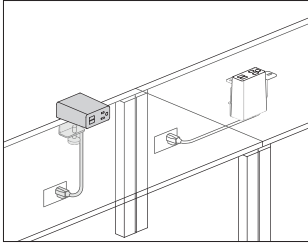
**Specification Information**

**Step 1.**

**Y94102.** A \$496

**Step 2. Finish**

<b>0I</b>	silver	<span style="border: 1px solid black; padding: 0 2px;">A</span>	+\$0
<b>0J</b>	white	<span style="border: 1px solid black; padding: 0 2px;">A</span>	+\$0



**Product Information**

**Description**

This electrical distributor plugs directly into floor, wall, or ceiling drop outlets. Each module configuration presents the same visual appearance. Cable clips and attachment hardware included. Product is UL listed.

**Notes**

Cable clips for cord management are intended for a 1-time installation.

Clamp versions can be reoriented in the field by a technician.

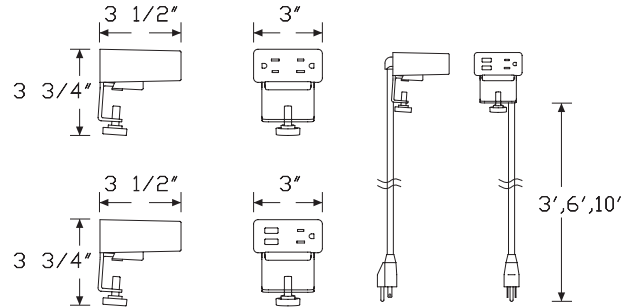
A small LED light illuminates through the USB ports when the USB version is plugged in and powered.

USB ports provide 10-watt power to charge most devices and tablets at full speed.

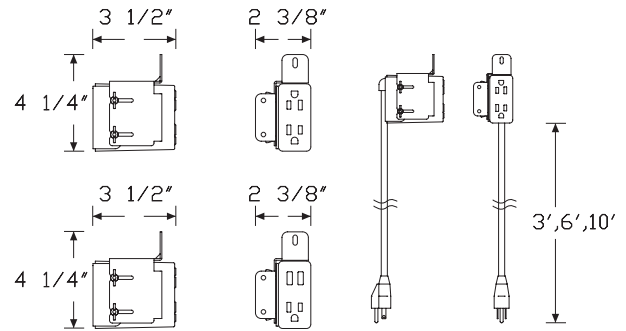
Cord color is predetermined. For white (G1) finish cords will be white. For graphite (G1) finish cords will be black.

Grommet mount attachment (Y1414.xxxG) does not come with the mini grommet. Order Logic mini grommet (Y1412.) separately, as needed.

**Dimensions**



**Surface Clamp**



**Grommet Mount**

**Specification Information**

Step 1.

**Y1414.**  A

Step 2. Configuration

**J** 1 simplex receptacles, 2 powered USB  A

**K** 2 simplex receptacles  A

Step 3. Cord/Conduit Length

**03** 3' cord/conduit  A

**06** 6' cord/conduit  A

**10** 10' cord/conduit  A

Step 4. Attachment

**G** grommet mount  A

**S** surface clamp  A

Prices for Steps 1-4.

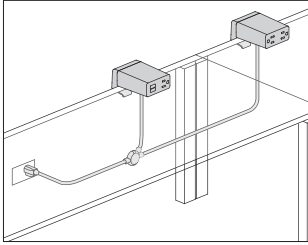
		<b>G</b>	<b>S</b>
<b>Y1414. J</b>	<b>03</b>	\$332	332
	<b>06</b>	\$332	332
	<b>10</b>	\$342	342
	<b>K 03</b>	\$185	185
	<b>06</b>	\$185	185
	<b>10</b>	\$195	195

Step 5. Finish

**91** white  A +\$0

**98** studio white  A +\$0

**G1** graphite  A +\$0



**Product Information**

**Description**

This electrical distributor plugs directly into floor, wall, or ceiling drop outlets. Each module configuration presents the same visual appearance. Cable clips and attachment hardware included. Product is ETL listed to UL962.

**Notes**

Cable clips for cord management are intended for a 1-time installation.

Clamp versions can be reoriented in the field by a technician.

Jumper length denotes distance between center points of each split point.

Cord length denotes distance from plug end to first split point.

All branch lengths from main power cord to module are 12".

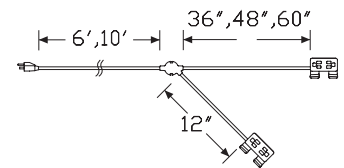
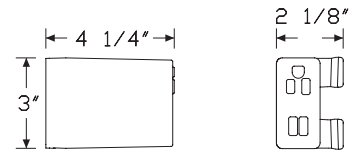
A small LED light illuminates through the USB ports when the USB version is plugged in and powered.

USB ports provide 10-watt power to charge most devices and tablets at full speed.

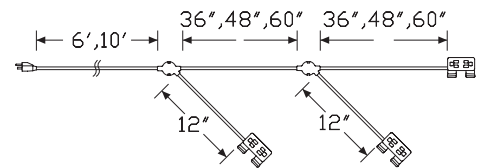
The cord head contains a circuit breaker when there are more than 3 simplex receptacles.

Grommet mount attachment (Y1415.xxxxG) does not come with the mini grommet. Order Logic mini grommet (Y1412.) separately, as needed.

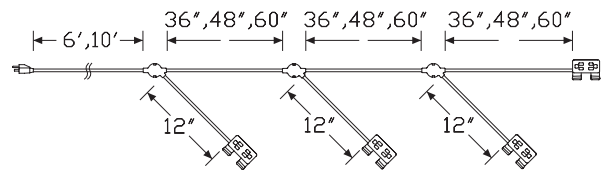
**Dimensions**



Two Power Modules



Three Power Modules



Four Power Modules

**Specification Information**

Step 1.

**Y1415.**  A

Step 2. Number of Modules

**2** two power modules  A

**3** three power modules  A

**4** four power modules  A

Step 3. Power Type

**J** 1 simplex receptacles, 2 powered USB, all modules  A

**K** 2 simplex receptacles, all modules  A

**L** first module has 1 AC plus 2 powered USB all other modules have all AC simplexes  A

Step 4. Jumper Length

**36** 36" between split points  A

**48** 48" between split points  A

**60** 60" between split points  A

Step 5. Attachment

**G** grommet mount  A

**S** surface clamp  A

Step 6. Cord/Conduit Length

**06** 6' cord/conduit  A

**10** 10' cord/conduit  A

Prices for Steps 1-6.

		<b>36G06</b>	<b>36G10</b>	<b>36S06</b>	<b>36S10</b>	<b>48G06</b>	<b>48G10</b>
<b>Y1415. 2</b>	<b>J</b>	\$736	746	736	746	744	754
	<b>K</b>	\$441	451	441	451	449	459
	<b>L</b>	\$588	599	588	599	597	607
<b>3</b>	<b>J</b>	\$1096	1106	1096	1106	1112	1122
	<b>K</b>	\$669	680	669	680	686	696
	<b>L</b>	\$817	827	817	827	833	844
<b>4</b>	<b>J</b>	\$1488	1499	1488	1499	1513	1523
	<b>K</b>	\$898	908	898	908	923	933
	<b>L</b>	\$1046	1056	1046	1056	1070	1080

		<b>48S06</b>	<b>48S10</b>	<b>60G06</b>	<b>60G10</b>	<b>60S06</b>	<b>60S10</b>
<b>Y1415. 2</b>	<b>J</b>	\$744	754	752	763	752	763
	<b>K</b>	\$449	459	457	467	457	467
	<b>L</b>	\$597	607	605	615	605	615
<b>3</b>	<b>J</b>	\$1112	1122	1129	1139	1129	1139
	<b>K</b>	\$686	696	702	712	702	712
	<b>L</b>	\$833	844	850	860	850	860

<b>4</b>	<b>J</b>	\$1513	1523	1548	1558	1548	1558
	<b>K</b>	\$923	933	947	957	947	957
	<b>L</b>	\$1070	1080	1095	1105	1095	1105

Step 7. Finish

**91** white  A +\$0

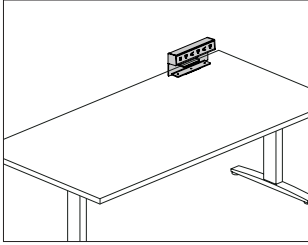
**98** studio white  A +\$0

**G1** graphite  A +\$0



# Logic C1000 Universal Clamp Mount Distributor

Y1423.



## Product Information

### Description

This Logic Power Access Solutions™ clamp mounted electrical distributor comes in several widths and configurations of simplex receptacles and USB charging ports. The unit is powered using a standard power cord with plug end or a hard-wired connection with electrical conduit. Data cords can be routed through the integrated opening at the rear of the unit. Product is UL listed.

### Notes

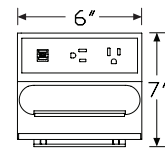
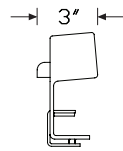
Clamp mounts on worksurfaces 1"-1 1/4" thick.

Faceplate color matches unit color.

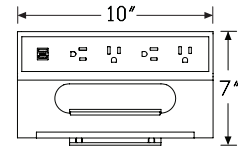
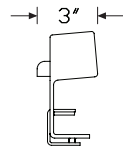
Simplex receptacles have alternating orientation and greater than normal plug spacing to accommodate most plug types.

USB ports supply 10-watt power and will charge most small electronic devices. Software in each device controls that devices ability to accept a charge via USB.

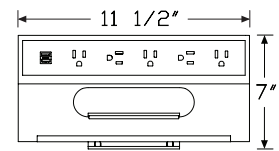
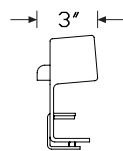
## Dimensions



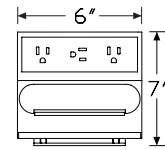
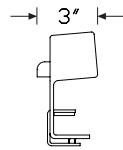
2 simplex receptacles, 2 powered USB



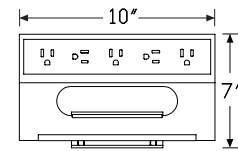
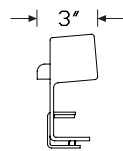
4 simplex receptacles, 2 powered USB



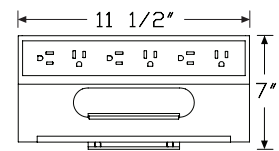
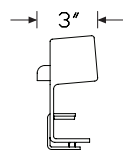
5 simplex receptacles, 2 powered USB



3 simplex receptacles



5 simplex receptacles



6 simplex receptacles

# Logic C1000 Universal Clamp Mount Distributor *continued*

Thrive® Power and Data Support

## Specification Information

### Step 1.

**Y1423.**  A

### Step 2. Configuration

- A** 2 simplex receptacles, 2 powered USB  A
- C** 4 simplex receptacles, 2 powered USB  A
- D** 5 simplex receptacles, 2 powered USB  A
- E** 3 simplex receptacles  A
- F** 5 simplex receptacles  A
- G** 6 simplex receptacles  A

### Step 3. Power Type

- A** power cord with plug end  A
- B** conduit with open end, for hard-wiring  A

### Step 4. Cord/Conduit Length

- 03** 3' cord/conduit  A
- 06** 6' cord/conduit  A
- 10** 10' cord/conduit  A

### Prices for Steps 1-4.

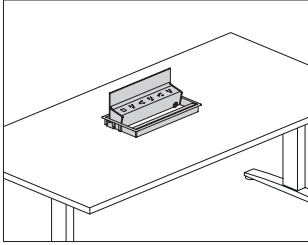
		<b>03</b>	<b>06</b>	<b>10</b>
<b>Y1423. A</b>	<b>A</b>	\$449	449	459
	<b>B</b>	\$498	498	508
<b>C</b>	<b>A</b>	\$539	539	549
	<b>B</b>	\$588	588	599
<b>D</b>	<b>A</b>	\$577	577	587
	<b>B</b>	\$626	626	637
<b>E</b>	<b>A</b>	\$301	301	312
	<b>B</b>	\$351	351	361
<b>F</b>	<b>A</b>	\$392	392	402
	<b>B</b>	\$441	441	451
<b>G</b>	<b>A</b>	\$429	429	440
	<b>B</b>	\$479	479	489

### Step 5. Finish

- 91** white  A +\$0
- 98** studio white  A +\$0
- G1** graphite  A +\$0
- MS** metallic silver  A +\$0

# Logic G1000 Grommet Mounted Electrical Distributor

Y1425.



## Product Information

### Description

This Logic Power Access Solutions™ grommet mounted electrical distributor comes in several widths and configurations of simplex receptacles and USB charging ports. The unit is powered using a standard power cord with plug end, a hard-wired connection with electrical conduit, or an IEC connector when used with Renew™ Sit-to-Stand tables. An integrated cord keeper at the face of the unit captures data cords. The unit pivots from a closed position to 135° allowing easy access to power and data cords stored beneath the unit. Product is UL listed.

### Notes

Field cutting of grommet cutout is possible.

IEC connector for Renew power type (C) includes short cord designed to connect to the Renew table power cord through-leg option. Actual cord length may vary.

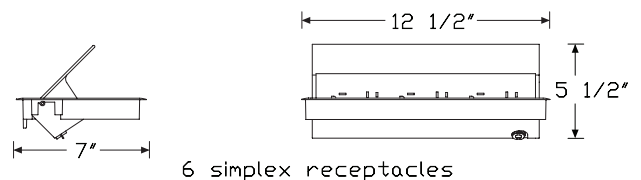
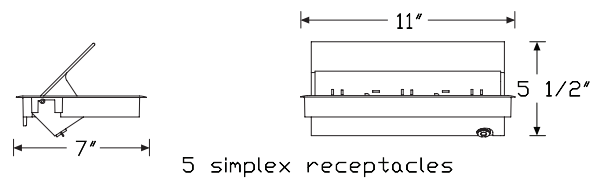
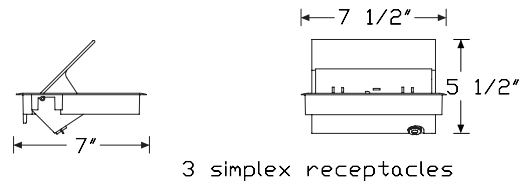
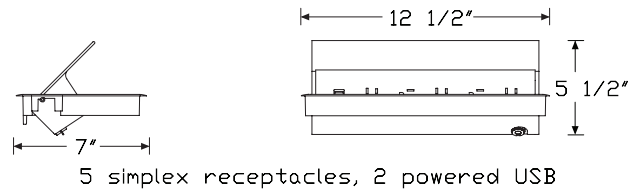
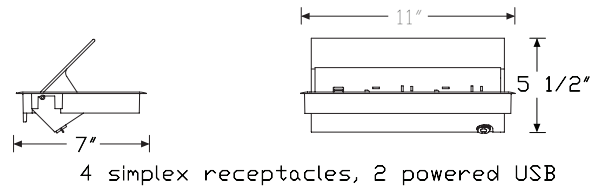
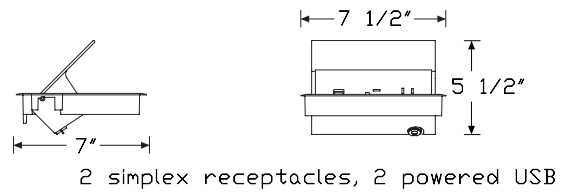
Simplex receptacles have alternating orientation and greater than normal plug spacing to accommodate most plug types.

USB ports supply 10-watt power and will charge most small electronic devices. Software in each device controls that devices ability to accept a charge via USB.

Refer to Renew™ Sit-to-Stand Tables and Locale® planning guides for specific application information.

20' cord/conduit length (20) is recommended for Exclave® applications.

## Dimensions



# Logic G1000 Grommet Mounted Electrical Distributor *continued*

Thrive® Power and Data Support

## Specification Information

### Step 1.

**Y1425.**  A

### Step 2. Configuration

- A** 2 simplex receptacles, 2 powered USB  A
- C** 4 simplex receptacles, 2 powered USB  A
- D** 5 simplex receptacles, 2 powered USB  A
- E** 3 simplex receptacles  A
- F** 5 simplex receptacles  A
- G** 6 simplex receptacles  A

### Step 3. Power Type

- A** power cord with plug end  A
- B** conduit with open end, for hard-wiring  A
- C** IEC connector for Renew Tables  A

### Step 4. Cord/Conduit Length

#### *For power cord with plug end (A)*

- 03** 3' cord/conduit  A
- 06** 6' cord/conduit  A
- 10** 10' cord/conduit  A

#### *For conduit with open end, for hard-wiring (B)*

- 03** 3' cord/conduit  A
- 06** 6' cord/conduit  A
- 10** 10' cord/conduit  A

#### *For IEC connector for Renew Tables (C)*

- 03** 3' cord/conduit  A

### Prices for Steps 1-4.

		03	06	10
<b>Y1425. A</b>	<b>A</b>	\$639	639	649
	<b>B</b>	\$688	688	698
	<b>C</b>	\$649	—	—
<b>C</b>	<b>A</b>	\$741	741	751
	<b>B</b>	\$790	790	801
	<b>C</b>	\$751	—	—
<b>D</b>	<b>A</b>	\$807	807	817
	<b>B</b>	\$856	856	866
	<b>C</b>	\$817	—	—
<b>E</b>	<b>A</b>	\$491	491	501
	<b>B</b>	\$540	540	550
	<b>C</b>	\$501	—	—

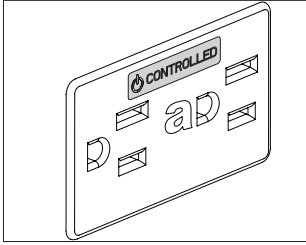
<b>F</b>	<b>A</b>	\$593	593	604
	<b>B</b>	\$643	643	653
	<b>C</b>	\$604	—	—
<b>G</b>	<b>A</b>	\$659	659	669
	<b>B</b>	\$708	708	719
	<b>C</b>	\$669	—	—

### Step 5. Finish

<b>91</b>	white <input type="checkbox"/> A			+\$0
<b>98</b>	studio white <input type="checkbox"/> A			+\$0
<b>G1</b>	graphite <input type="checkbox"/> A			+\$0
<b>MS</b>	metallic silver <input type="checkbox"/> A			+\$0

Controlled Receptacle Decal  
(12 per sheet)

G9999.

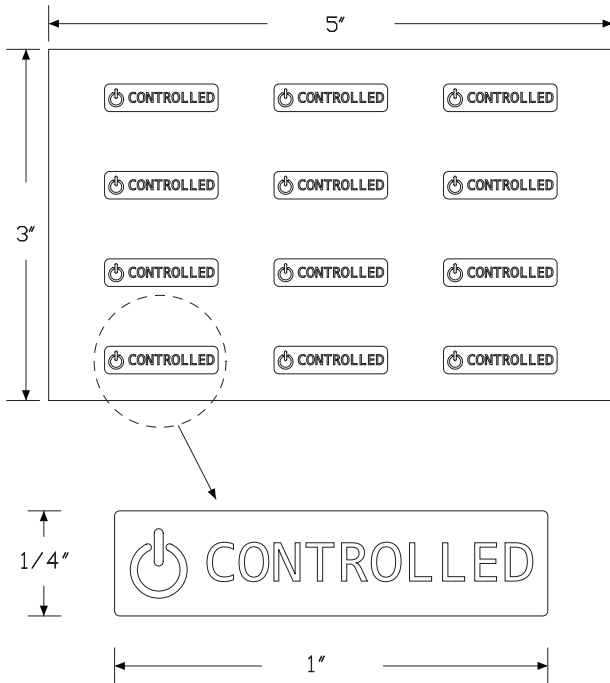


**Product Information**

**Description**

This decal is to be used for ASHRAE90.1 and Title 24 compliance. The decal is used to mark standard receptacles (new or existing) that are under automated control by the energy management system. 1 sheet includes 12 clear decals with white or black print.

**Dimensions**



**Specification Information**

**Step 1.**

**G9999.**  A

**Step 2. Color**

**B** black print  A

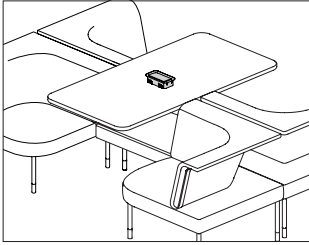
**W** white print  A

**Prices for Steps 1-2.**

**G9999. B** \$7  
**W** \$7

# Logic Mini Grommet

Y1412.



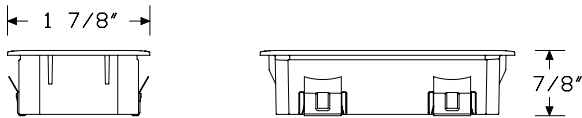
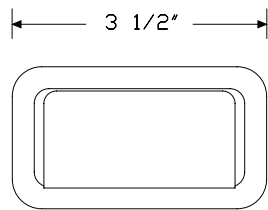
Thrive® Power and Data Support

### Product Information

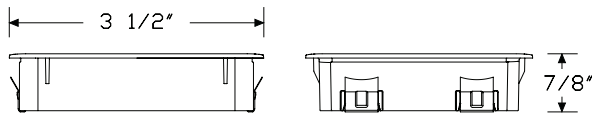
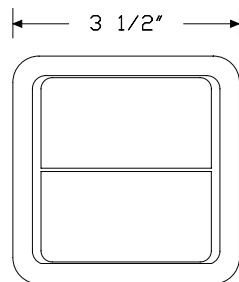
**Description**  
This Logic Power Access Solutions™ plastic grommet is available in mini rectangle or mini square configuration. The integrated flaps can hide the things below the surface while also retaining power and data cords.

**Notes**  
This grommet is installed in some HermanMiller applications. Verify your application before ordering grommet separately.

### Dimensions



Grommet - Rectangle



Grommet - Square

### Specification Information

**Step 1.**

**Y1412.**

**Step 2. Configuration**

- 1** mini rectangle grommet
- 2** mini square grommet

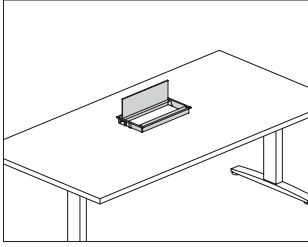
**Prices for Steps 1-2.**

<b>Y1412. 1</b>	\$26
<b>2</b>	\$30

**Step 3. Finish**

<b>91</b>	white	+\$0
<b>98</b>	studio white	+\$0
<b>G1</b>	graphite	+\$0

Logic G1200 Grommet Pass Thru Y1420.



**Product Information**

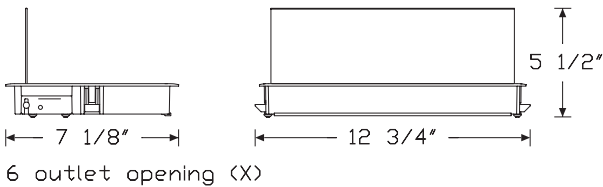
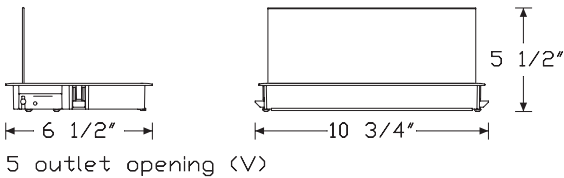
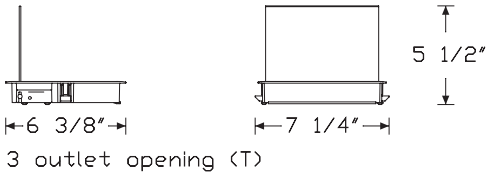
**Description**

This Logic Power Access Solutions™ grommet mounted metal enclosure provides access to cords kept beneath the surface. The unit has an integrated cord keeper.

**Notes**

Unit size is based on the grommet mounted electrical distributor (Y1425.) with simplex receptacles.

**Dimensions**



**Specification Information**

**Step 1.**

**Y1420.** [A]

**Step 2. Configuration**

- T** three outlet opening [A]
- V** five outlet opening [A]
- X** six outlet opening [A]

**Prices for Steps 1-2.**

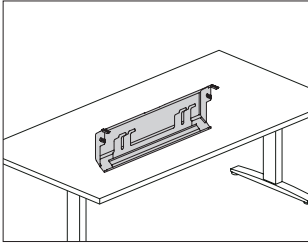
<b>Y1420. T</b>	\$214
<b>V</b>	\$235
<b>X</b>	\$255

**Step 3. Finish**

<b>91</b> white [A]	+\$0
<b>98</b> studio white [A]	+\$0
<b>G1</b> graphite [A]	+\$0
<b>MS</b> metallic silver [A]	+\$0

Logic HD Cable Manager

Y1424.

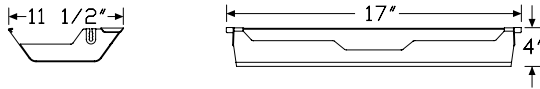


Thrive® Power and Data Support

**Product Information**

**Description**  
 This Logic Power Access Solutions™ stand-alone cable management tray mounts to the underside of most surfaces. It can be used with a Logic unit for cord storage, or used alone with cords routed through the back side of the unit. Tray drops down and holds cords in place while working and can be easily stowed back in place.

**Dimensions**



**Specification Information**

**Step 1.**

**Y1424.** [A]

**Step 2. Size**

**17** 17" wide tray [A]

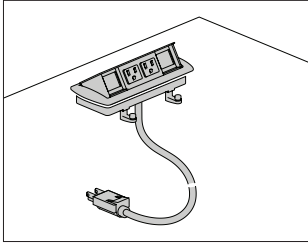
**Prices for Steps 1-2.**

**Y1424. 17** \$235

**Step 3. Finish**

- 91** white [A] +\$0
- 98** studio white [A] +\$0
- G1** graphite [A] +\$0
- MS** metallic silver [A] +\$0





**Product Information**

**Description**

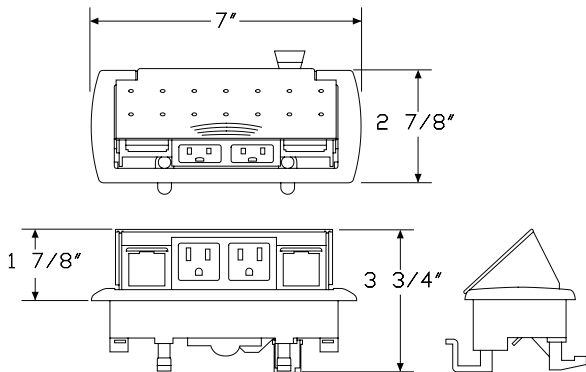
This electrical distributor mounts flush in a surface and has a one-touch pop-up mechanism for accessing power and data. It has 2 simplex receptacles and 2 data openings, and is available with a power cord with plug end, or electrical conduit for hardwire connection. A voice/data adapter kit is included, allowing the data openings to accept various manufacturers' couplers and jacks. Attachment hardware and cord/cable clips are also included. Product is UL listed.

**Notes**

Field cutting of surface may be required. Information on surface cutout size is included on instruction sheet.

Distributor with PVC-free wiring option (LZ) is Cradle to Cradle Silver Certified.

**Dimensions**



**Specification Information**

**Step 1.**

**Y1321.**

**Step 2. Power Type**

- A** power cord with plug end
- B** conduit with open end, for hard-wiring

**Step 3. Cord/Conduit Length**

- 03** 3' cord/conduit
- 06** 6' cord/conduit
- 10** 10' cord/conduit
- 20** 20' cord/conduit

**Prices for Steps 1-3.**

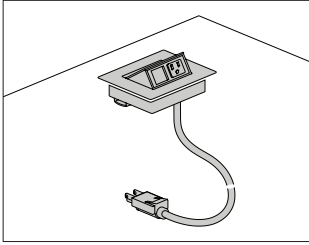
	<b>03</b>	<b>06</b>	<b>10</b>	<b>20</b>
<b>Y1321. A</b>	\$199	199	208	255
<b>B</b>	\$251	251	260	308

**Step 4. Wiring Type**

- 4Z** standard +\$0
- LZ** PVC-free +\$39

**Step 5. Finish**

- 0H** black +\$0



Thrive® Power and Data Support

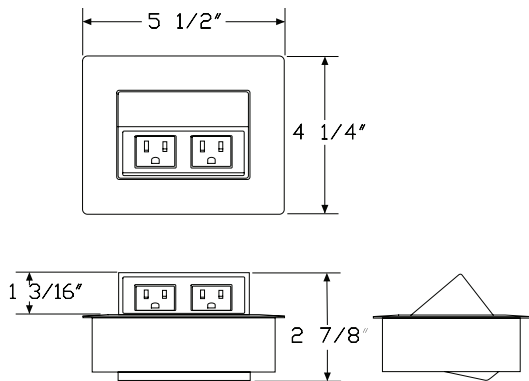
**Product Information**

**Description**  
 This electrical distributor mounts flush in a surface and has a one-touch pop-up mechanism for accessing power and data. It can be configured with 2 simplex receptacles, or 1 simplex receptacle and 1 data opening. The distributor is available with a power cord with plug end, or electrical conduit for hardwire connection. A voice/data adapter kit is included, allowing the data openings to accept various manufacturers' couplers and jacks. Attachment hardware and cord/cable clips are also included. Product is UL listed.

**Notes**

Field cutting of surface may be required. Information on surface cutout size is included on instruction sheet.  
 Distributor with PVC-free wiring option (LZ) is Cradle to Cradle Silver Certified.  
 Distributor with silver finish option (ol) or white finish option (oj) and standard wiring (4Z) has painted metal trim with white plastic simplex/data interior. Distributor with black finish option (oH) and standard wiring (4Z) has black painted trim with black plastic simplex/data interior. Distributor with PVC-free wiring option (LZ) has black plastic simplex/data interior, regardless of the finish color.

**Dimensions**



**Specification Information**

**Step 1.**

**Y1322.**

**Step 2. Configuration**

- 1** 1 simplex receptacle, 1 data opening
- 2** 2 simplex receptacles

**Step 3. Power Type**

- A** power cord with plug end
- B** conduit with open end, for hard-wiring

**Step 4. Cord/Conduit Length**

- 03** 3' cord/conduit
- 06** 6' cord/conduit
- 10** 10' cord/conduit
- 20** 20' cord/conduit

**Prices for Steps 1-4.**

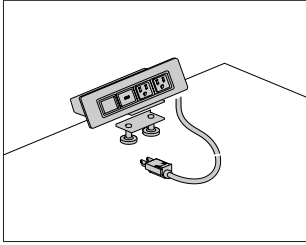
		<b>03</b>	<b>06</b>	<b>10</b>	<b>20</b>
<b>Y1322. 1</b>	<b>A</b>	\$237	237	246	293
	<b>B</b>	\$288	288	297	343
<b>2</b>	<b>A</b>	\$251	251	260	308
	<b>B</b>	\$302	302	313	360

**Step 5. Wiring Type**

- 4Z** standard +\$0
- LZ** PVC-free +\$39

**Step 6. Finish**

- oH** black +\$0
- ol** silver +\$0
- oj** white +\$0



**Product Information**

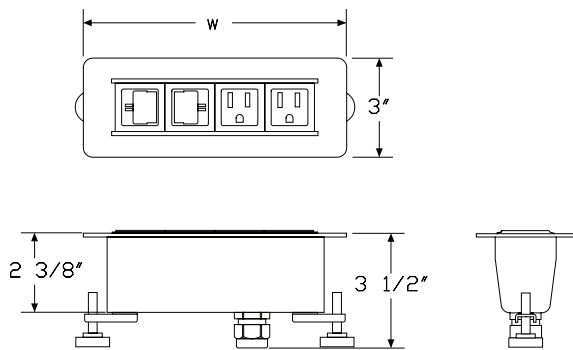
**Description**

This electrical distributor can grommet-mount flush in a surface, or clamp-mount to the edge. It can be configured with 2 simplex receptacles and 2 data openings, or 3 simplex receptacles and 3 data openings. The distributor is available with a power cord with plug end, or electrical conduit for hardwire connection. A voice/data adapter kit is included, allowing the data openings to accept various manufacturers' couplers and jacks. Attachment hardware and cord/cable clips are also included. Product is UL listed.

**Notes**

Field cutting of surface may be required. Information on surface cutout size is included on instruction sheet.  
 Silver option (OI) and white option (OJ) have painted metal trim with white plastic simplex/data interiors. Black option (OH) has black painted trim with black plastic simplex/data interior.  
 Overall width for distributor with 2 simplex receptacles, 2 data openings option (3) is 8" wide. Overall width for distributor with 3 simplex receptacles, 3 data openings option (4) is 11" wide.

**Dimensions**



**Specification Information**

**Step 1.**

**Y1323.**

**Step 2. Configuration**

- 3** 2 simplex receptacles, 2 data openings
- 4** 3 simplex receptacles, 3 data openings

**Step 3. Power Type**

- A** power cord with plug end
- B** conduit with open end, for hard-wiring

**Step 4. Cord/Conduit Length**

- 03** 3' cord/conduit
- 06** 6' cord/conduit
- 10** 10' cord/conduit
- 20** 20' cord/conduit

**Step 5. Attachment**

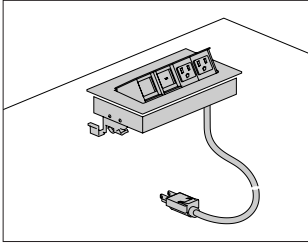
- G** grommet mount
- S** surface clamp

**Prices for Steps 1-5.**

		<b>03G</b>	<b>03S</b>	<b>06G</b>	<b>06S</b>	<b>10G</b>	<b>10S</b>
<b>Y1323. 3</b>	<b>A</b>	\$271	271	271	271	280	280
	<b>B</b>	\$322	322	322	322	331	331
<b>4</b>	<b>A</b>	\$337	337	337	337	346	346
	<b>B</b>	\$390	390	390	390	400	400
				<b>20G</b>	<b>20S</b>		
<b>Y1323. 3</b>	<b>A</b>					\$327	327
	<b>B</b>					\$377	377
<b>4</b>	<b>A</b>					\$395	395
	<b>B</b>					\$446	446

**Step 6. Finish**

- OH** black +\$0
- OI** silver +\$0
- OJ** white +\$0



Thrive® Power and Data Support

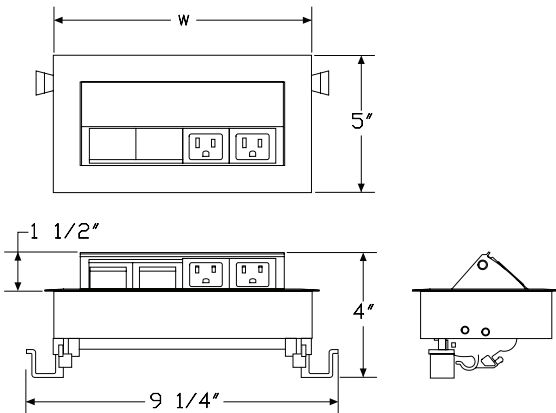
**Product Information**

**Description**  
 This electrical distributor mounts flush in a surface and has a one-touch pop-up mechanism for accessing power and data. It can be configured with 2 simplex receptacles and 2 data openings, or 3 simplex receptacles and 4 data openings. The distributor is available with a power cord with plug end, or electrical conduit for hardwire connection. A voice/data adapter kit is included, allowing the data openings to accept various manufacturers' couplers and jacks. Attachment hardware and cord/cable clips are also included. Product is UL listed.

**Notes**

Field cutting of surface may be required. Information on surface cutout size is included on instruction sheet.  
 Distributor with PVC-free wiring option (LZ) is Cradle to Cradle Silver Certified.  
 Distributor with silver anodized finish option (oK) and standard wiring (4Z) has anodized trim with white plastic simplex/data interior.  
 Distributor with silver anodized finish option (oK) and PVC-free wiring (LZ) has anodized trim with black plastic simplex/data interior.  
 Overall width for distributor with 2 simplex receptacles, 2 data openings option (3) is 8 1/4" wide. Overall width for distributor with 3 simplex receptacles, 4 data openings option (5) is 12 3/4" wide.

**Dimensions**



**Specification Information**

**Step 1.**

**Y1324.**

**Step 2. Configuration**

- 3** 2 simplex receptacles, 2 data openings
- 5** 3 simplex receptacles, 4 data openings

**Step 3. Power Type**

- A** power cord with plug end
- B** conduit with open end, for hard-wiring

**Step 4. Cord/Conduit Length**

- 03** 3' cord/conduit
- 06** 6' cord/conduit
- 10** 10' cord/conduit
- 20** 20' cord/conduit

**Prices for Steps 1-4.**

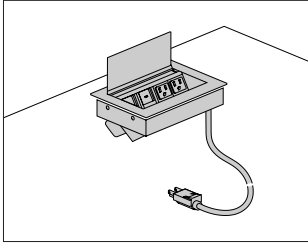
		<b>03</b>	<b>06</b>	<b>10</b>	<b>20</b>
<b>Y1324. 3</b>	<b>A</b>	\$377	377	386	434
	<b>B</b>	\$429	429	440	486
<b>5</b>	<b>A</b>	\$485	485	495	541
	<b>B</b>	\$537	537	543	589

**Step 5. Wiring Type**

- 4Z** standard +\$0
- LZ** PVC-free +\$39

**Step 6. Finish**

- OK** silver anodized +\$0



**Product Information**

**Description**

This electrical distributor mounts flush in a surface and has a flip-up lid for accessing power and data from above or below the surface. The flip lid can be closed once devices are connected for a clean visual appearance. It can be configured with 2 simplex receptacles and 2 data openings, or 3 simplex receptacles and 3 data openings. The distributor is available with a power cord with plug end, or electrical conduit for hardwire connection. A voice/data adapter kit is included, allowing the data openings to accept various manufacturers' couplers and jacks. Attachment hardware and cord/cable clips are also included. Product is UL listed.

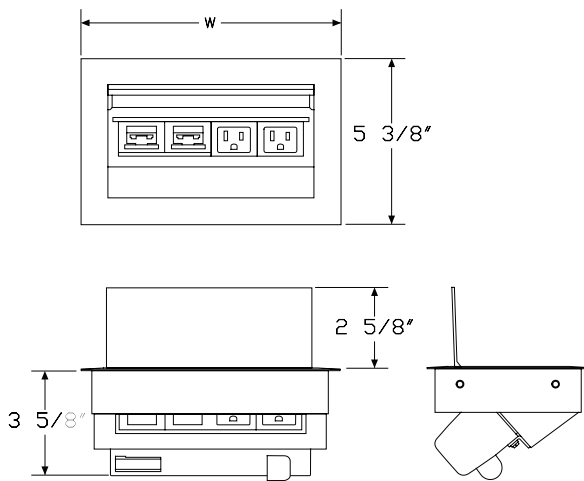
**Notes**

Field cutting of surface may be required. Information on surface cutout size is included on instruction sheet.

Silver anodized option (oK) has anodized trim with white plastic simplex/data interior.

Overall width for distributor with 2 simplex receptacles, 2 data openings option (3) is 8<sup>3</sup>/<sub>8</sub>" wide. Overall width for distributor with 3 simplex receptacles, 3 data openings option (4) is 11<sup>3</sup>/<sub>8</sub>" wide.

**Dimensions**



**Specification Information**

**Step 1.**

**Y1325.**

**Step 2. Configuration**

<b>3</b>	2 simplex receptacles, 2 data openings
<b>7</b>	3 simplex receptacles, 3 data openings

**Step 3. Power Type**

<b>A</b>	power cord with plug end
<b>B</b>	conduit with open end, for hard-wiring

**Step 4. Cord/Conduit Length**

<b>03</b>	3' cord/conduit
<b>06</b>	6' cord/conduit
<b>10</b>	10' cord/conduit
<b>20</b>	20' cord/conduit

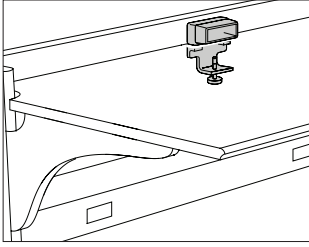
**Prices for Steps 1-4.**

		<b>03</b>	<b>06</b>	<b>10</b>	<b>20</b>
<b>Y1325. 3</b>	<b>A</b>	\$445	445	454	501
	<b>B</b>	\$497	497	506	552
	<b>7 A</b>	\$511	511	522	569
	<b>B</b>	\$563	563	574	620

**Step 5. Finish**

<b>OK</b>	silver anodized				+\$0
-----------	-----------------	--	--	--	------

Work Surface-Attached Voice/  
Data Outlet Y1320.

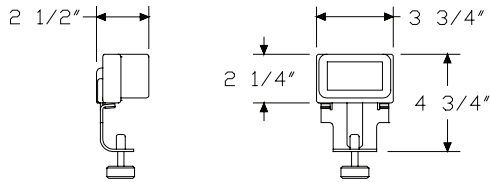


**Product Information**

Description

This outlet attaches to the back edge of an Action Office® Series 2 squared-edge work surface, Ethospace® work surface without a cable management trough, or Passage® desk module. It supports faceplates with voice/data ports at work surface height and has a furniture industry standard 1.38" high x 2.69" wide opening that accepts voice/data modules or faceplates from various manufacturers. Finish is graphite. Attachment hardware is included.

Dimensions



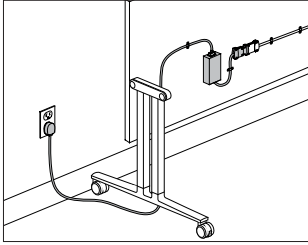
**Specification Information**

Step 1.

Y1320. A

\$112

# Connect™ Single Circuit Electrical Power Entry Y1377.



## Product Information

### Description

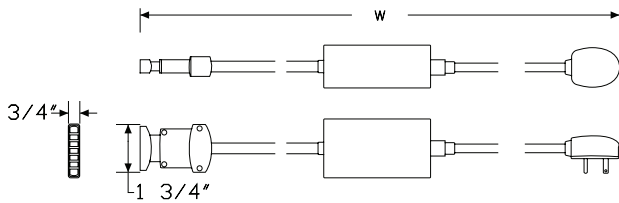
This standard receptacle 15-amp power entry provides power for single circuit electrical distributors. Up to 8 single circuit modular electrical distributors can be daisy chained and connected in any order. If more than 8 units are connected to this power entry, the system automatically shuts down and a red LED illuminates. A green LED indicates that more units can be connected and the system is ready. Standard attachment hardware is included.

### Notes

UL listed when used in conjunction with most Everywhere™ fixed height tables.

Order electrical distributors (Y1371., Y1372., Y1373., Y1374., Y1375.) and single circuit jumpers (Y1378.) separately.

## Dimensions



## Specification Information

### Step 1.

**Y1377.**

### Step 2. Cord Length

**06** 6' long

**10** 10' long

### Prices for Steps 1-2.

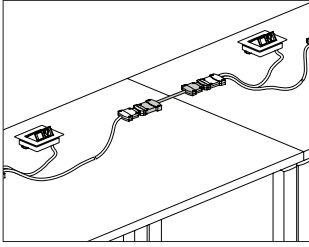
**Y1377. 06**

\$443

**10**

\$464

# Connect™ Single Circuit Electrical By-Pass Jumper Y1378.



Thrive® Power and Data Support

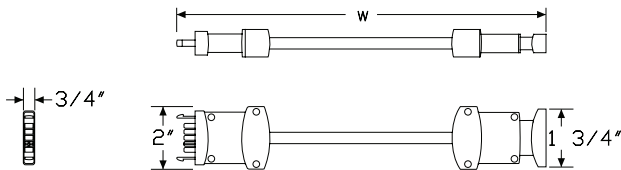
## Product Information

**Description**  
 This electrical jumper provides additional length for the Connect™ single circuit modular electrical system. Jumpers are available in a variety of lengths and count as one of the 8 electrical distributors allowed per power entry.

## Notes

UL listed when used in conjunction with most Everywhere™ fixed height tables.  
 Order electrical distributors (Y1371., Y1372., Y1373., Y1374., Y1375.) and single circuit power entry (Y1377.) separately.

## Dimensions



## Specification Information

### Step 1.

**Y1378.**

### Step 2. Cord Length

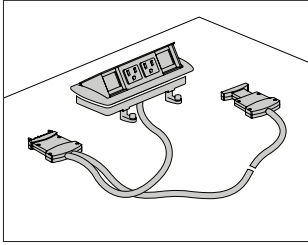
- 12** 12" long
- 24** 24" long
- 36** 36" long
- 48** 48" long
- 60** 60" long

### Prices for Steps 1-2.

<b>Y1378. 12</b>	\$91
<b>24</b>	\$99
<b>36</b>	\$109
<b>48</b>	\$117
<b>60</b>	\$125



Connect™ - S710 - Connect Single Circuit Power Unit Y1371.



**Product Information**

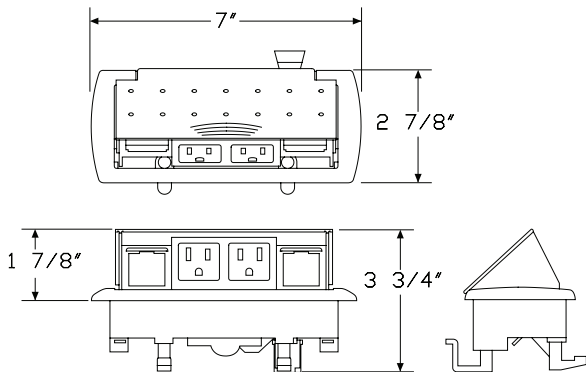
**Description**

This dedicated modular single circuit electrical distributor mounts flush in a surface and has a one-touch pop-up mechanism for accessing power and data. It has 2 simplex receptacles and 2 data openings and a 60" cord. A maximum of 8 single circuit electrical distributors can be daisy chained per power entry. A voice/data adapter kit is included, allowing the data openings to accept various manufacturers couplers and jacks. Attachment hardware and cord/cable clips are also included.

**Notes**

Field cutting of surface may be required. For information on surface cutout size, see included instruction sheet.  
 UL listed when used in conjunction with most Everywhere™ fixed height tables.  
 To gang tables together per electrical code requirements, order ganging bracket kit (Y1338.) separately.  
 Order single circuit power entry (Y1377.) separately.  
 Where lengths of greater than 60" are needed, order single circuit jumpers (Y1378.) separately. Each single circuit jumper counts toward the 8 allowed electrical distributors per power entry.

**Dimensions**



**Specification Information**

**Step 1.**

**Y1371.**

**Step 2. Configuration**

**3** 2 simplex receptacles, 2 data openings

**Step 3. Cord Length**

**60** 60" long

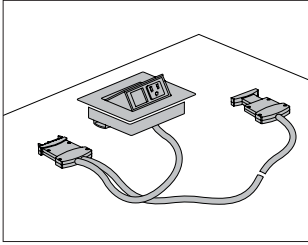
**Prices for Steps 1-3.**

**60**  
**Y1371. 3** \$310

**Step 4. Finish**

**0H** black +\$0

# Connect™ - S720 - Connect Single Circuit Power Unit Y1372.



Thrive® Power and Data Support

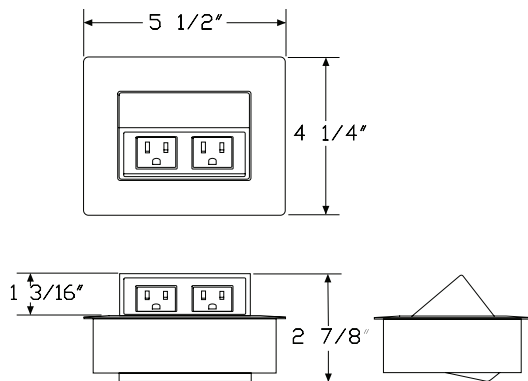
## Product Information

**Description**  
 This dedicated modular single circuit electrical distributor mounts flush in a surface and has a one-touch pop-up mechanism for accessing power and data. It can be configured with 2 simplex receptacles, or 1 simplex receptacle and 1 data opening. Cord length is 60". A maximum of 8 single circuit electrical distributors can be daisy chained per power entry. A voice/data adapter kit is included, allowing the data openings to accept various manufacturers couplers and jacks. Attachment hardware and cord/cable clips are also included.

## Notes

Field cutting of surface may be required. For information on surface cutout size, see included instruction sheet.  
 UL listed when used in conjunction with most Everywhere™ fixed height tables.  
 To gang tables together per electrical code requirements, order ganging bracket kit (Y1338.) separately.  
 Order single circuit power entry (Y1377.) separately.  
 Where lengths of greater than 60" are needed, order single circuit jumpers (Y1378.) separately. Each single circuit jumper counts toward the 8 allowed electrical distributors per power entry.  
 Silver option (oI) and white option (oJ) have painted metal trim with white plastic simplex/data interiors. Black option (oH) has black painted trim with black plastic simplex/data interior.

## Dimensions



## Specification Information

Step 1.

**Y1372.**

### Step 2. Configuration

- 1 1 simplex receptacle, 1 data opening
- 2 2 simplex receptacles

### Step 3. Cord Length

- 60 60" long

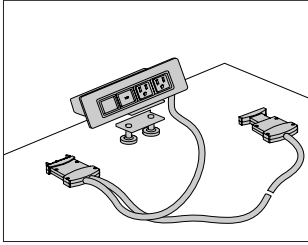
### Prices for Steps 1-3.

	<b>60</b>
<b>Y1372. 1</b>	\$346
<b>2</b>	\$361

### Step 4. Finish

<b>oH</b>	black	+\$0
<b>oI</b>	silver	+\$0
<b>oJ</b>	white	+\$0

Connect™ - S730 - Connect Single Circuit Power Unit Y1373.



**Product Information**

**Description**

This dedicated modular single circuit electrical distributor mounts flush in a surface or with an edge clamp mount. It has 2 simplex receptacles and 2 data openings, and a 60" cord. A maximum of 8 single circuit electrical distributors can be daisy chained per power entry. A voice/data adapter kit is included, allowing the data openings to accept various manufacturers couplers and jacks. Attachment hardware and cord/cable clips are also included.

**Notes**

Field cutting of surface may be required. For information on surface cutout size, see included instruction sheet.

UL listed when used in conjunction with most Everywhere™ fixed height tables.

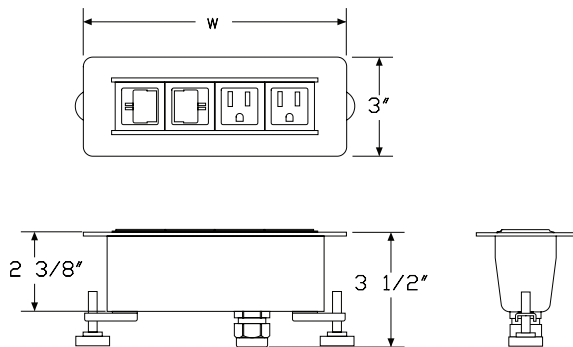
To gang tables together per electrical code requirements, order ganging bracket kit (Y1338.) separately.

Order single circuit power entry (Y1377.) separately.

Where lengths of greater than 60" are needed, order single circuit jumpers (Y1378.) separately. Each single circuit jumper counts toward the 8 allowed electrical distributors per power entry.

Silver option (OI) and white option (OJ) have painted metal trim with white plastic simplex/data interiors. Black option (OH) has black painted trim with black plastic simplex/data interior.

**Dimensions**



**Specification Information**

**Step 1.**

**Y1373.**

**Step 2. Configuration**

**3** 2 simplex receptacles, 2 data openings

**Step 3. Cord Length**

**60** 60" long

**Step 4. Attachment**

**G** grommet mount

**S** surface clamp

**Prices for Steps 1-4.**

	<b>G</b>	<b>S</b>
<b>Y1373. 3 60</b>	\$390	379

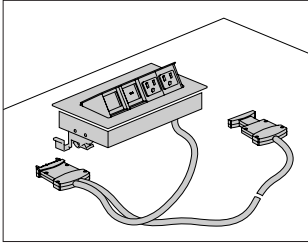
**Step 5. Finish**

**OH** black +\$0

**OI** silver +\$0

**OJ** white +\$0

Connect™ - S740 - Connect Single  
Circuit Power Unit Y1374.



Thrive® Power and Data Support

**Product Information**

**Description**

This dedicated modular single circuit electrical distributor mounts flush in a surface and has a one-touch pop-up mechanism for accessing power and data. It has 2 simplex receptacles and 2 data openings, and a 60" cord. A maximum of 8 single circuit electrical distributors can be daisy chained per power entry. A voice/data adapter kit is included, allowing the data openings to accept various manufacturers couplers and jacks. Attachment hardware and cord/cable clips are also included.

**Notes**

Field cutting of surface may be required. For information on surface cutout size, see included instruction sheet.

UL listed when used in conjunction with most Everywhere™ fixed height tables.

To gang tables together per electrical code requirements, order ganging bracket kit (Y1338.) separately.

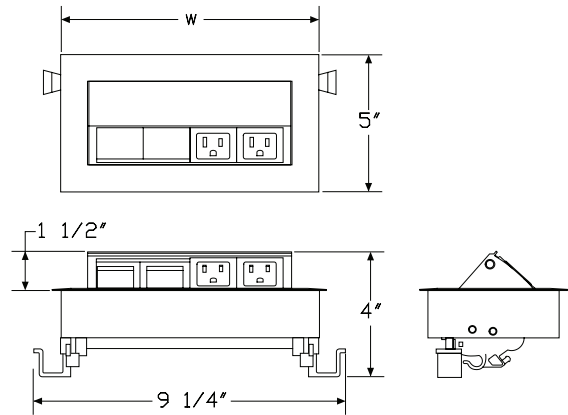
Order single circuit power entry (Y1377.) separately.

Where lengths of greater than 60" are needed, order single circuit jumpers (Y1378.) separately. Each single circuit jumper counts toward the 8 allowed electrical distributors per power entry.

Silver anodized option (oK) has anodized trim with white plastic simplex/data interior.

Overall width for distributor with 2 simplex receptacles, 2 data openings is 8 1/4" wide.

**Dimensions**



Connect™ - S740 - Connect Single  
 Circuit Power Unit *continued*

**Specification Information**

Step 1.

**Y1374.**

Step 2. Configuration

**3** 2 simplex receptacles, 2 data openings

Step 3. Cord Length

**60** 60" long

Prices for Steps 1-3.

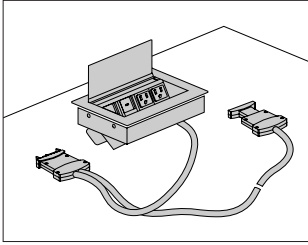
**60**

**Y1374. 3** \$484

Step 4. Finish

**OK** silver anodized +\$0

Connect™ - S750 - Connect Single  
Circuit Power Unit Y1375.



Thrive® Power and Data Support

**Product Information**

**Description**

This dedicated modular single circuit electrical distributor mounts flush in a surface and has a flip-up lid for accessing power and data from above or below the surface. The lid can be closed once devices are connected for a clean visual appearance. The distributor has 2 simplex receptacles and 2 data openings, and a 60" cord. A maximum of 8 single circuit electrical distributors can be daisy chained per power entry. A voice/data adapter kit is included, allowing the data openings to accept various manufacturers couplers and jacks. Attachment hardware and cord/cable clips are also included.

**Notes**

Field cutting of surface may be required. For information on surface cutout size, see included instruction sheet.

UL listed when used in conjunction with most Everywhere™ fixed height tables.

To gang tables together per electrical code requirements, order ganging bracket kit (Y1338.) separately.

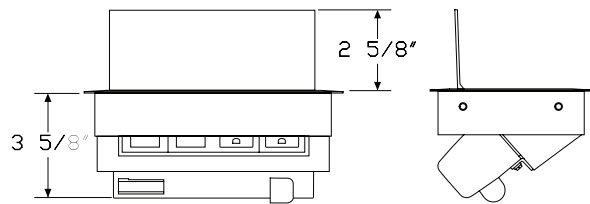
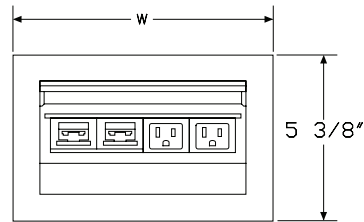
Order single circuit power entry (Y1377.) separately.

Where lengths of greater than 60" are needed, order single circuit jumpers (Y1378.) separately. Each single circuit jumper counts toward the 8 allowed electrical distributors per power entry.

Silver anodized option (oK) has anodized trim with white plastic simplex/data interior.

Overall width for distributor with 2 simplex receptacles, 2 data openings is 8<sup>3</sup>/<sub>8</sub>" wide.

**Dimensions**



Connect™ - S750 - Connect Single  
 Circuit Power Unit *continued*

**Specification Information**

Step 1.

**Y1375.**

Step 2. Configuration

**3** 2 simplex receptacles, 2 data openings

Step 3. Cord Length

**60** 60" long

Prices for Steps 1-3.

**60**

**Y1375. 3**

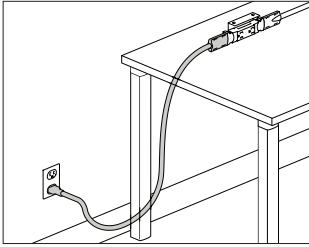
**\$549**

Step 4. Finish

**OK** silver anodized

**+\$0**

# Connect™-Power Entry with Plug End, 20 Amp Y1342.



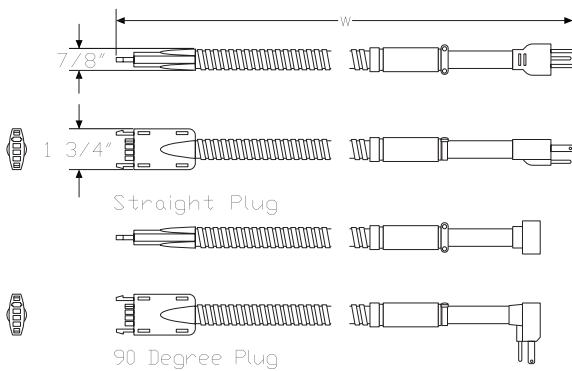
Thrive® Power and Data Support

## Product Information

**Description**  
 This corded power entry brings power from a building's 20-amp electrical outlet to the end of a 2 circuit duplex receptacle. It distributes 1 circuit only. UL/CUL recognized.

**Notes**  
 Only Connect™ duplex receptacle, 2-circuit, 15 amp circuit I (Y1345.1) receptacles can be used with this product as circuit I is the only active circuit.  
 Connect modular power products are not compatible with electrical components used in Herman Miller systems or desking product lines. When routing power to an adjacent desk or table, surfaces must be ganged together. Order ganging bracket kit (Y1338.) separately.  
 When using power entry with plug end, electrical system will be UL recognized, not UL listed.  
 Power entry does not meet requirements for use in San Francisco.  
 Power entry has a combination of black liquid tight conduit and 3/8" silver metallic conduit.

## Dimensions



## Specification Information

**Step 1.**  
**Y1342.**

**Step 2. Length**  
**06** 6' long  
**10** 10' long

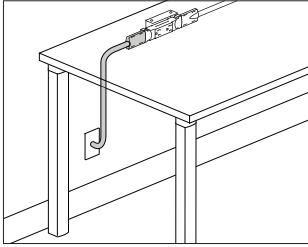
**Step 3. Plug Type**  
**A** straight plug  
**B** 90° plug

## Prices for Steps 1-3.

	A	B
<b>Y1342. 06</b>	\$203	203
<b>10</b>	\$236	236



# Connect™-Power Entry, 2-Circuit Y1341.



## Product Information

### Description

This power entry connects a building's electrical from a wall, floor, or column to the end of a 2 circuit duplex receptacle and distributes up to 2 20-amp circuits. UL 183 listed, CUL Certified.

### Notes

Connect™ modular power products are not compatible with electrical components used in Herman Miller systems or desking product lines.

When routing power to an adjacent desk or table, surfaces must be ganged together. Order ganging bracket kit (Y1338.) separately.

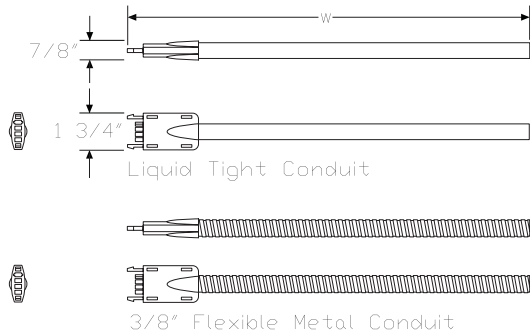
Power entry can be field cut to the appropriate length.

For San Francisco, specify 3/8" flex metallic conduit option (C).

Finish color on liquid tight conduit is black. Finish color on metallic conduit is silver.

A licensed electrician must wire the power entry to the building's electrical system.

## Dimensions



## Specification Information

### Step 1.

**Y1341.**

### Step 2. Length

<b>06</b>	6' long
<b>12</b>	12' long
<b>18</b>	18' long
<b>24</b>	24' long

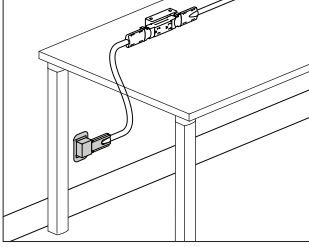
### Step 3. Conduit Type

<b>L</b>	liquid tight conduit
<b>C</b>	3/8" flex metallic conduit

### Prices for Steps 1-3.

	<b>L</b>	<b>C</b>
<b>Y1341. 06</b>	\$135	135
<b>12</b>	\$179	179
<b>18</b>	\$222	222
<b>24</b>	\$276	276

Connect™ - Modular Power Entry, Y1349.  
 2 Circuit, Architectural Wall  
 Receptacle Box



Thrive® Power and Data Support

**Product Information**

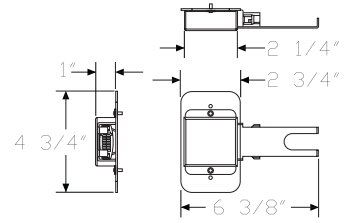
**Description**

This black receptacle box provides a modular power connection to building power at the wall in a standard receptacle box allowing for the electrical jumper to be easily removed when not in use. Product is UL listed when installed by a licensed electrician.

**Notes**

Connect™ modular power products are not compatible with electrical components used in Herman Miller systems or desking product lines.  
 Includes mounting plate, modular connection with wiring, and cover.  
 Jumper (Y1343.) plugs into the receptacle box modular power entry.  
 Works with Connect 2-circuit products only.

**Dimensions**

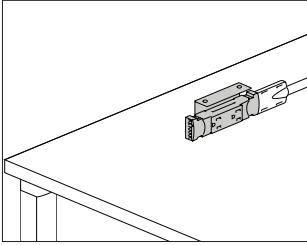


**Specification Information**

**Step 1.**

**Y1349.** \$101

**Connect™-Duplex Receptacle, 2-Circuit, 15 Amp Y1345.**



**Product Information**

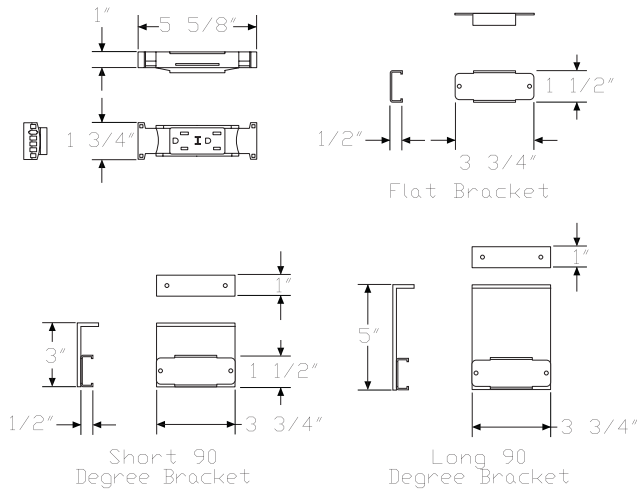
**Description**

This duplex receptacle attaches beneath a desk or table to provide electrical access. It has connection points at both ends for attaching a power entry or 2-circuit power jumper. Finish is black. Attachment bracket and hardware included. UL 183 listed, CUL Certified.

**Notes**

Connect™ modular power products are not compatible with electrical components used in Herman Miller systems or desking product lines. When routing power to an adjacent desk or table, surfaces must be ganged together. Order ganging bracket kit (Y1338.) separately. Receptacle is labeled as I or II for circuit identification. To route power from building to receptacle, order power entry, 2-circuit (Y1341.) or power entry with plug end, 20 amp (Y1342.) separately. Power entry with plug end distributes 1 circuit only. To route power between receptacles, order power jumper, 2-circuit (Y1343.) separately.

**Dimensions**



**Specification Information**

**Step 1.**

**Y1345.**

**Step 2. Circuit**

- 1 circuit I
- 2 circuit II

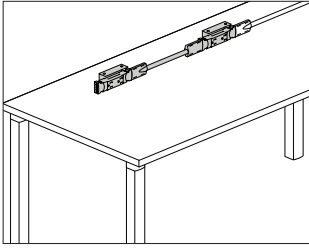
**Step 3. Attachment Hardware**

- A flat attachment to underside of surface
- B short 90° attachment to underside of surface
- C long 90° attachment to underside of surface

**Prices for Steps 1-3.**

	A	B	C
<b>Y1345. 1</b>	\$68	74	74
<b>2</b>	\$68	74	74

# Connect™-Dual Receptacle Power Kit, 2-Circuit Y1340.



## Product Information

### Description

This single-sided power kit attaches to the underside of a desk or table to provide electrical access and distributes up to 2 20-amp circuits. Receptacles, power jumper, conduit clamps, and attachment hardware included. UL 183 listed, CUL Certified.

### Notes

Connect™ modular power products are not compatible with electrical components used in Herman Miller systems or desking product lines.

Match width of power kit to width of surface.

When routing power to an adjacent desk or table, surfaces must be ganged together. Order ganging bracket kit (Y1338.) separately.

Receptacles are labeled as I or II for circuit identification.

36"-wide power kit uses a receptacle-to-receptacle block connector in place of a jumper to connect the receptacles together.

To route power from building to power kit, order power entry, 2-circuit (Y1341.) or power entry with plug end, 20 amp (Y1342.) separately.

Power entry with plug end distributes 1 circuit only.

To connect power kits between adjacent desks or tables, order power jumper, 2-circuit (Y1343.) separately.

For San Francisco, specify 3/8" flex metallic conduit option (C).

Receptacle finish is black. Finish color on liquid tight conduit is black.

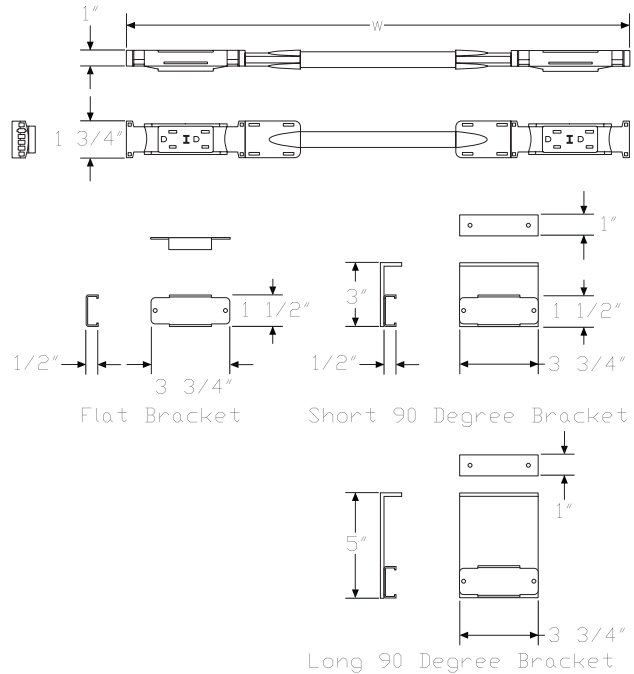
Finish on metallic conduit is silver.

36" - 54" wide kits have no conduit clips. 60" - 78" wide kits include 1 conduit clip. 84" - 96" wide kits include 2 conduit clips.

To attach kit flush to bottom of surface, with receptacles facing down, specify flat attachment to underside of surface option (A).

To attach kit perpendicular to bottom of surface, specify short 90° attachment to underside of surface option (B).

## Dimensions



# Connect™-Dual Receptacle Power Kit, 2-Circuit *continued*

## Specification Information

Step 1.

**Y1340.**

Step 2. Width

<b>36</b>	36" wide
<b>42</b>	42" wide
<b>48</b>	48" wide
<b>54</b>	54" wide
<b>60</b>	60" wide
<b>66</b>	66" wide
<b>72</b>	72" wide
<b>78</b>	78" wide
<b>84</b>	84" wide
<b>90</b>	90" wide
<b>96</b>	96" wide

Step 3. Conduit Type

<b>L</b>	liquid tight conduit
<b>C</b>	3/8" flex metallic conduit

Step 4. Circuit

<b>1</b>	circuit I
<b>2</b>	circuit II

Step 5. Attachment Hardware

<b>A</b>	flat attachment to underside of surface
<b>B</b>	short 90° attachment to underside of surface
<b>C</b>	long 90° attachment to underside of surface

Prices for Steps 1-5.

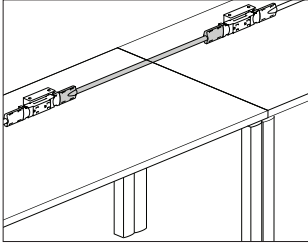
	<b>1A</b>	<b>1B</b>	<b>1C</b>	<b>2A</b>	<b>2B</b>	<b>2C</b>
<b>Y1340. 36 L</b>	\$148	153	153	148	153	153
<b>C</b>	\$148	153	153	148	153	153
<b>42 L</b>	\$164	169	169	164	169	169
<b>C</b>	\$164	169	169	164	169	169
<b>48 L</b>	\$168	173	173	168	173	173
<b>C</b>	\$168	173	173	168	173	173
<b>54 L</b>	\$173	180	180	173	180	180
<b>C</b>	\$173	180	180	173	180	180
<b>60 L</b>	\$179	185	185	179	185	185
<b>C</b>	\$179	185	185	179	185	185
<b>66 L</b>	\$183	189	189	183	189	189
<b>C</b>	\$183	189	189	183	189	189
<b>72 L</b>	\$188	193	193	188	193	193
<b>C</b>	\$188	193	193	188	193	193

<b>78 L</b>	\$192	197	197	192	197	197
<b>C</b>	\$192	197	197	192	197	197
<b>84 L</b>	\$196	201	201	196	201	201
<b>C</b>	\$196	201	201	196	201	201
<b>90 L</b>	\$201	206	206	201	206	206
<b>C</b>	\$201	206	206	201	206	206
<b>96 L</b>	\$205	210	210	205	210	210
<b>C</b>	\$205	210	210	205	210	210

Thrive® Power and Data Support

# Connect™-Jumper, 2-Circuit

Y1343.



Thrive® Power and Data Support

## Product Information

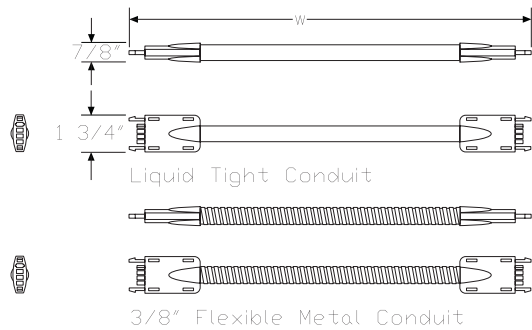
**Description**  
 This power jumper distributes up to 2 20-amp circuits. It can be used between 2 receptacles or between 2 dual receptacle power kits. UL 183 listed, CUL Certified.

## Notes

Connect™ modular power products are not compatible with electrical components used in Herman Miller systems or desking product lines.  
 When routing power to an adjacent desk or table, surfaces must be ganged together. Order ganging bracket kit (Y1338.) separately.  
 For San Francisco, specify 3/8" flex metallic conduit option (C).  
 When connecting dual receptacle power kits (Y1340.) between adjacent surfaces in a linear run, specify 24"-wide jumper.  
 When connecting dual receptacle power kits (Y1340.) at the outside corner of 2 24"-deep surfaces at 90°, specify 42"-wide jumper.  
 When connecting dual receptacle power kits (Y1340.) at the outside corner of 2 30"-deep surfaces at 90°, specify 48"-wide jumper.  
 When connecting dual receptacle power kits (Y1340.) at the outside corner of 1 30"-deep and 1 24"-deep surface, specify 48"-wide jumper.  
 When connecting dual receptacle power kits (Y1340.) at the inside corner of 2 24"- or 30"-deep surfaces, specify 30"-wide jumper.  
 Order the following products separately:

- 2-circuit dual receptacle power kit (Y1340.) or duplex receptacle, 2-circuit, 15 amp (Y1345.)
- Conduit clamps (Y1339.)
- Receptacle bracket (Y1347.) - for duplex receptacle, 2-circuit

## Dimensions



## Specification Information

**Step 1.**  
**Y1343.**

### Step 2. Width

06	6" wide
09	9" wide
12	12" wide
18	18" wide
24	24" wide
30	30" wide
36	36" wide
42	42" wide
48	48" wide
54	54" wide
60	60" wide
66	66" wide
72	72" wide
78	78" wide
84	84" wide
90	90" wide
96	96" wide
108	108" wide
120	120" wide
132	132" wide
144	144" wide

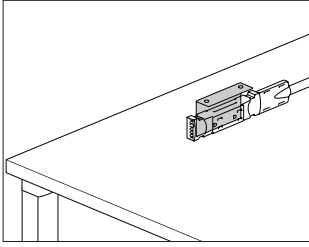
### Step 3. Conduit Type

L	liquid tight conduit
C	3/8" flex metallic conduit

Connect™-Jumper, 2-Circuit *continued*

Prices for Steps 1-3.		
	L	C
<b>Y1343. 06</b>	\$53	53
09	\$55	55
12	\$57	57
18	\$62	62
24	\$66	66
30	\$70	70
36	\$75	75
42	\$79	79
48	\$83	83
54	\$87	87
60	\$92	92
66	\$96	96
72	\$100	100
78	\$105	105
84	\$110	110
90	\$114	114
96	\$120	120
108	\$128	128
120	\$137	137
132	\$147	147
144	\$155	155

# Connect™-Receptacle Brackets, Y1347. 2-Circuit



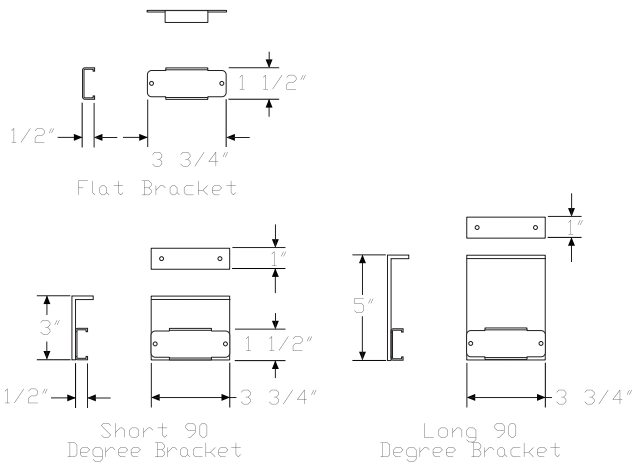
Thrive® Power and Data Support

## Product Information

**Description**  
This bracket attaches a 2-circuit receptacle to a desk or table. Finish is black. Package of 10.

**Notes**  
Connect™ modular power products are not compatible with electrical components used in Herman Miller systems or desking product lines.  
To attach receptacle flush to bottom of surface, facing down, specify flat attachment to underside of surface option (A).  
To attach receptacle perpendicular to bottom of surface, specify short 90° attachment to underside of surface option (B).  
Order duplex receptacle, 2-circuit, 15 amp (Y1345.) separately.

## Dimensions



## Specification Information

**Step 1.**  
**Y1347.**

### Step 2. Attachment Hardware

- A** flat attachment to underside of surface
- B** short 90° attachment to underside of surface
- C** long 90° attachment to underside of surface

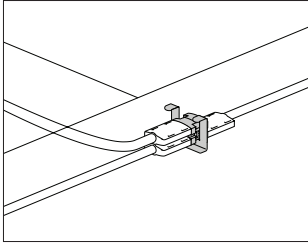
### Prices for Steps 1-2.

<b>Y1347. A</b>	\$56
<b>B</b>	\$89
<b>C</b>	\$89



# Connect™-Block Connector, 2-Circuit

Y1344.



### Product Information

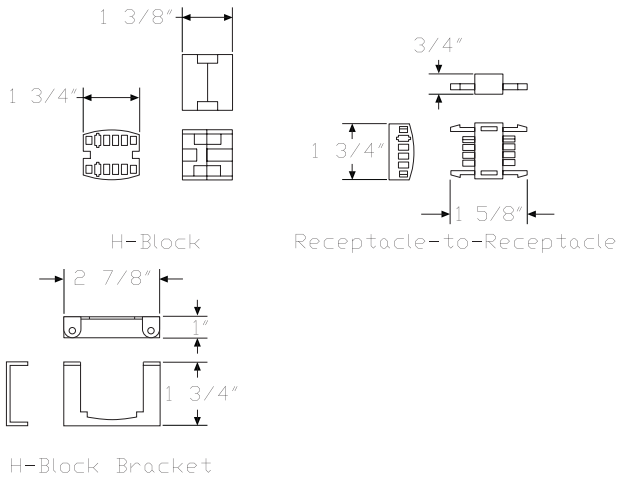
#### Description

This block connects components together to distribute power. The H-block connector connects jumpers together at 2-, 3-, and 4-way connection points, or distributes power from a power entry to multiple components. The receptacle-to-receptacle connector connects 2 receptacles together. Finish is black. Attachment hardware included. UL 183 listed, CUL Certified.

#### Notes

Connect™ modular power products are not compatible with electrical components used in Herman Miller systems or desking product lines. When routing power to an adjacent desk or table, surfaces must be ganged together. Order ganging bracket kit (Y1338.) separately.

### Dimensions



### Specification Information

#### Step 1.

**Y1344.**

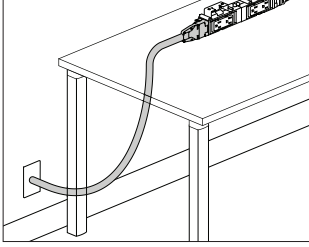
#### Step 2. Connector Type

- H** H-block connector
- R** receptacle-to-receptacle block connector

#### Prices for Steps 1-2.

<b>Y1344. H</b>	\$34
<b>R</b>	\$24

# Connect™-Power Entry, 4-Circuit Y1351.



Thrive® Power and Data Support

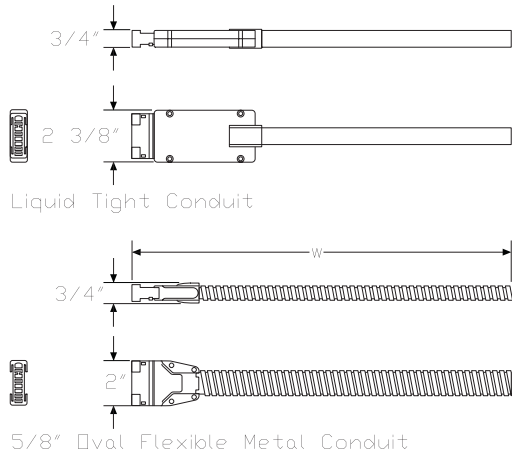
## Product Information

**Description**  
 This power entry connects a building's electrical from a wall, floor, or column to the end of a 4-circuit dual junction block power kit or junction block and distributes up to 4 20-amp circuits. UL 183 listed, CUL Certified.

## Notes

Connect™ modular power products are not compatible with electrical components used in Herman Miller systems or desking product lines. Power entry can be field cut to the appropriate length. For San Francisco, specify 3/8" flex metallic conduit option (C). Finish color on liquid tight conduit is black. Finish color on metallic conduit is silver. A licensed electrician must wire the power entry to the building's electrical system.

## Dimensions



## Specification Information

### Step 1.

**Y1351.**

### Step 2. Length

<b>06</b>	6' long
<b>12</b>	12' long
<b>18</b>	18' long
<b>24</b>	24' long

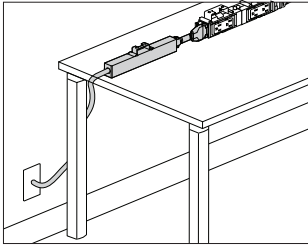
### Step 3. Conduit Type

<b>L</b>	liquid tight conduit
<b>C</b>	3/8" flex metallic conduit

### Prices for Steps 1-3.

	L	C
<b>Y1351. 06</b>	\$148	148
<b>12</b>	\$211	211
<b>18</b>	\$277	277
<b>24</b>	\$354	354

Connect™-Power Entry, 4-Circuit, Y1352.  
New York City



**Product Information**

**Description**

This power entry connects a building's electrical from a wall, floor, or column to the end of a 4-circuit dual junction block power kit or junction block and distributes up to 4 20-amp circuits. It includes a junction box and harness. UL 183 listed, CUL Certified.

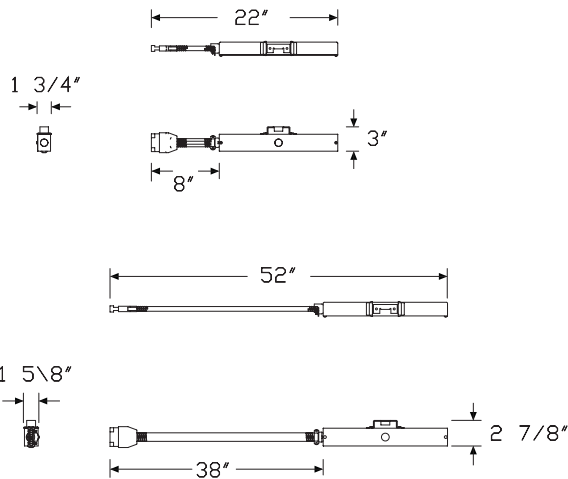
**Notes**

Connect™ modular power products are not compatible with electrical components used in Herman Miller systems or desking product lines. A licensed electrician must wire the power entry to the building's electrical system.

For use with Renew™ Link, specify 8" power entry (08).

For use with Layout Studio®, specify 38" power entry (38).

**Dimensions**



**Specification Information**

**Step 1.**

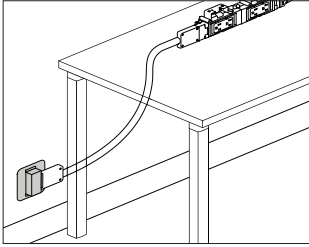
**Y1352.** [A] \$243

**Step 2. Length**

**08** 8" power entry [A] +\$0

**38** 38" power entry [A] +\$0

Connect™-Modular Power Entry, 4 Circuit, Architectural Wall Junction Box Y1359.



**Product Information**

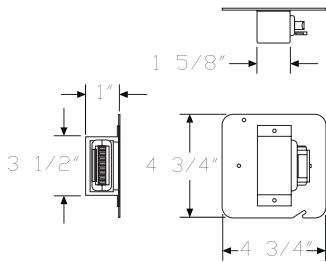
**Description**

This black receptacle box provides a modular power connection to building power at the wall in a standard 2-gang electrical box allowing for the electrical jumper to be easily removed when not in use. Product is UL listed when installed by a licensed electrician.

**Notes**

Connect™ modular power products are not compatible with electrical components used in Herman Miller systems or desking product lines.  
 Includes mounting plate, modular connection with wiring, and cover.  
 Jumper (Y1353.) plugs into the receptacle box modular power entry.  
 Works with Connect 4-circuit products only.

**Dimensions**



**Specification Information**

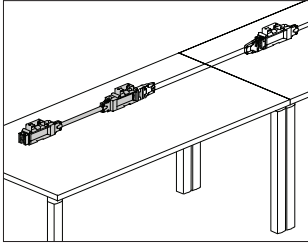
**Step 1.**

**Y1359.**

\$113

# Connect™-Dual Junction Block Power Kit, 4-Circuit

Y1350.



## Product Information

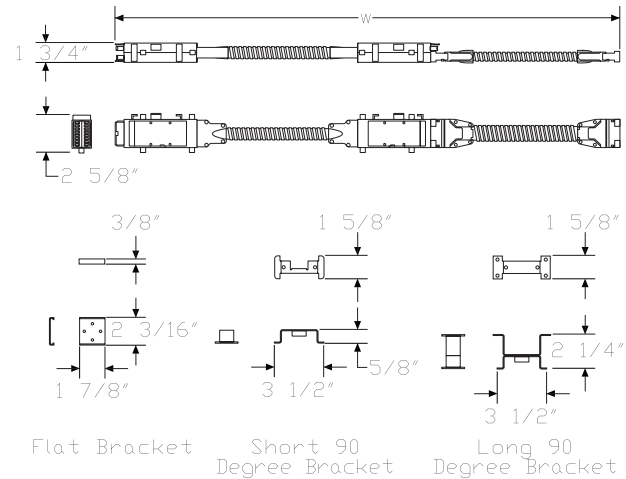
### Description

This power kit attaches to the underside of a desk or table to provide electrical access and distributes up to 4 20-amp circuits. It is available as a single-sided or double-sided kit. The single-sided power kit is modular and includes 2 junction blocks, a non-adjustable jumper, and attachment hardware. The double-sided kit is a 1-piece construction consisting of 2 junction blocks, a jumper, and attachment hardware; it cannot be reconfigured. The single-sided and double-sided kits are UL 183 listed, CUL certified.

### Notes

- Connect™ modular power products are not compatible with electrical components used in Herman Miller systems or desking product lines.
- Match width of power kit to width of surface.
- When routing power to an adjacent desk or table, surfaces must be ganged together. Order ganging bracket kit (Y1338.) separately.
- The single-sided junction block provides 1 or 2 receptacle locations. The double-sided junction block provides 2 to 4 receptacle locations. Order duplex receptacle, 4-circuit (Y1355.) separately.
- To route power from building to power kit, order 4-circuit power entry (Y1351.) separately.
- Power kit is not necessary for a 36"-wide surface. To add power to a 36"-wide surface, order double junction block, 4-circuit (Y1358.DH) or double back-to-back junction block (Y1358.DB).
- To connect power kits between adjacent desks or tables, order junction block to junction block jumper, 4-circuit (Y1353.) separately.
- Finish color of junction block is black. Finish color of 5/8" oval metallic conduit is silver.
- 42" - 54" wide kits have no conduit clips. 60" - 78" wide kits include 1 conduit clip. 84" - 96" wide kits include 2 conduit clips.
- To attach kit with single-sided junction block option (S) flush to bottom of surface, with receptacles facing down, specify flat attachment to underside of surface option (A).
- To attach kit perpendicular to bottom of surface, specify short 90° attachment to underside of surface option (B).

## Dimensions



Thrive® Power and Data Support

# Connect™-Dual Junction Block Power Kit, 4-Circuit *continued*

Thrive® Power and Data Support

## Specification Information

### Step 1.

**Y1350.**

### Step 2. Width

<b>42</b>	42" wide
<b>48</b>	48" wide
<b>54</b>	54" wide
<b>60</b>	60" wide
<b>66</b>	66" wide
<b>72</b>	72" wide
<b>78</b>	78" wide
<b>84</b>	84" wide
<b>90</b>	90" wide
<b>96</b>	96" wide

### Step 3. Junction Block Type

<b>S</b>	single-sided junction block
<b>D</b>	double-sided junction block

### Step 4. Attachment Hardware

#### For single-sided junction block (S)

<b>A</b>	flat attachment to underside of surface
<b>B</b>	short 90° attachment to underside of surface
<b>C</b>	long 90° attachment to underside of surface

#### For double-sided junction block (D)

<b>B</b>	short 90° attachment to underside of surface
<b>C</b>	long 90° attachment to underside of surface

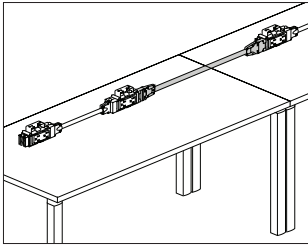
### Prices for Steps 1-4.

	<b>A</b>	<b>B</b>	<b>C</b>
<b>Y1350. 42 S</b>	\$189	194	194
<b>D</b>	—	\$140	140
<b>48 S</b>	\$194	199	199
<b>D</b>	—	\$147	147
<b>54 S</b>	\$199	204	204
<b>D</b>	—	\$152	152
<b>60 S</b>	\$204	209	209
<b>D</b>	—	\$157	157
<b>66 S</b>	\$209	215	215
<b>D</b>	—	\$162	162
<b>72 S</b>	\$215	221	221
<b>D</b>	—	\$167	167
<b>78 S</b>	\$221	228	228
<b>D</b>	—	\$172	172

<b>84 S</b>	\$227	238	238
<b>D</b>	—	\$179	179
<b>90 S</b>	\$232	237	237
<b>D</b>	—	\$185	185
<b>96 S</b>	\$237	242	242
<b>D</b>	—	\$190	190

# Connect™-Junction Block to Junction Block Jumper, 4-Circuit

Y1353.



## Product Information

### Description

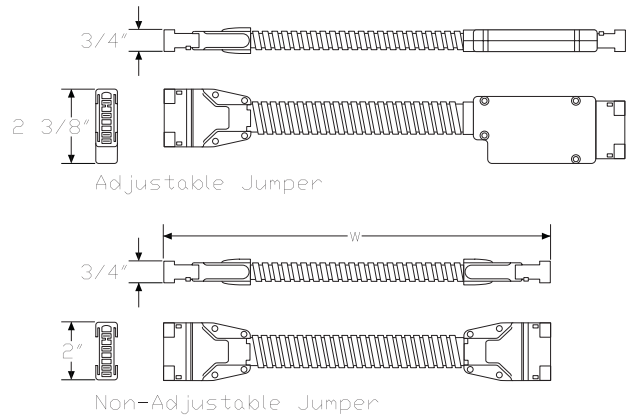
This power jumper distributes up to 4 20-amp circuits between 2 power kits or junction blocks and is available as adjustable or non-adjustable. The adjustable jumper allows 1 end of the jumper to extend an additional 3" when connecting to components under an adjacent desk or table. UL 183 listed, CUL Certified.

### Notes

Connect™ modular power products are not compatible with electrical components used in Herman Miller systems or desking product lines. When routing power to an adjacent desk or table, surfaces must be ganged together. Order ganging bracket kit (Y1338.) separately. When connecting dual junction block power kits (Y1350.) between adjacent surfaces in a linear run, specify 24"-wide jumper. When connecting dual junction block power kits (Y1350.) at the outside corner of 2 24"-deep surfaces at 90°, specify 42"-wide jumper. When connecting dual junction block power kits (Y1350.) at the outside corner of 2 30"-deep surfaces at 90°, specify 48"-wide jumper. When connecting dual junction block power kits (Y1350.) at the outside corner of 1 30"-deep and 1 24"-deep surface, specify 48"-wide jumper. When connecting dual junction block power kits (Y1350.) at the inside corner of 2 24"- or 30"-deep surfaces, specify 30"-wide jumper. Finish on 5/8" oval metallic conduit is silver. Order the following products separately:

- Conduit clamps (Y1339.)
- Dual junction block power kit, 4-circuit (Y1350.) or junction block, 4-circuit (Y1358.)
- Duplex receptacle, 4-circuit (Y1355.) - for junction block, 4-circuit
- Junction block bracket, 4-circuit (Y1357.) - for junction block, 4-circuit
- Power entry, 4-circuit (Y1351.)

## Dimensions



Thrive® Power and Data Support

# Connect™-Junction Block to Junction Block Jumper, 4-Circuit

continued

Thrive® Power and Data Support

## Specification Information

Step 1.

**Y1353.**

Step 2. Width

<b>12</b>	12" wide
<b>18</b>	18" wide
<b>24</b>	24" wide
<b>30</b>	30" wide
<b>36</b>	36" wide
<b>42</b>	42" wide
<b>48</b>	48" wide
<b>54</b>	54" wide
<b>60</b>	60" wide
<b>66</b>	66" wide
<b>72</b>	72" wide
<b>78</b>	78" wide
<b>84</b>	84" wide
<b>90</b>	90" wide
<b>108</b>	108" wide
<b>120</b>	120" wide
<b>132</b>	132" wide
<b>144</b>	144" wide

Step 3. Type

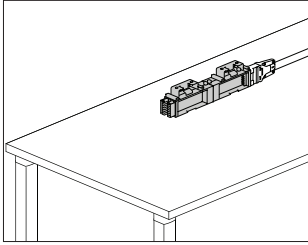
<b>A</b>	adjustable jumper
<b>N</b>	nonadjustable jumper

## Prices for Steps 1-3.

	<b>A</b>	<b>N</b>
<b>Y1353. 12</b>	\$75	75
<b>18</b>	\$80	80
<b>24</b>	\$85	85
<b>30</b>	\$91	91
<b>36</b>	\$96	96
<b>42</b>	\$101	101
<b>48</b>	\$108	108
<b>54</b>	\$113	113
<b>60</b>	\$118	118
<b>66</b>	\$123	123
<b>72</b>	\$128	128
<b>78</b>	\$134	134
<b>84</b>	\$139	139
<b>90</b>	\$146	146
<b>108</b>	\$161	161
<b>120</b>	\$171	171
<b>132</b>	\$183	183
<b>144</b>	\$194	194



# Connect™-Junction Block, 4-Circuit Y1358.



## Product Information

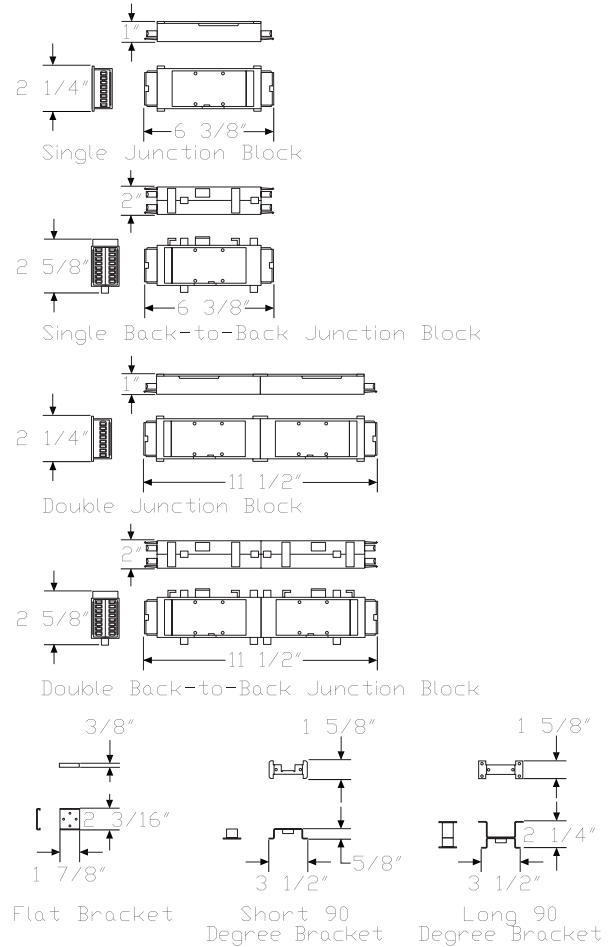
### Description

This block attaches beneath a desk or table and accepts 4-circuit receptacles for access and distribution of up to 4 20-amp circuits. It has connection points at both ends for attaching a power entry or 4-circuit power jumper. The block can be specified for 1 receptacle, 2 receptacles side-by-side, 2 receptacles back-to-back, or 4 receptacles; 2 side-by-side and 2 back-to-back. Finish is black. Attachment bracket and hardware included. UL 183 listed, CUL Certified.

### Notes

- Connect™ modular power products are not compatible with electrical components used in Herman Miller systems or desking product lines.
- When routing power to an adjacent desk or table, surfaces must be ganged together. Order ganging bracket kit (Y1338.) separately.
- To route power from building to junction block, order 4-circuit power entry (Y1351.) separately.
- To route power between junction blocks, order junction block to junction block jumper, 4-circuit (Y1353.) separately.
- To route power from a 36"-wide surface to an adjacent surface, specify double junction block option (DH) or double back-to-back junction block option (DB) and order power jumper (Y1353.) separately.
- Order duplex receptacle, 4-circuit (Y1355.) separately.
- To maintain proper spacing when specifying double junction block (Y1358.DH) or double back-to-back junction block (Y1358.DB), order adjustable jumpers (Y1353.xxxA) separately.

## Dimensions



# Connect™-Junction Block, 4-Circuit

continued

Thrive® Power and Data Support

## Specification Information

Step 1.

**Y1358.**

Step 2. Junction Block Type

- SH** single junction block
- SB** single back-to-back junction block
- DH** double junction block
- DB** double back-to-back junction block

Step 3. Attachment Hardware

*For single junction block (SH) or double junction block (DH)*

- A** flat attachment to underside of surface
- B** short 90° attachment to underside of surface
- C** long 90° attachment to underside of surface

*For single back-to-back junction block (SB) or double back-to-back junction block (DB)*

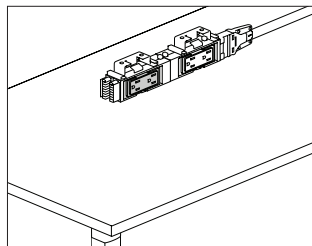
- B** short 90° attachment to underside of surface
- C** long 90° attachment to underside of surface

Prices for Steps 1-3.

	<b>A</b>	<b>B</b>	<b>C</b>
<b>Y1358. SH</b>	\$84	90	90
<b>SB</b>	—	\$90	90
<b>DH</b>	\$68	74	74
<b>DB</b>	—	\$74	74

# Connect™-Duplex Receptacle, 4-Circuit

Y1355.



### Product Information

#### Description

This 15- or 20-amp duplex receptacle attaches to a power kit or junction block to provide electrical access. Finish is black. UL 183 listed, CUL Certified.

#### Notes

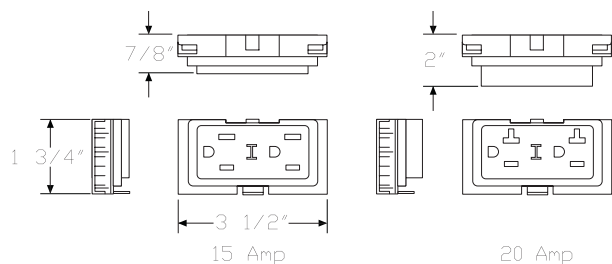
Connect™ modular power products are not compatible with electrical components used in Herman Miller systems or desking product lines.

Receptacle is labeled as I, II, III, or IV for circuit identification.

Order the following products separately:

- Dual junction block power kit, 4-circuit (Y1350.)
- Junction block, 4-circuit (Y1358.)

### Dimensions



### Specification Information

#### Step 1.

**Y1355.**

#### Step 2. Amps

**15** 15 amp

**20** 20 amp

#### Step 3. Circuit

**1** circuit I

**2** circuit II

**3** circuit III

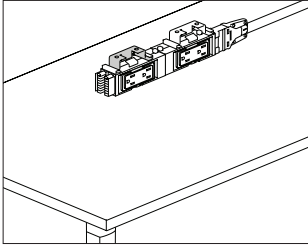
**4** circuit IV

#### Prices for Steps 1-3.

	<b>1</b>	<b>2</b>	<b>3</b>	<b>4</b>
<b>Y1355. 15</b>	\$23	23	23	23
<b>20</b>	\$27	27	27	27

# Connect™-Junction Block Brackets, 4-Circuit

Y1357.



Thrive® Power and Data Support

## Product Information

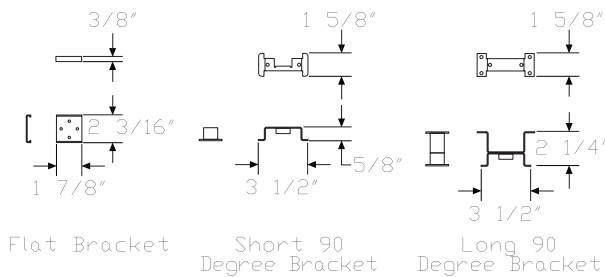
### Description

This bracket attaches a 4-circuit junction block to a desk or table.  
Package of 10.

### Notes

Connect™ modular power products are not compatible with electrical components used in Herman Miller systems or desking product lines.  
To attach junction block flush to bottom of surface, facing down, specify flat attachment to underside of surface option (A).  
To attach junction block perpendicular to bottom of surface, specify short 90° attachment to underside of surface option (B).  
Finish on flat attachment to underside of surface option (A) is black.  
Finish on short 90° attachment to underside of surface option (B) and long 90° attachment to underside of surface option (C) is silver.  
Order junction block, 4-circuit (Y1358.) separately.

## Dimensions



## Specification Information

### Step 1.

**Y1357.**

### Step 2. Attachment Hardware

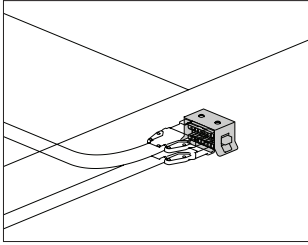
- A** flat attachment to underside of surface
- B** short 90° attachment to underside of surface
- C** long 90° attachment to underside of surface

### Prices for Steps 1-2.

<b>Y1357. A</b>	\$56
<b>B</b>	\$89
<b>C</b>	\$89

# Connect™-Block Connector, 4-Circuit

Y1354.



### Product Information

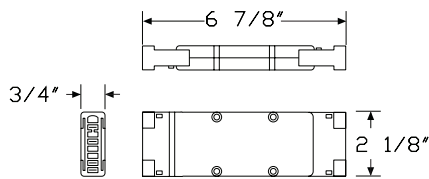
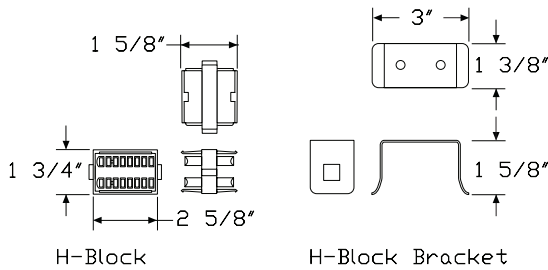
#### Description

This block connects components together to distribute power. The H-block connector connects jumpers together at 2-, 3-, and 4-way connection points, or distributes power from a power entry to multiple components. The receptacle-to-receptacle connectors connect 2 junction blocks together. Finish is black. Attachment hardware included. UL 183 listed, CUL Certified.

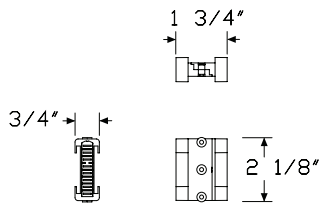
#### Notes

Connect™ modular power products are not compatible with electrical components used in Herman Miller systems or desking product lines. When routing power to an adjacent desk or table, surfaces must be ganged together. Order ganging bracket kit (Y1338.) separately.

#### Dimensions



Receptacle-to-Receptacle Block Connector



Short Receptacle-to-Receptacle Block Connector

### Specification Information

#### Step 1.

Y1354.

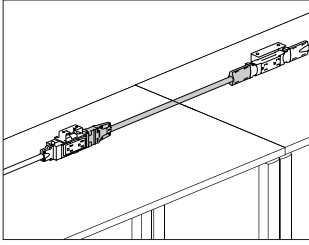
#### Step 2. Connector Type

- H H-block connector
- S short receptacle-to-receptacle block connector A
- R receptacle-to-receptacle block connector

#### Prices for Steps 1-2.

Y1354. H	\$41
S	\$50
R	\$52

# Connect™-Transition Jumper, 2- to 4-Circuit Y1356.



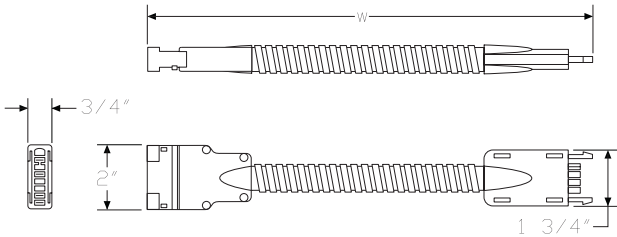
Thrive® Power and Data Support

## Product Information

**Description**  
 This jumper transfers power from a 2-circuit power kit, receptacle, or connector block to a 4-circuit junction block or connector block. 1 conduit clamp included. UL 183 listed, CUL Certified.

**Notes**  
 Connect™ modular power products are not compatible with electrical components used in Herman Miller systems or desking product lines. When routing power to an adjacent desk or table, surfaces must be ganged together. Order ganging bracket kit (Y1338.) separately. Finish on 5/8" oval metallic conduit is silver.

## Dimensions



## Specification Information

**Step 1.**

**Y1356.**

### Step 2. Width

<b>06</b>	6" wide
<b>24</b>	24" wide
<b>36</b>	36" wide
<b>48</b>	48" wide
<b>72</b>	72" wide
<b>96</b>	96" wide

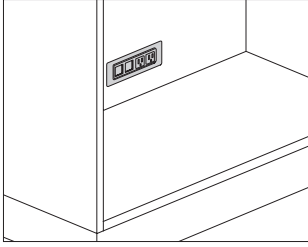
### Step 3. Conduit Type

**L** liquid tight conduit

### Prices for Steps 1-3.

	<b>L</b>
<b>Y1356. 06</b>	\$69
<b>24</b>	\$85
<b>36</b>	\$96
<b>48</b>	\$108
<b>72</b>	\$128
<b>96</b>	\$151

# Connect™ - S310 Electrical Unit Y1329. with Connect Modular Connection



## Product Information

### Description

This electrical distributor provides power to a lateral file, low credenza, or storage case with a Connect™ 4-circuit modular connector. It can be top surface mounted flush or vertically mounted in the false back of a cabinet. A voice/data adapter kit is included, allowing the data openings to accept various manufacturers' couplers and jacks. Attachment hardware is included. Product is UL listed.

### Notes

Field cutting of surface may be required. Information on surface cutout size is included on instruction sheet.

Silver option (OI) and white option (OJ) have painted metal trim with white plastic simplex/data interiors. Black option (OH) has black painted trim with black plastic simplex/data interior.

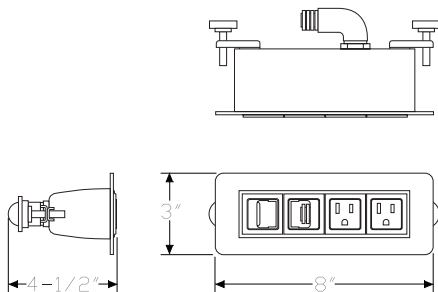
Modular electrical connectors can only connect to Connect 4-circuit modular power system.

Order the following products separately:

- Canvas powered metal low credenza (FMP72A., FMP72K., FMP73A., FMP73K., FMP74A., FMP74K.)
- Canvas powered wood low credenza (FFD72A., FFD72K., FFD73A., FFD73K., FFD74A., FFD74K.)
- Meridian powered storage case (PSC-, PS6-, PSAM-, PSAV-, PSKM-, PSKV-)
- Meridian powered storage lateral file (PS26-, PS2AM, PS2AV, PS2KM, PS2KV)
- Connect - power entry, 4-circuit (Y1351.)
- Connect - junction block to junction block jumper, 4-circuit (Y1353.)
- Connect - block connector, 4-circuit (Y1354.)
- Other Connect 4-circuit modular power components as required

For Canvas powered storage, order Connect - conduit clamp (Y1339.) separately.

### Dimensions



## Specification Information

### Step 1.

**Y1329.**

### Step 2. Configuration

<b>3</b>	2 simplex receptacles, 2 data openings
<b>8</b>	3 simplex receptacles, 1 data opening

### Step 3. Power Type

<b>E</b>	4 circuit circuit 1
<b>F</b>	4 circuit circuit 2
<b>G</b>	4 circuit circuit 3
<b>H</b>	4 circuit circuit 4

### Step 4. Cord/Conduit Length

<b>02</b>	2' conduit
<b>03</b>	3' conduit
<b>04</b>	4' conduit
<b>06</b>	6' conduit
<b>10</b>	10' conduit

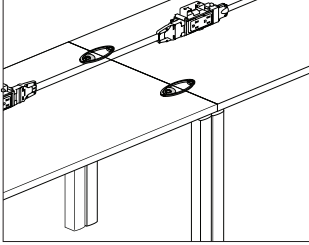
### Prices for Steps 1-4.

		<b>02</b>	<b>03</b>	<b>04</b>	<b>06</b>	<b>10</b>
<b>Y1329. 3</b>	<b>E</b>	\$321	330	339	360	399
	<b>F</b>	\$321	330	339	360	399
	<b>G</b>	\$321	330	339	360	399
	<b>H</b>	\$321	330	339	360	399
<b>8</b>	<b>E</b>	\$336	345	357	375	414
	<b>F</b>	\$336	345	357	375	414
	<b>G</b>	\$336	345	357	375	414
	<b>H</b>	\$336	345	357	375	414

### Step 5. Finish

<b>OH</b>	black	+\$0
<b>OI</b>	silver	+\$0
<b>OJ</b>	white	+\$0

Connect™-Ganging Bracket Kit Y1338.



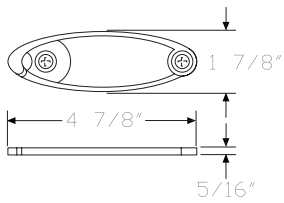
Thrive® Power and Data Support

**Product Information**

**Description**  
This kit has 2 clips that attach to the underside of 2 adjacent surfaces, ganging them together to provide stability and allowing electrical components to be routed from 1 surface to another. Finish is black.

**Notes**  
Ganging bracket kit should not be used on 18"-deep Everywhere™ tables.

**Dimensions**



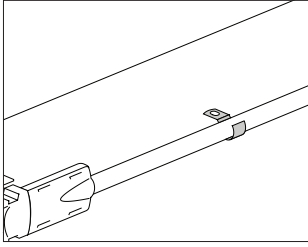
**Specification Information**

**Step 1.**  
**Y1338.** \$75



# Connect™-Conduit Clamp

Y1339.

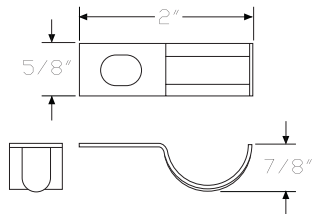


### Product Information

#### Description

This clamp screws to the underside of a surface to support the conduit on electrical components. Finish is silver. Package of 10.

#### Dimensions



### Specification Information

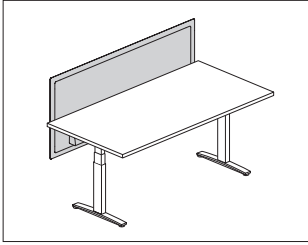
#### Step 1.

Y1339.

\$9

# Pari Screen, Height Adjustable Tables

Y1116.



Thrive® Screens

## Product Information

### Description

This screen attaches to an individual height adjustable work surface. It has an all-fabric, tackable surface with frameless design, and comes in privacy and modesty sizes. Attachment hardware included.

### Notes

Privacy and modesty panel actual width is 2" less than specified width.

Privacy screen (A) top edge aligns with the 42" high Canvas datum line; bottom edge is 4" below work surface.

Privacy & modesty screen (B) top edge aligns with the 42" high Canvas datum line; bottom edge is 9" below work surface.

Privacy screen (C) top edge aligns with the 46" high Canvas datum line; bottom edge is 4" below work surface.

Privacy & modesty screen (D) top edge aligns with the 46" high Canvas datum line; bottom edge is 9" below work surface.

Privacy screen (E) top edge aligns with the 53" high Canvas datum line; bottom edge is 4" below work surface.

Privacy & modesty screen (F) top edge aligns with the 53" high Canvas datum line; bottom edge is 9" below work surface.

Screens 54" wide and wider include an additional 1"-wide center mounting bracket.

Recommended mounting creates a 1" gap between back edge of surface and the screen to accommodate cable routing and the attachment or clamp-mounting of other hardware to the surface.

Optional cable management trough is only available when specifying privacy & modesty height option (B). Trough finish is graphite.

Attachment brackets are inset from edge of screen by approximately 8" and require 2½" of work surface for attachment.

Attachment bracket finish is painted graphite.

Screen accepts Customer's Own Material (COM). Yardage is estimated for nondirectional 54"-wide fabrics.

For vertical fabric direction (T):

Height—Yardage

A—1.51

B—1.89

C—1.76

D—2.14

E—2.21

F—2.58

For horizontal fabric direction (R):

Width—Yardage

For heights A/B:

24—0.88

30—1.07

36—1.26

42—1.45

48—1.64

54—1.83

60—2.02

66—2.21

72—2.39

For heights C/D/E/F:

24—1.76

30—2.14

36—2.52

42—2.90

48—3.28

54—3.65

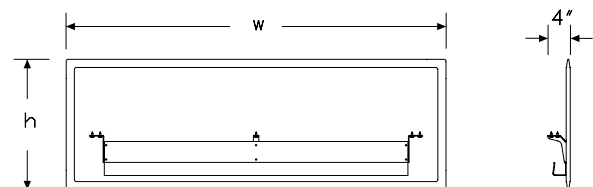
60—4.03

66—4.41

72—4.79

For information on multiple quantities or directional fabrics, contact COM Department. See Order Information in Appendices.

## Dimensions



# Pari Screen, Height Adjustable

## Tables *continued*

### Specification Information

Step 1.

Y1116.  A

Step 2. Height

- A privacy (42" high)  A
- B privacy & modesty (42" high/ 9" below surface)  A
- C privacy (46" high)  A
- D privacy & modesty (46" high/ 9" below surface)  A
- E privacy (53" high)  A
- F privacy & modesty (53" high/ 9" below surface)  A

Step 3. Width

- 24 24" wide  A
- 30 30" wide  A
- 36 36" wide  A
- 42 42" wide  A
- 48 48" wide  A
- 54 54" wide  A
- 60 60" wide  A
- 66 66" wide  A
- 72 72" wide  A

Step 4. Surface Material

For 24" wide (24), 30" wide (30), 36" wide (36), 42" wide (42), or 48" wide (48)

- R tackable fabric, horizontal  A
- T tackable fabric  A

For 54" wide (54), 60" wide (60), 66" wide (66), or 72" wide (72)

- R tackable fabric, horizontal  A

Prices for Steps 1-4.

		R	T
Y1116. A	24	\$347	347
	30	\$403	403
	36	\$453	453
	42	\$498	498
	48	\$541	541
	54	\$578	—
	60	\$665	—
	66	\$697	—
	72	\$727	—

B	24	\$437	437
	30	\$499	499
	36	\$551	551
	42	\$596	596
	48	\$634	634
	54	\$667	—
	60	\$741	—
	66	\$765	—
	72	\$785	—
C	24	\$360	360
	30	\$415	415
	36	\$475	475
	42	\$530	530
	48	\$585	585
	54	\$645	—
	60	\$720	—
	66	\$755	—
	72	\$785	—
D	24	\$455	455
	30	\$510	510
	36	\$570	570
	42	\$625	625
	48	\$680	680
	54	\$740	—
	60	\$815	—
	66	\$850	—
	72	\$880	—
E	24	\$505	505
	30	\$555	555
	36	\$600	600
	42	\$650	650
	48	\$735	735
	54	\$775	—
	60	\$795	—
	66	\$805	—
	72	\$820	—
F	24	\$600	600
	30	\$650	650
	36	\$695	695
	42	\$745	745
	48	\$830	830
	54	\$870	—
	60	\$890	—
	66	\$900	—
	72	\$915	—

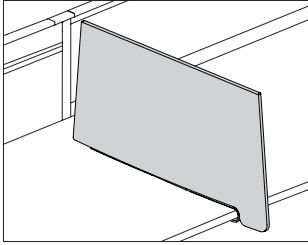
# Pari Screen, Height Adjustable Tables *continued*

Thrive® Screens

Step 5. Cable Trough		
<i>For privacy &amp; modesty (42" high/9" below surface) (B), privacy &amp; modesty (46" high/9" below surface) (D), or privacy &amp; modesty (53" high/9" below surface) (F)</i>		
<b>NC</b>	no cable way <input type="checkbox"/> A	+\$0
<b>CW</b>	cable way <input type="checkbox"/> A	+\$25
Step 6. Fabric		
	Price Category 1	+\$0
	Price Category 2	+\$19
	Price Category 3	+\$41
	Price Category 4	+\$80
	Price Category E	+\$152

Personal Side Screen

Y1117.



**Product Information**

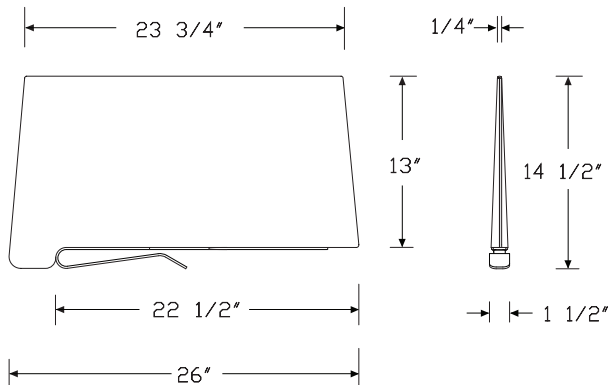
**Description**

This side screen has a tackable surface and slips onto the front of most HermanMiller work surfaces to provide visual privacy on tables, benches, and systems product. It attaches without tools and can be secured in place with screws on the underside of the surface. Clamp finish is graphite.

**Notes**

- Screen height is 13" above work surface.
- Screen is not compatible with Layout Studio®.
- Screen can be used with work surfaces up to 1 1/4" thick.
- Bottom of attachment bracket extends 1 1/2" below work surface.
- Screen accepts Customer's Own Material (COM). Yardage is estimated for nondirectional 54"-wide fabrics.
- For vertical fabric direction (T):  
Height—Yardage  
13—0.94
- For horizontal fabric direction (R):  
Height—Yardage  
13—1.00
- For information on multiple quantities or directional fabrics, contact COM Department. See Order Information in Appendices.

**Dimensions**



**Specification Information**

**Step 1.**

**Y1117.** [A]

**Step 2. Height**

**13** 13" high [A]

**Step 3. Surface Material**

**R** tackable fabric, horizontal [A]

**T** tackable fabric [A]

**Prices for Steps 1-3.**

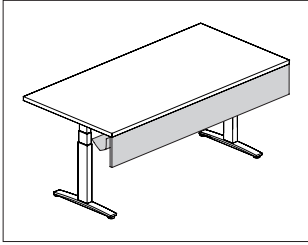
	<b>R</b>	<b>T</b>
<b>Y1117. 13</b>	\$338	338

**Step 4. Fabric**

Price Category 1	+\$0
Price Category 2	+\$11
Price Category 3	+\$23
Price Category 4	+\$44

# Modesty Panel

Y1113.



Thrive® Screens

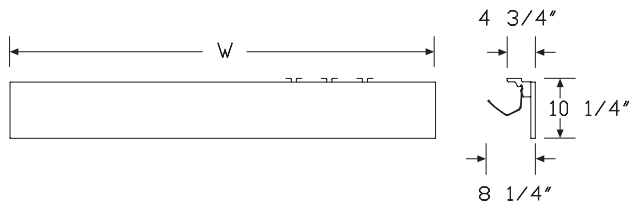
### Product Information

**Description**  
 This modesty panel attaches to a table, desk, peninsula, or work surface. It has a solid MDF core with a laminate or veneer surface, aluminum top rail and attachment brackets. Cable trough is optional. Attachment hardware included.

### Notes

Specify modesty panel to be equal to surface width, or 6" less than surface width of a height adjustable table.  
 Modesty panel dimension is approximately 10" high with width specified in step 1. Actual width 1/4" less than specified value.  
 Modesty panel is field installed.  
 Brackets are located to work with Connect™ 2-circuit power system.  
 Modesty panel (Y1113.) may impede ideal folding functionality of flip top table (DT5Ax.). For use with flip top table, modesty panel (Y1114.) is recommended. It comes only with a fabric surface.

### Dimensions



### Specification Information

#### Step 1.

**Y1113.**

#### Step 2. Width

<b>24</b>	24" wide
<b>30</b>	30" wide
<b>36</b>	36" wide
<b>42</b>	42" wide
<b>48</b>	48" wide
<b>54</b>	54" wide
<b>60</b>	60" wide
<b>66</b>	66" wide
<b>72</b>	72" wide

#### Step 3. Cable Trough

<b>N</b>	without added cable trough
<b>Y</b>	with added cable trough

#### Step 4. Surface Material

<b>L</b>	laminate top/thermoplastic edge
<b>W</b>	veneer top/veneer edge

#### Prices for Steps 1-4.

		<b>L</b>	<b>W</b>
<b>Y1113. 24</b>	<b>N</b>	\$188	334
	<b>Y</b>	\$335	498
<b>30</b>	<b>N</b>	\$205	375
	<b>Y</b>	\$380	568
<b>36</b>	<b>N</b>	\$224	417
	<b>Y</b>	\$414	626
<b>42</b>	<b>N</b>	\$242	459
	<b>Y</b>	\$456	692
<b>48</b>	<b>N</b>	\$260	500
	<b>Y</b>	\$499	759
<b>54</b>	<b>N</b>	\$280	542
	<b>Y</b>	\$541	826
<b>60</b>	<b>N</b>	\$298	583
	<b>Y</b>	\$583	892
<b>66</b>	<b>N</b>	\$298	624
	<b>Y</b>	\$625	958
<b>72</b>	<b>N</b>	\$322	665
	<b>Y</b>	\$666	1024

## Modesty Panel *continued*

---

### Step 5. Finish

---

#### *For laminate top/thermoplastic edge (L)*

---

<b>8Q</b>	folkstone grey	+\$0
<b>91</b>	white	+\$0
<b>LU</b>	soft white	+\$0
<b>WL</b>	sandstone	+\$0
<b>WN</b>	warm grey neutral	+\$0

---

#### *For veneer top/veneer edge (W)*

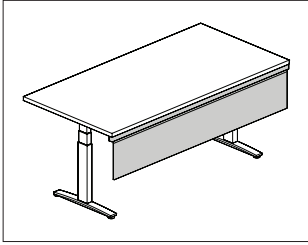
---

<b>2U</b>	light brown walnut	+\$0
<b>40</b>	dark brown walnut	+\$0
<b>UL</b>	natural maple	+\$0

---

# Fabric Modesty Panel

Y1114.



## Product Information

### Description

This modesty panel attaches to a table, desk, peninsula, or work surface. It has a fabric surface with aluminum top rail and attachment brackets. Attachment hardware included.

### Notes

Specify modesty panel to be equal to surface width, or 6" less than surface width of a height adjustable table.

For use with flip top table (DT5Ax.), modesty panel (Y1114.) is recommended to enable optimal folding functionality of the table.

### Dimensions



## Specification Information

### Step 1.

Y1114.  A

### Step 2. Width

- 24 24" wide  A
- 30 30" wide  A
- 36 36" wide  A
- 42 42" wide  A
- 48 48" wide  A
- 54 54" wide  A
- 60 60" wide  A
- 66 66" wide  A
- 72 72" wide  A

### Prices for Steps 1-2.

Y1114. 24	\$172
30	\$187
36	\$203
42	\$215
48	\$230
54	\$258
60	\$271
66	\$286
72	\$297

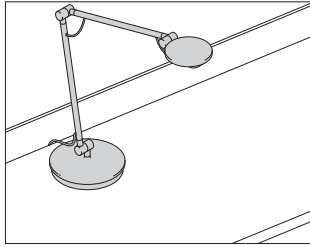
### Step 3. Fabric

Price Category 1 + \$0



# Tone™ Personal Light

Y6480.



## Product Information

### Description

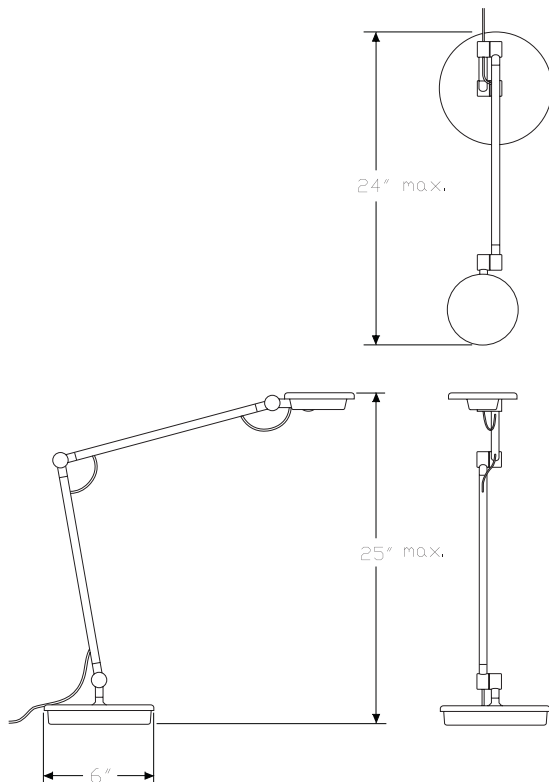
This articulating LED task light sits freestanding, clamps to a surface, or mounts on a rail tile. This light swivels 360° at the base while articulating joints at the base, head, and midsection give precise control over the lighted area. The energy-efficient light-emitting diode (LED) has a 3500 Kelvin color temperature that consumes slightly more than 6 watts of power at full output. The light can be dimmed dynamically by the user down to 15% of full power, includes an integrated touch switch, and has a 12' cord. UL listed power supply is included.

### Notes

Light has energy saving auto shutoff feature after 9 hours of use.

When specifying rail tile option (TR), it is suggested to mount close to the surface.

### Dimensions



## Specification Information

### Step 1.

**Y6480.**

### Step 2. Attachment Bracket

<b>CM</b>	surface clamp
<b>FR</b>	freestanding
<b>TR</b>	rail tile

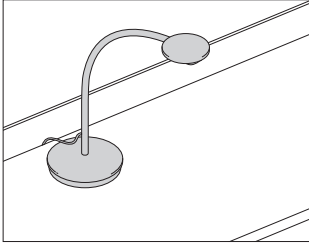
### Prices for Steps 1-2.

<b>Y6480. CM</b>	\$409
<b>FR</b>	\$409
<b>TR</b>	\$409

### Step 3. Finish

<b>91</b>	white	+\$0
<b>G2</b>	graphite satin	+\$0
<b>MS</b>	metallic silver	+\$0

Tone™ Single-Arm Personal Light Y6481.



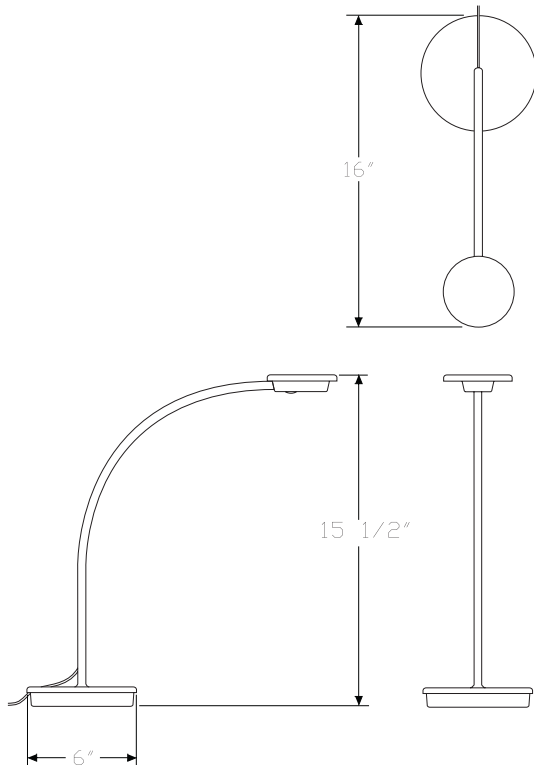
**Product Information**

**Description**  
 This single-arm LED task light sits freestanding, clamps to a surface, or mounts on a rail tile. This light swivels 360° at the base while keeping it at a constant height from the surface. The energy-efficient light-emitting diode (LED) has a 3500 Kelvin color temperature that consumes slightly more than 6 watts of power at full output. The light can be dimmed dynamically by the user down to 15% of full power, includes an integrated touch switch, and has a 12' cord. UL listed power supply is included.

**Notes**

Light has energy saving auto shutoff feature after 9 hours of use.  
 When specifying rail tile option (TR), it is suggested to mount close to the surface.

**Dimensions**



**Specification Information**

**Step 1.**

**Y6481.**

**Step 2. Attachment Bracket**

- CM** surface clamp
- FR** freestanding
- TR** rail tile

**Prices for Steps 1-2.**

<b>Y6481. CM</b>	\$356
<b>FR</b>	\$356
<b>TR</b>	\$356

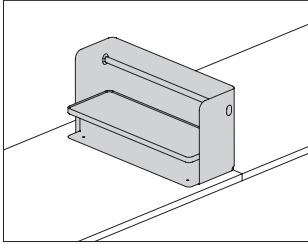
**Step 3. Finish**

<b>91</b> white	+\$0
<b>G2</b> graphite satin	+\$0
<b>MS</b> metallic silver	+\$0

Thrive® Personal Lighting

# Small Organizer

YT100.



### Product Information

#### Description

This small organizer rests on the surface. It has a painted metal shelf and rod for attaching and holding accessory products and other items. The steel frame allows magnetic attachment of the document clip, marker board and name tag. The container accessories fit on the organizer above or below the shelf. The USB power module attaches to the underside of the shelf. The rod bookend attaches to the rod. Rod finish matches organizer finish.

#### Notes

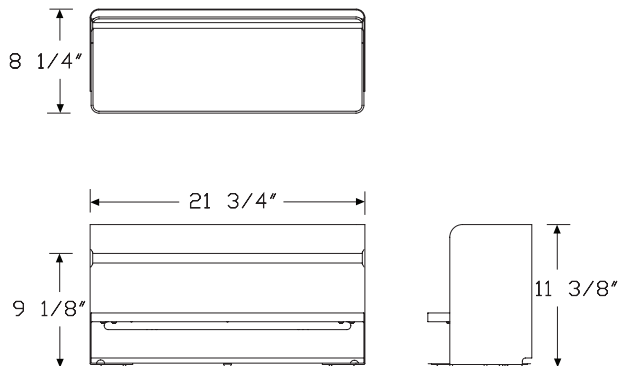
Order the following accessories separately:

- Magnetic document clip (YT400.)
- Name tag (YT410.)
- USB power module (YT420.)
- Rod bookend (YT440.)
- Magnetic marker board (YT450.)
- Organizer liner (YT500.)
- Short bin (YT800.)
- Square pencil cup (YT820.)
- Round pencil cup (YT825.)
- Tray (YT830.)
- Box (YT840.)

Order surface clamp for organizers (YT460.) separately.

Small organizer is recommended for use on Renew™ Link single-sided and back-to-back rectangular height-adjustable benches (DU1A, DU2A). It is not recommended for use on Renew Link back-to-back trapezoid height-adjustable bench (DU2T).

#### Dimensions



### Specification Information

#### Step 1.

**YT100.**

#### Step 2. Height

**11** 11" high

#### Step 3. Width

**08** 8" wide

#### Step 4. Depth

**22** 22" deep

#### Step 5. Shelf Material

**M** painted metal

**L** insert liner

#### Prices for Steps 1-5.

	<b>22M</b>	<b>22L</b>
<b>YT100. 11 08</b>	\$407	489

#### Step 6. Organizer Finish

**91** white  +\$0

**98** studio white  +\$0

**G1** graphite  +\$0

**MS** metallic silver  +\$0

#### Step 7. Insert Liner Finish

For insert liner (L)

**1HS01** hush canyon  +\$0

**1HS02** hush pesto  +\$0

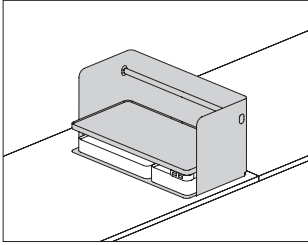
**1HS03** hush bayou  +\$0

**1HS04** hush greystone  +\$0

**1HS05** hush charcoal  +\$0

# Large Organizer

YT150.



## Product Information

### Description

This large organizer rests on the surface. It has a painted metal shelf and rod for attaching and holding accessory products and other items. The steel frame allows magnetic attachment of the document clip, marker board and name tag. The accessory containers fit on the organizer above or below the shelf. The USB power module attaches to the underside of the shelf. The rod bookend attaches to the rod. Rod finish matches organizer finish.

### Notes

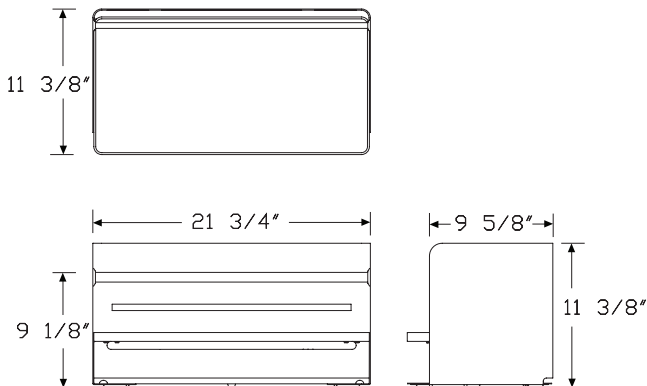
Order the following accessories separately:

- Magnetic document clip (YT400.)
- Name tag (YT410.)
- USB power module (YT420.)
- Rod bookend (YT440.)
- Magnetic marker board (YT450.)
- Organizer liner (YT500.)
- Short bin (YT800.)
- Square pencil cup (YT820.)
- Round pencil cup (YT825.)
- Tray (YT830.)
- Box (YT840.)

Order surface clamp for organizers (YT460.) separately.

Large organizer is recommended for use on Renew™ Link single-sided and back-to-back rectangular height-adjustable benches (DU1A, DU2A). It is not recommended for use on Renew Link back-to-back trapezoid height-adjustable bench (DU2T).

### Dimensions



## Specification Information

### Step 1.

**YT150.**  A

### Step 2. Height

**11** 11" high  A

### Step 3. Width

**11** 11" wide  A

### Step 4. Depth

**22** 22" deep  A

### Step 5. Shelf Material

**M** painted metal  A

**L** insert liner  A

### Prices for Steps 1-5.

	<b>22M</b>	<b>22L</b>
<b>YT150. 11 11</b>	\$466	559

### Step 6. Organizer Finish

**91** white  A +\$0

**98** studio white  A +\$0

**G1** graphite  A +\$0

**MS** metallic silver  A +\$0

### Step 7. Insert Liner Finish

For insert liner (L)

**1HS01** hush canyon  A +\$0

**1HS02** hush pesto  A +\$0

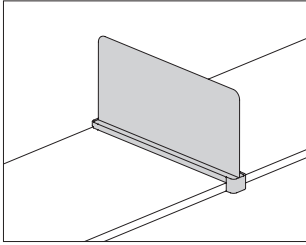
**1HS03** hush bayou  A +\$0

**1HS04** hush greystone  A +\$0

**1HS05** hush charcoal  A +\$0

# Slim Screen

YT200.



### Product Information

#### Description

This screen clamps to the front and back of a surface and is movable without tools. Steel screen allows for attachment of the magnetic document clip, name tag, and magnetic marker board. Screen comes with a ledge liner in a choice of colors.

#### Notes

Clamp attaches to square edge surfaces with minimum 1" or 1 1/8" nominal thickness.

No HermanMiller legs interfere with the clamp.

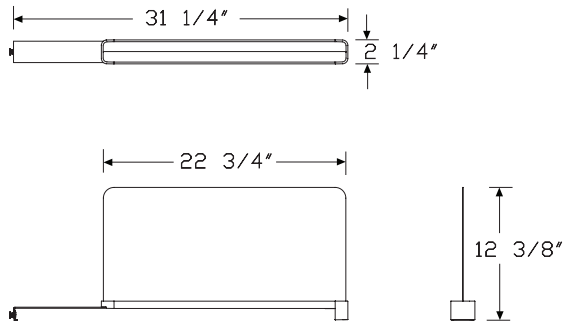
Screen can be mounted to surfaces 24"-36" deep. 24" deep screen (24) can be adjusted to fit up to a 30" deep work surface. 30" deep screen (30) can be adjusted to fit up to a 36" deep work surface.

Order the following accessories separately:

- Magnetic document clip (YT400.)
- Name tag (YT410.)
- Magnetic marker board (YT450.)
- Slim screen liner (YT540.)

Slim screen is recommended for use on Renew™ Link single-sided and back-to-back rectangular height-adjustable benches (DU1A, DU2A). It is not recommended for use on Renew Link back-to-back trapezoid height-adjustable bench (DU2T).

#### Dimensions



### Specification Information

#### Step 1.

**YT200.**  A

#### Step 2. Height

**11** 11" high  A

#### Step 3. Width

**02** 2" wide  A

#### Step 4. Depth

**24** 24" deep  A

**30** 30" deep  A

#### Step 5. Attachment Type

**S** surface clamp  A

#### Step 6. Ledge Material

**L** liner  A

#### Prices for Steps 1-6.

	<b>24SL</b>	<b>30SL</b>
<b>YT200. 11 02</b>	\$287	299

#### Step 7. Screen Finish

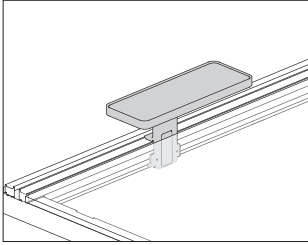
<b>91</b> white <input type="checkbox"/> A	+\$0
<b>98</b> studio white <input type="checkbox"/> A	+\$0
<b>G1</b> graphite <input type="checkbox"/> A	+\$0
<b>MS</b> metallic silver <input type="checkbox"/> A	+\$0

#### Step 8. Ledge Liner Finish

<b>1HS01</b> hush canyon <input type="checkbox"/> A	+\$0
<b>1HS02</b> hush pesto <input type="checkbox"/> A	+\$0
<b>1HS03</b> hush bayou <input type="checkbox"/> A	+\$0
<b>1HS04</b> hush greystone <input type="checkbox"/> A	+\$0
<b>1HS05</b> hush charcoal <input type="checkbox"/> A	+\$0

# Shelf

YT300.



### Product Information

#### Description

This painted metal shelf comes in 4 sizes and mounts to a surface along the back edge, or to a Layout Studio® performance rail. Both attachment types are user movable without tools. The backdrop is optional, and can be easily retrofitted in the field. Backdrop and rod finish match shelf finish. Space under the shelf can accommodate accessory boxes. Shelf comes with a liner in a choice of colors.

#### Notes

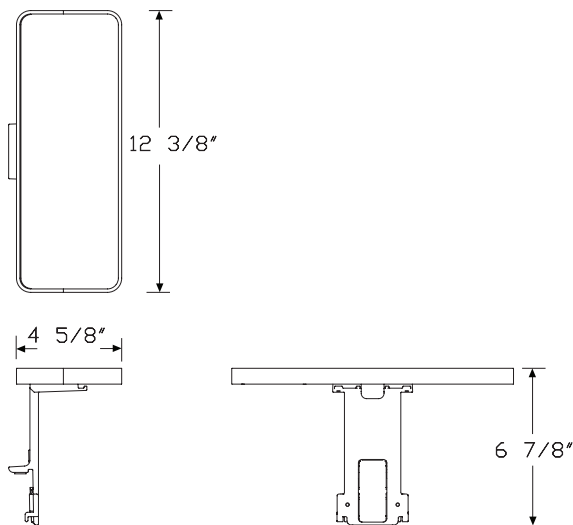
Changing the attachment type on an existing shelf is not easily completed in the field.

Order the following accessories separately:

- Name tag (YT410.)
- USB power module (YT420.)
- Rod bookend (YT440.) for 8" shelf depth only
- Short bin (YT800.)
- Small box (YT840.S)
- Square pencil cup (YT820.)
- Round pencil cup (YT825.)
- Shelf liner (YT510.)

Shelf and backdrop are not recommended for use on Public Office Landscape® desks (BVD1.) in the back-to-back configuration.

### Dimensions



### Specification Information

#### Step 1.

**YT300.**  A

#### Step 2. Height

**04** 4" high  A

#### Step 3. Width

**12** 12" wide  A

**15** 15" wide  A

**22** 22" wide  A

#### Step 4. Depth

##### For 12" wide (12)

**05** 5" deep  A

##### For 15" wide (15)

**08** 8" deep  A

##### For 22" wide (22)

**05** 5" deep  A

**08** 8" deep  A

#### Step 5. Attachment Type

**S** surface clamp stanchion  A

**R** rail mount stanchion for Layout Studio Performance Rail  A

#### Step 6. Backdrop

**N** no backdrop  A

**B** backdrop  A

#### Step 7. Shelf Material

**M** painted metal  A

**L** insert liner  A

#### Prices for Steps 1-7.

	05SNM	05SNL	05SBM	05SBL	05RNM	05RNL
<b>YT300. 04 12</b>	\$176	231	263	318	176	231
<b>22</b>	\$210	287	322	399	210	287
	05RBM	05RBL	08SNM	08SNL	08SBM	08SBL
<b>YT300. 04 12</b>	\$263	318	—	—	—	—
<b>15</b>	—	—	\$190	250	287	347
<b>22</b>	\$322	399	227	309	339	421

Shelf *continued*

	08RNM	08RNL	08RBM	08RBL
<b>YT300. 04 15</b>	\$190	250	287	347
<b>22</b>	\$227	309	339	421

Step 8. Shelf Finish

<b>91</b>	white	<input type="checkbox"/>	A	+\$0
<b>98</b>	studio white	<input type="checkbox"/>	A	+\$0
<b>G1</b>	graphite	<input type="checkbox"/>	A	+\$0
<b>MS</b>	metallic silver	<input type="checkbox"/>	A	+\$0

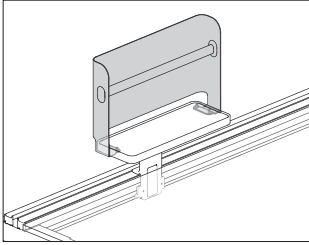
Step 9. Insert Liner Finish

*For insert liner (L)*

<b>1HS01</b>	hush canyon	<input type="checkbox"/>	A	+\$0
<b>1HS02</b>	hush pesto	<input type="checkbox"/>	A	+\$0
<b>1HS03</b>	hush bayou	<input type="checkbox"/>	A	+\$0
<b>1HS04</b>	hush greystone	<input type="checkbox"/>	A	+\$0
<b>1HS05</b>	hush charcoal	<input type="checkbox"/>	A	+\$0

# Shelf Backdrop

YT310.



## Product Information

### Description

This backdrop can be retrofitted to the shelf in the field with minimal installation. Rod finish matches backdrop finish.

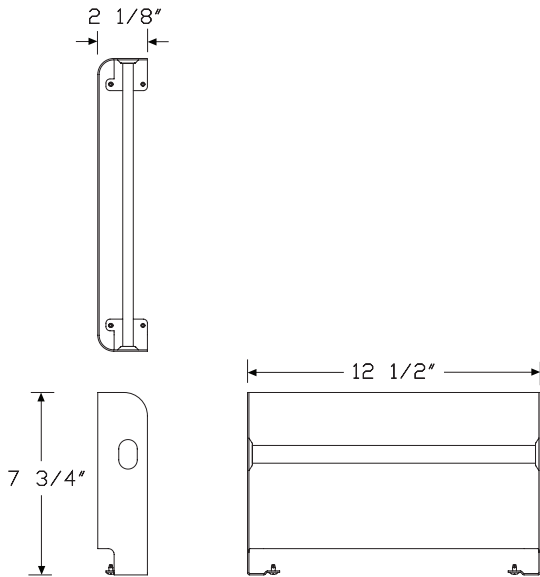
### Notes

This backdrop is to be used only with shelf (YT300.).

Order the following accessories separately:

- Name tag (YT410.)
- Rod bookend (YT440.) for 8" depth shelf only

## Dimensions



## Specification Information

### Step 1.

**YT310.**  A

### Step 2. Height

**07** 7" high  A

### Step 3. Width

**12** 12" wide  A

**15** 15" wide  A

**22** 22" wide  A

### Prices for Steps 1-3.

	12	15	22
<b>YT310. 07</b>	\$87	97	112

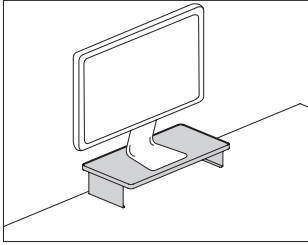
### Step 4. Backdrop Finish

<b>91</b> white <input type="checkbox"/> A	+\$0
<b>98</b> studio white <input type="checkbox"/> A	+\$0
<b>G1</b> graphite <input type="checkbox"/> A	+\$0
<b>MS</b> metallic silver <input type="checkbox"/> A	+\$0



# Monitor Platform Shelf

YT320.



### Product Information

#### Description

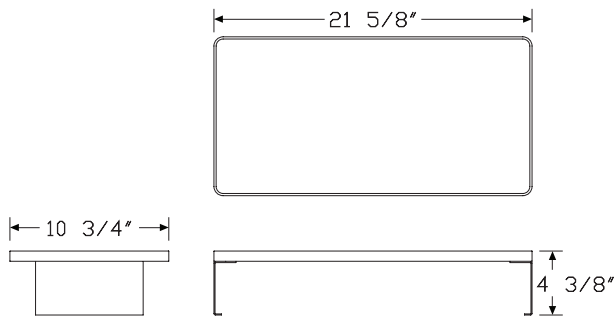
This painted steel shelf rests on a work surface and can hold a computer monitor when a monitor arm is not used. An optional shelf liner comes in a choice of colors. The short bin and small box accessories fit under the shelf.

#### Notes

Order the following accessories separately:

- USB power module (YT420.)
- Monitor platform shelf liner (YT520.)
- Short bin (YT800.)
- Small box (YT840.S)

#### Dimensions



### Specification Information

#### Step 1.

**YT320.**

#### Step 2. Height

**04** 4" high

#### Step 3. Width

**22** 22" wide

#### Step 4. Depth

**11** 11" deep

#### Step 5. Shelf Material

**M** painted metal

**L** insert liner

#### Prices for Steps 1-5.

	<b>11M</b>	<b>11L</b>
<b>YT320. 04 22</b>	\$242	335

#### Step 6. Monitor Platform Shelf Finish

<b>91</b> white <input type="checkbox"/>	+\$0
<b>98</b> studio white <input type="checkbox"/>	+\$0
<b>G1</b> graphite <input type="checkbox"/>	+\$0
<b>MS</b> metallic silver <input type="checkbox"/>	+\$0

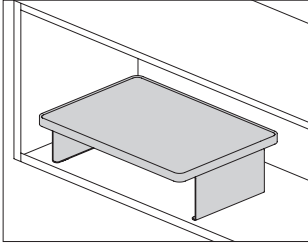
#### Step 7. Insert Liner Finish

For insert liner (L)

<b>1HS01</b> hush canyon <input type="checkbox"/>	+\$0
<b>1HS02</b> hush pesto <input type="checkbox"/>	+\$0
<b>1HS03</b> hush bayou <input type="checkbox"/>	+\$0
<b>1HS04</b> hush greystone <input type="checkbox"/>	+\$0
<b>1HS05</b> hush charcoal <input type="checkbox"/>	+\$0

# Freestanding Shelf

YT330.



## Product Information

### Description

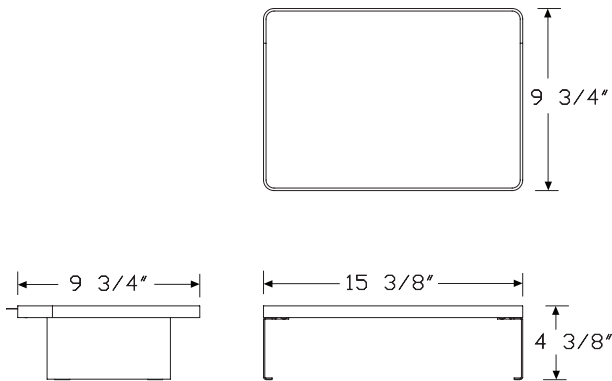
This painted steel shelf rests on a work surface. An optional shelf liner comes in a choice of colors. The short bin and small box accessories fit under the shelf.

### Notes

Order the following accessories separately:

- USB power module (YT420.)
- Shelf liner (YT530.)
- Short bin (YT800.)
- Small box (YT840.S)

### Dimensions



## Specification Information

### Step 1.

**YT330.**  A

### Step 2. Height

**04** 4" high  A

### Step 3. Width

**15** 15" wide  A

### Step 4. Depth

**11** 11" deep  A

### Step 5. Shelf Material

**M** painted metal  A

**L** insert liner  A

### Prices for Steps 1-5.

	<b>11M</b>	<b>11L</b>
<b>YT330. 04 15</b>	\$197	279

### Step 6. Shelf Finish

**91** white  A +\$0

**98** studio white  A +\$0

**G1** graphite  A +\$0

**MS** metallic silver  A +\$0

### Step 7. Insert Liner Finish

*For insert liner (L)*

**1HS01** hush canyon  A +\$0

**1HS02** hush pesto  A +\$0

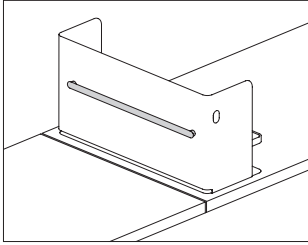
**1HS03** hush bayou  A +\$0

**1HS04** hush greystone  A +\$0

**1HS05** hush charcoal  A +\$0

# Magnetic Document Clip

YT400.



### Product Information

#### Description

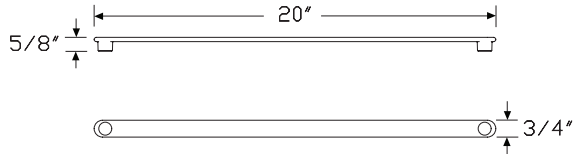
This document clip magnetically attaches to the back of the large and small organizers and the screen to provide storage for documents.

#### Notes

Magnetic document clip fits on the following products, ordered separately:

- Small organizer (YT100.)
- Large organizer (YT150.)
- Slim screen (YT200.)

#### Dimensions



### Specification Information

#### Step 1.

**YT400.**

#### Step 2. Depth

**20** 20" deep

#### Prices for Steps 1-2.

**YT400. 20** \$70

#### Step 3. Finish

**91** white  +\$0

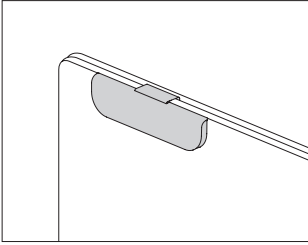
**98** studio white  +\$0

**G1** graphite  +\$0

**MS** metallic silver  +\$0

# Name Tag

YT410.



### Product Information

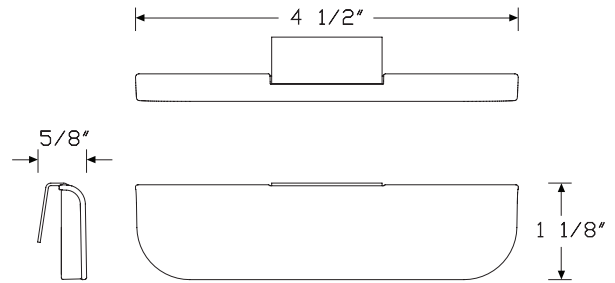
**Description**  
This clear name tag hangs on frameless fabric screens or magnetically attaches to a variety of work tool products.

### Notes

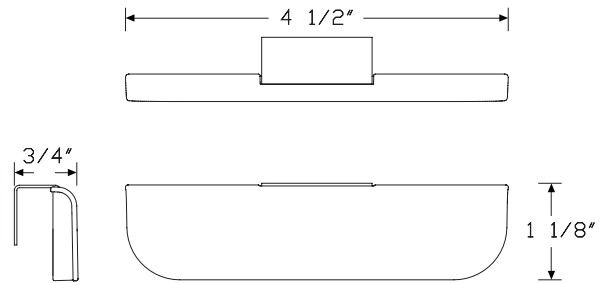
Name tag with magnetic bracket (M) can attach to the small organizer (YT100.), large organizer (YT150.), or shelf with backdrop (YT300. xxxxxxB).  
Name tag with Pari screen bracket (P) or flat edge screen bracket (S) can hang on any HermanMiller Pari screen or flat edge screen.  
Order name tag insert (O.YT1900) separately through Sales Source.

Thrive® Work Tools

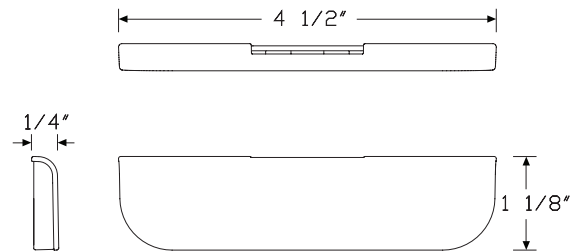
### Dimensions



Pari Screen



Flat Edge Screen



Magnetic

**Specification Information**

Step 1.

**YT410.**  A

Step 2. Width

**05** 5" wide  A

Step 3. Bracket Type

**P** Pari Screen  A

**S** flat edge screen  A

**M** magnetic  A

Prices for Steps 1-3.

	<b>P</b>	<b>S</b>	<b>M</b>
<b>YT410. 05</b>	\$32	32	32

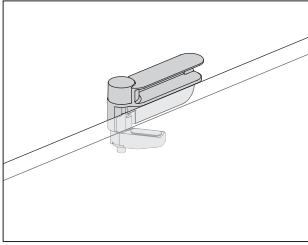
Step 4. Finish

*For Pari Screen (P) or flat edge screen (S)*

**MS** metallic silver  A +\$0

# Cord Cleat

YT430.



### Product Information

**Description**  
 This plastic cleat clamps to a work surface to provide cord management. It is easily movable by the user, and can hold up to 4 round monitor cords.

**Notes**  
 Cord cleat works with work surfaces from 3/4" to 1 1/8" thick.

### Dimensions

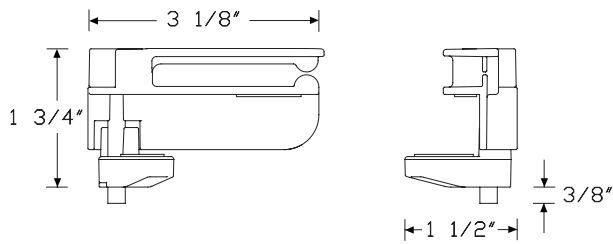
### Specification Information

**Step 1.**  
**YT430.** [A] \$27

**Step 2. Finish**

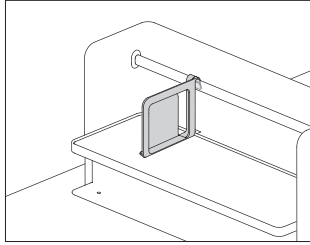
<b>91</b>	white [A]	+\$0
<b>98</b>	studio white [A]	+\$0
<b>CL</b>	cool grey neutral [A]	+\$0
<b>G1</b>	graphite [A]	+\$0

Thrive® Work Tools



# Rod Bookend

YT440.



### Product Information

#### Description

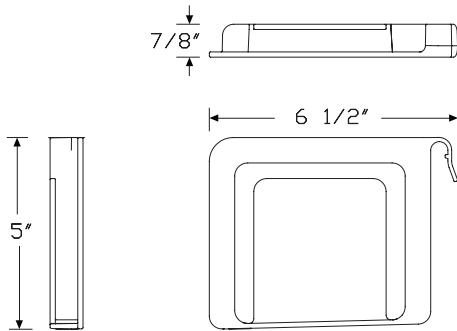
This bookend vertically divides books, binders, and folders. It attaches to the rod of the small and large organizers and the shelf with backdrop, and is easily moved by the user.

#### Notes

Order the following products separately:

- Small organizer (YT100.)
- Large organizer (YT150.)
- Shelf with backdrop (YT300.xxxx08xB)

#### Dimensions



### Specification Information

#### Step 1.

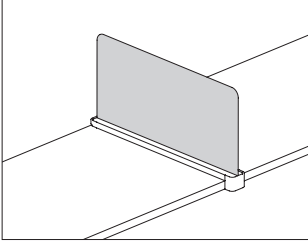
**YT440.** [A] \$27

#### Step 2. Finish

<b>91</b>	white [A]	+\$0
<b>98</b>	studio white [A]	+\$0
<b>CL</b>	cool grey neutral [A]	+\$0
<b>G1</b>	graphite [A]	+\$0

# Magnetic Marker Board

YT450.



### Product Information

**Description**  
This white magnetic marker board attaches to a slim screen and large and small organizers and is user movable.

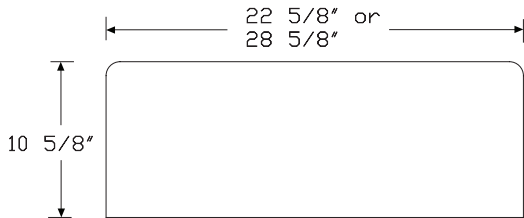
### Notes

Order the following products separately:

- Small organizer (YT100.)
- Large organizer (YT150.)
- Slim screen (YT200.)

### Dimensions

Thrive® Work Tools



### Specification Information

#### Step 1.

**YT450.**  A

#### Step 2. Application

- 1** 24" deep screen  A
- 2** 30" deep screen  A

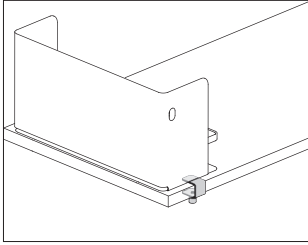
#### Prices for Steps 1-2.

<b>YT450. 1</b>	\$50
<b>2</b>	\$60



# Surface Clamp

YT460.



### Product Information

#### Description

This clamp can be added to the small and large organizers.

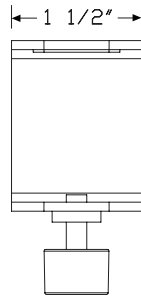
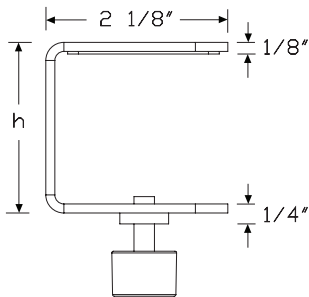
#### Notes

Surface clamp attaches to square edge work surfaces from  $\frac{3}{4}$ " to  $1\frac{1}{8}$ " thick.

Specify standard application (1) for use with most HermanMiller work surfaces and legs. See Planning Guide for exact applications.

Specify Canvas Office Landscape® universal leg application (2) to clamp an organizer on top of a Canvas universal leg.

#### Dimensions



### Specification Information

#### Step 1.

**YT460.** [A]

#### Step 2. Application

- 1 standard [A]
- 2 Canvas Office Landscape® universal leg [A]

#### Prices for Steps 1-2.

<b>YT460. 1</b>	\$50
<b>2</b>	\$50

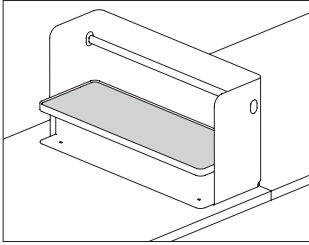
#### Step 3. Finish

<b>91</b> white [A]	+\$0
<b>98</b> studio white [A]	+\$0
<b>G1</b> graphite [A]	+\$0
<b>MS</b> metallic silver [A]	+\$0

Thrive® Work Tools

# Organizer Liner

YT500.



### Product Information

#### Description

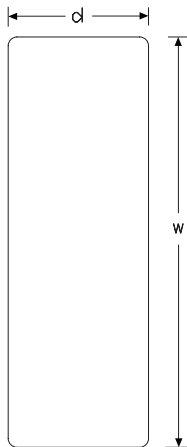
This liner retrofits to the small and large organizers. It is user movable without tools. Top material is polyester felt.

#### Notes

Specify 8" width (08) for a small organizer (YT100).

Specify 11" width (11) for a large organizer (YT150).

#### Dimensions



Thrive® Work Tools

### Specification Information

#### Step 1.

**YT500.**  A

#### Step 2. Width

**08** 8" wide  A

**11** 11" wide  A

#### Step 3. Depth

**22** 22" deep  A

#### Prices for Steps 1-3.

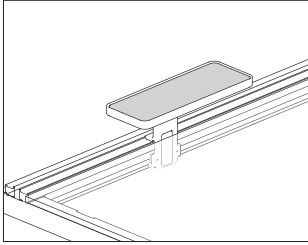
	<b>22</b>
<b>YT500. 08</b>	\$82
<b>11</b>	\$93

#### Step 4. Liner Finish

<b>1HS01</b> hush canyon <input type="checkbox"/> A	+ \$0
<b>1HS02</b> hush pesto <input type="checkbox"/> A	+ \$0
<b>1HS03</b> hush bayou <input type="checkbox"/> A	+ \$0
<b>1HS04</b> hush greystone <input type="checkbox"/> A	+ \$0
<b>1HS05</b> hush charcoal <input type="checkbox"/> A	+ \$0

# Shelf Liner

YT510.



### Product Information

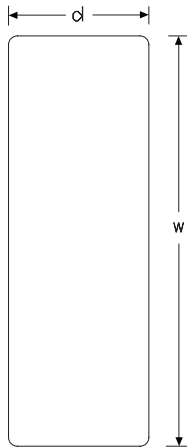
#### Description

This liner retrofits to the shelf. It is user movable without tools. Top material is polyester felt.

#### Notes

Shelf liner is compatible with shelf (YT300.).

#### Dimensions



### Specification Information

#### Step 1.

**YT510.**  A

#### Step 2. Width

**12** 12" wide  A

**15** 15" wide  A

**22** 22" wide  A

#### Step 3. Depth

##### For 12" wide (12)

**05** 5" deep  A

##### For 15" wide (15)

**08** 8" deep  A

##### For 22" wide (22)

**05** 5" deep  A

**08** 8" deep  A

#### Prices for Steps 1-3.

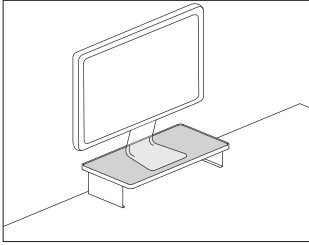
	<b>05</b>	<b>08</b>
<b>YT510. 12</b>	\$55	—
<b>15</b>	—	\$60
<b>22</b>	\$77	82

#### Step 4. Liner Finish

<b>1HS01</b> hush canyon <input type="checkbox"/> A	+\$0
<b>1HS02</b> hush pesto <input type="checkbox"/> A	+\$0
<b>1HS03</b> hush bayou <input type="checkbox"/> A	+\$0
<b>1HS04</b> hush greystone <input type="checkbox"/> A	+\$0
<b>1HS05</b> hush charcoal <input type="checkbox"/> A	+\$0

Monitor Platform Shelf Liner

YT520.



**Product Information**

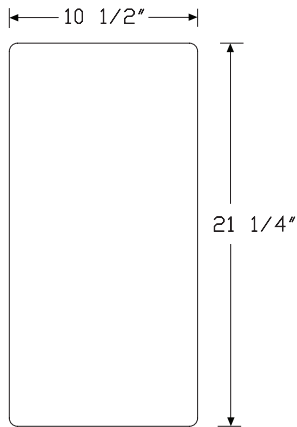
**Description**

This liner retrofits to the monitor platform shelf. It is user movable without tools. Top material is polyester felt.

**Notes**

Liner is compatible with monitor platform shelf (YT320.).

**Dimensions**



Thrive® Work Tools

**Specification Information**

**Step 1.**

**YT520.**  A

**Step 2. Width**

**22** 22" wide  A

**Step 3. Depth**

**11** 11" deep  A

**Prices for Steps 1-3.**

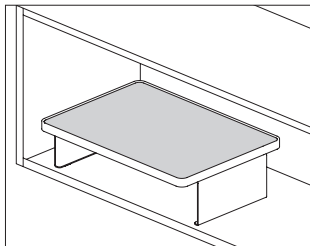
	<b>11</b>
<b>YT520. 22</b>	<b>\$93</b>

**Step 4. Liner Finish**

<b>1HS01</b> hush canyon <input type="checkbox"/> A	+\$0
<b>1HS02</b> hush pesto <input type="checkbox"/> A	+\$0
<b>1HS03</b> hush bayou <input type="checkbox"/> A	+\$0
<b>1HS04</b> hush greystone <input type="checkbox"/> A	+\$0
<b>1HS05</b> hush charcoal <input type="checkbox"/> A	+\$0

# Freestanding Shelf Liner

YT530.



### Product Information

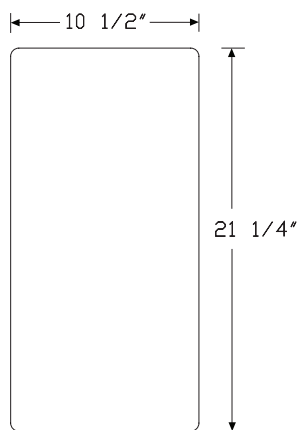
#### Description

This liner retrofits to the freestanding shelf. It is user movable without tools. Top material is polyester felt.

#### Notes

Liner is compatible with shelf (YT330.).

#### Dimensions



### Specification Information

#### Step 1.

**YT530.**  A

#### Step 2. Width

**15** 15" wide  A

#### Step 3. Depth

**11** 11" deep  A

#### Prices for Steps 1-3.

	<b>11</b>
<b>YT530. 15</b>	<b>\$82</b>

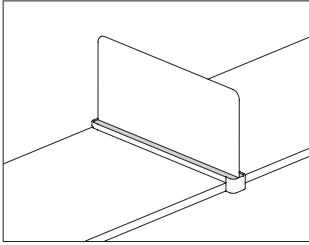
#### Step 4. Liner Finish

<b>1HS01</b> hush canyon <input type="checkbox"/> A	+\$0
<b>1HS02</b> hush pesto <input type="checkbox"/> A	+\$0
<b>1HS03</b> hush bayou <input type="checkbox"/> A	+\$0
<b>1HS04</b> hush greystone <input type="checkbox"/> A	+\$0
<b>1HS05</b> hush charcoal <input type="checkbox"/> A	+\$0

Thrive® Work Tools

# Slim Screen Liner

YT540.

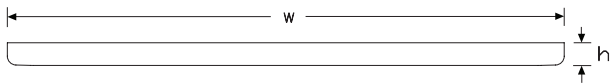


### Product Information

**Description**  
 This liner retrofits to the slim screen. It is user movable without tools.  
 Top material is polyester felt.

**Notes**  
 Liner is compatible with slim screen (YT200.).

### Dimensions



Thrive® Work Tools

### Specification Information

**Step 1.**

**YT540.**  A

**Step 2. Width**

**02** 2" wide  A

**Step 3. Depth**

**24** 24" deep  A

**30** 30" deep  A

**Prices for Steps 1-3.**

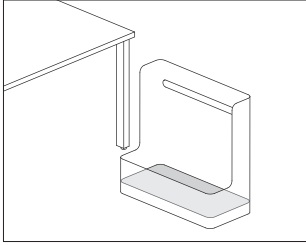
	<b>24</b>	<b>30</b>
<b>YT540. 02</b>	\$55	72

**Step 4. Liner Finish**

<b>1HS01</b> hush canyon <input type="checkbox"/> A	+\$0
<b>1HS02</b> hush pesto <input type="checkbox"/> A	+\$0
<b>1HS03</b> hush bayou <input type="checkbox"/> A	+\$0
<b>1HS04</b> hush greystone <input type="checkbox"/> A	+\$0
<b>1HS05</b> hush charcoal <input type="checkbox"/> A	+\$0

# Mobile Bag Catch Base Liner

YT560.



### Product Information

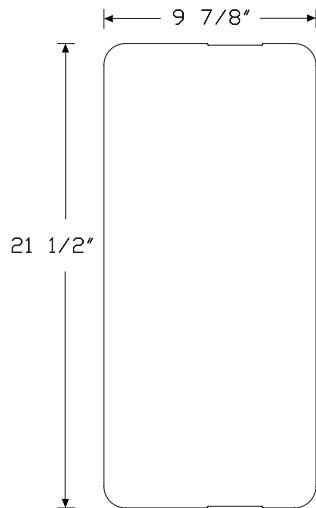
#### Description

This liner retrofits to the base of the mobile bag catch. It is user movable without tools. Top material is polyester felt.

#### Notes

Base liner is compatible with mobile bag catch (YT710).

#### Dimensions



### Specification Information

#### Step 1.

**YT560.**  A

#### Step 2. Width

**10** 10" wide  A

#### Step 3. Depth

**22** 22" deep  A

#### Prices for Steps 1-3.

	<b>22</b>
<b>YT560. 10</b>	\$110

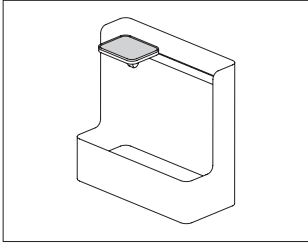
#### Step 4. Liner Finish

<b>1HS01</b> hush canyon <input type="checkbox"/> A	+\$0
<b>1HS02</b> hush pesto <input type="checkbox"/> A	+\$0
<b>1HS03</b> hush bayou <input type="checkbox"/> A	+\$0
<b>1HS04</b> hush greystone <input type="checkbox"/> A	+\$0
<b>1HS05</b> hush charcoal <input type="checkbox"/> A	+\$0

Thrive® Work Tools

# Mobile Bag Catch Shelf Liner

YT565.



## Product Information

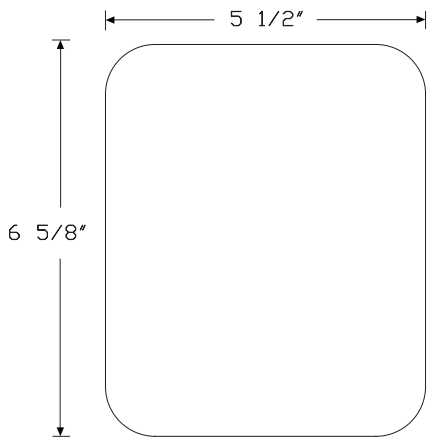
### Description

This liner retrofits to the shelf of the mobile bag catch. It is user movable without tools. Top material is polyester felt.

### Notes

Shelf liner is compatible with mobile bag catch (YT710.) and mobile bag catch shelf (YT715.).

### Dimensions



Thrive® Work Tools

## Specification Information

### Step 1.

**YT565.**  A

### Step 2. Width

**06** 6" wide  A

### Step 3. Depth

**07** 7" deep  A

### Prices for Steps 1-3.

	<b>07</b>
<b>YT565. 06</b>	\$45

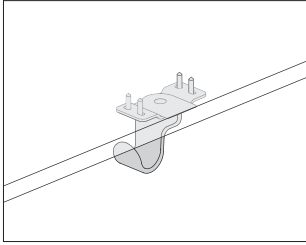
### Step 4. Liner Finish

<b>1HS01</b> hush canyon <input type="checkbox"/> A	+ \$0
<b>1HS02</b> hush pesto <input type="checkbox"/> A	+ \$0
<b>1HS03</b> hush bayou <input type="checkbox"/> A	+ \$0
<b>1HS04</b> hush greystone <input type="checkbox"/> A	+ \$0
<b>1HS05</b> hush charcoal <input type="checkbox"/> A	+ \$0



# Bag Hook

YT700.



### Product Information

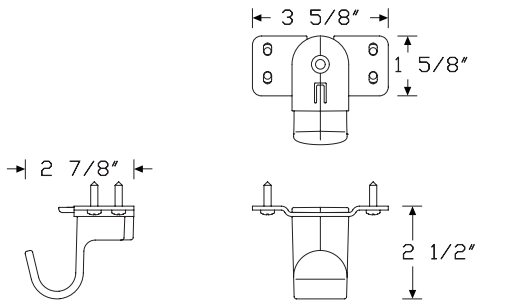
#### Description

This bag hook clamps to a work surface or mounts under the surface with screws. The hook rotates 360° to hold the bag under the surface. Clamp mount is easily moved by the user. Fixed attachment option includes attachment hardware.

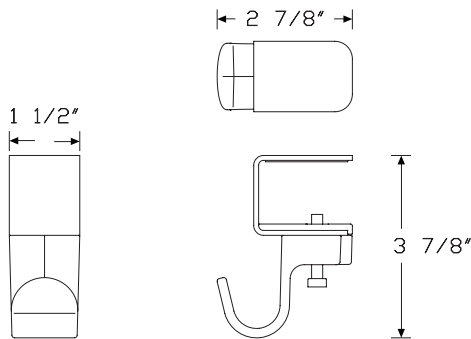
#### Notes

Clamp attaches to work surfaces from 3/4" to 1 1/8" thick.  
Maximum weight capacity is 15 pounds for clamp and fixed attachment.

#### Dimensions



Bag Hook Fixed



Bag Hook Clamp

### Specification Information

#### Step 1.

YT700.  A

#### Step 2. Attachment Type

C clamp  A

F fixed  A

#### Prices for Steps 1-2.

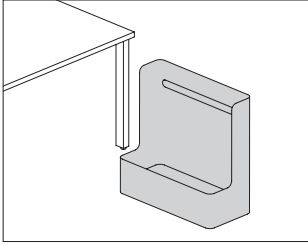
YT700. C \$45  
F \$45

#### Step 3. Finish

91 white  A +\$0  
98 studio white  A +\$0  
G1 graphite  A +\$0  
MS metallic silver  A +\$0

# Mobile Bag Catch

YT710.



## Product Information

### Description

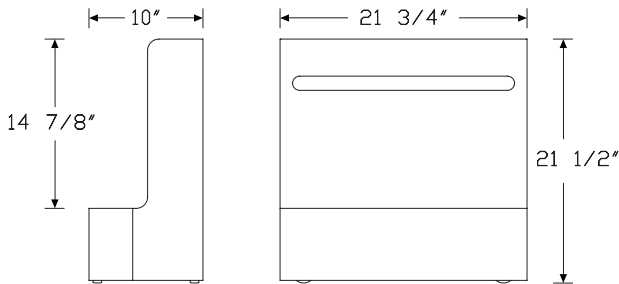
This mobile bag catch provides storage for a personal bag. It also provides a natural boundary between users on either side of the catch. It rests on wheels for ease of movement. An optional shelf liner is available in a choice of colors.

### Notes

Order the following products separately:

- Mobile bag catch base liner (YT560.)
- Mobile bag catch shelf liner (YT565.)

### Dimensions



Thrive® Work Tools

## Specification Information

### Step 1.

**YT710.**

### Step 2. Height

**21** 21" high

### Step 3. Width

**10** 10" wide

### Step 4. Depth

**22** 22" deep

### Step 5. Base Material

**L** insert liner

### Step 6. Shelf Option

**N** no shelf

**S** shelf

### Step 7. Shelf Material

#### For no shelf (N)

**N** no shelf

#### For shelf (S)

**M** painted metal

**L** insert liner

### Prices for Steps 1-7.

	22LNN	22LSM	22LSL
<b>YT710. 21 10</b>	\$482	512	557

### Step 8. Bag Cubby Finish

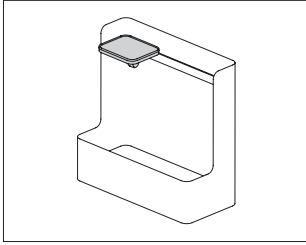
<b>91</b> white <input type="checkbox"/>	+\$0
<b>98</b> studio white <input type="checkbox"/>	+\$0
<b>G1</b> graphite <input type="checkbox"/>	+\$0
<b>MS</b> metallic silver <input type="checkbox"/>	+\$0

### Step 9. Insert Liner Finish

<b>1HS01</b> hush canyon <input type="checkbox"/>	+\$0
<b>1HS02</b> hush pesto <input type="checkbox"/>	+\$0
<b>1HS03</b> hush bayou <input type="checkbox"/>	+\$0
<b>1HS04</b> hush greystone <input type="checkbox"/>	+\$0
<b>1HS05</b> hush charcoal <input type="checkbox"/>	+\$0

# Mobile Bag Catch Shelf

YT715.



### Product Information

#### Description

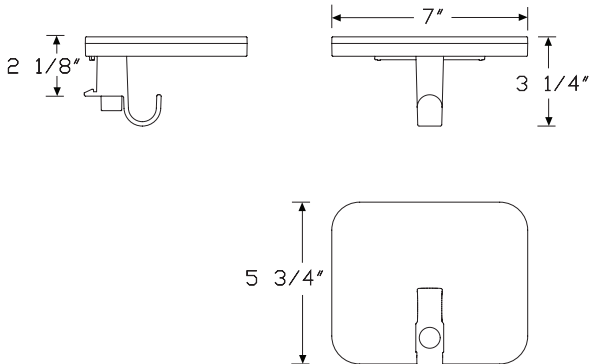
This painted metal shelf can be retrofit to the mobile bag catch. An optional liner is available in a choice of colors.

#### Notes

Order the following products separately:

- Mobile bag catch (YT710.)
- Mobile bag catch shelf liner (YT565.)

#### Dimensions



### Specification Information

#### Step 1.

**YT715.**  A

#### Step 2. Width

**06** 6" wide  A

#### Step 3. Depth

**07** 7" deep  A

#### Step 4. Shelf Material

**M** painted metal  A

**L** insert liner  A

#### Prices for Steps 1-4.

	M	L
<b>YT715. 06 07</b>	\$60	105

#### Step 5. Mobile Bag Catch Shelf Finish

<b>91</b> white <input type="checkbox"/> A	+\$0
<b>98</b> studio white <input type="checkbox"/> A	+\$0
<b>G1</b> graphite <input type="checkbox"/> A	+\$0
<b>MS</b> metallic silver <input type="checkbox"/> A	+\$0

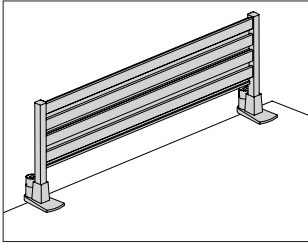
#### Step 6. Insert Liner Finish

For insert liner (L)

<b>1HS01</b> hush canyon <input type="checkbox"/> A	+\$0
<b>1HS02</b> hush pesto <input type="checkbox"/> A	+\$0
<b>1HS03</b> hush bayou <input type="checkbox"/> A	+\$0
<b>1HS04</b> hush greystone <input type="checkbox"/> A	+\$0
<b>1HS05</b> hush charcoal <input type="checkbox"/> A	+\$0

# Surface-Attached Tool Rail

Y7100.



### Product Information

#### Description

This all metal rail clamps to the edge of a freestanding surface. It has 4 forward facing slots for mounting. Accessories typically used on Ethospace® tiles and Action Office® rail tiles can be mounted on this surface attached tool rail.

#### Notes

Order accessories such as paper trays and shelves separately.

Surface clamp adjusts to fit surfaces  $\frac{1}{2}$ " to  $1\frac{5}{8}$ " thick.

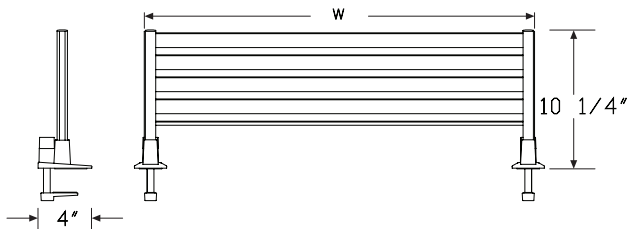
Gap on back side of surface will be 1" to allow for clamping bracket attachment.

There are 4 horizontal slots for hanging accessories on the 8" height unit. 8" height refers to tile height; overall height from top of surface is approximately 10".

Usable hanging space approximately 3" less than overall width.

Not recommended for use with rail mounted monitor arms.

#### Dimensions



### Specification Information

#### Step 1.

**Y7100.**

#### Step 2. Width

- 24** 24" wide
- 30** 30" wide
- 36** 36" wide

#### Step 3. Height

- 08** 8" high

#### Prices for Steps 1-3.

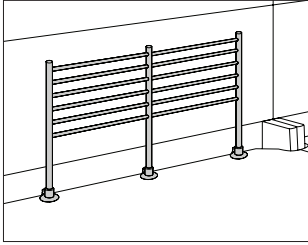
	<b>08</b>
<b>Y7100. 24</b>	\$316
<b>30</b>	\$346
<b>36</b>	\$378

#### Step 4. Finish

<b>91</b> white	+\$0
<b>G2</b> graphite satin	+\$0
<b>MS</b> metallic silver	+\$0

Thrive® Work Tools

Work Surface-Attached Tool Rail Y7000.



**Product Information**

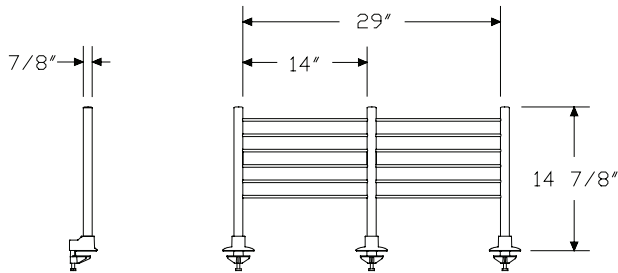
**Description**

This metal rail attaches with C-clamps to the back edge of an Action Office® Series 2 squared-edge work surface, Ethospace® work surface without a cable management trough, Passage® work surface, or squared-edge freestanding surface. It has 6 horizontal rails to hold work tools.

**Notes**

When attaching to Passage surface, 14" rail fits on 30"-wide or larger desk module; 29" rail fits on 42"-wide or larger desk module.  
 When attaching to Action Office Series 2 or Ethospace surface, 14" rail fits on 24"-wide or wider work surface. 29" rail fits on 36"-wide or wider Action Office or Ethospace surface.  
 For accessory product applications, the following Compatibility Charts are available electronically for viewing and printing in Kiosk and HermanMiller.com: Keyboard Compatibility Charts, Pencil Drawer Compatibility Charts, and Work Organizer Compatibility Chart.

**Dimensions**



**Specification Information**

**Step 1.**

**Y7000.**

**Step 2. Width**

- 14** 14" wide
- 29** 29" wide

**Prices for Steps 1-2.**

<b>Y7000. 14</b>	\$211
<b>29</b>	\$324

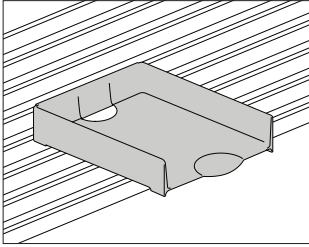
**Step 3. Surface Finish**

<b>8Q</b>	folkstone grey	+\$0
<b>BU</b>	black umber	+\$0
<b>CN</b>	metallic champagne	+\$0
<b>EH</b>	metallic bronze	+\$0
<b>G2</b>	graphite satin	+\$0
<b>HF</b>	inner tone light	+\$0
<b>LU</b>	soft white	+\$0
<b>MS</b>	metallic silver	+\$0
<b>MT</b>	medium tone	+\$0
<b>SG</b>	slate grey	+\$0
<b>WL</b>	sandstone	+\$0
<b>WN</b>	warm grey neutral	+\$0

Thrive® Work Tools

Paper Tray

Y7216.

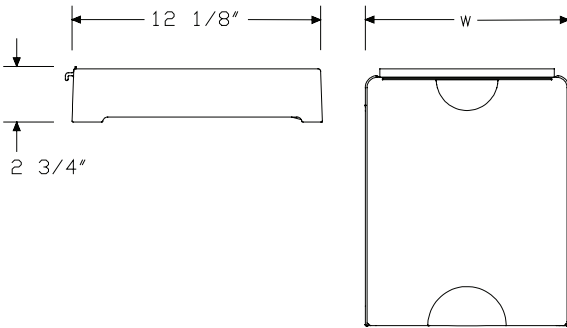


**Product Information**

Description

This plastic tray hangs from a rail or stands alone to horizontally store letter- or legal-size papers. It has 4 integrated feet on the bottom of the tray for standing on a surface or for stacking vertically.

Dimensions



Thrive® Work Tools

**Specification Information**

Step 1.

**Y7216.**

Step 2. Width

- 10** 10" wide
- 16** 16" wide

Prices for Steps 1-2.

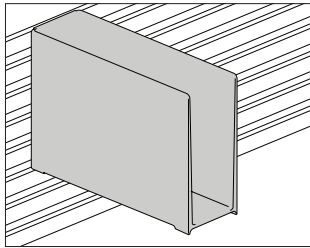
<b>Y7216. 10</b>	\$33
<b>16</b>	\$42

Step 3. Surface Finish

<b>91</b>	white	+\$0
<b>BU</b>	black umber	+\$0
<b>CL</b>	cool grey neutral	+\$0
<b>G1</b>	graphite	+\$0
<b>HF</b>	inner tone light	+\$0
<b>LT</b>	light tone	+\$0
<b>LU</b>	soft white	+\$0
<b>MT</b>	medium tone	+\$0
<b>WN</b>	warm grey neutral	+\$0
<b>XF</b>	frosted	+\$5

# Vertical Tray

Y7217.

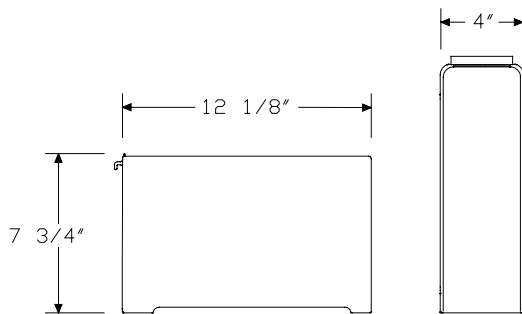


### Product Information

#### Description

This plastic tray hangs from a rail or stands alone to vertically store papers, binders, and folders.

#### Dimensions



### Specification Information

#### Step 1.

**Y7217.4** \$37

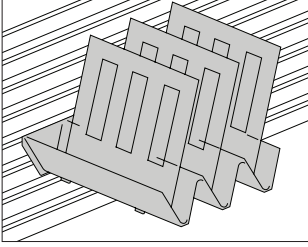
#### Step 2. Surface Finish

<b>91</b>	white	+\$0
<b>BU</b>	black umber	+\$0
<b>CL</b>	cool grey neutral	+\$0
<b>G1</b>	graphite	+\$0
<b>HF</b>	inner tone light	+\$0
<b>LT</b>	light tone	+\$0
<b>LU</b>	soft white	+\$0
<b>MT</b>	medium tone	+\$0
<b>WN</b>	warm grey neutral	+\$0
<b>XF</b>	frosted	+\$5

Thrive® Work Tools

# Diagonal Tray

Y7218.

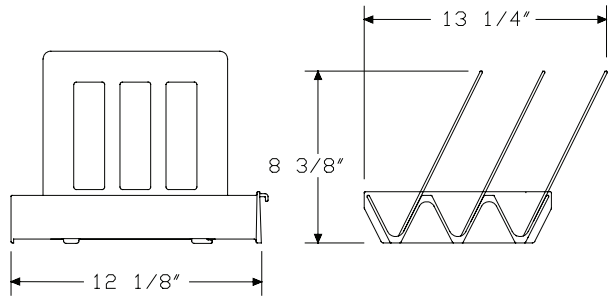


### Product Information

**Description**  
 This plastic tray hangs from a rail or stands alone to store papers and folders. It has 3 dividers that move to support left- or right-handed activities.

### Dimensions

Thrive® Work Tools



### Specification Information

**Step 1.**  
**Y7218.** \$54

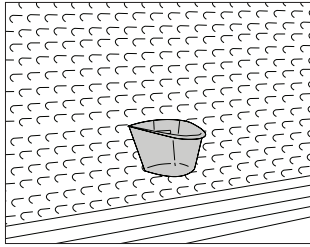
### Step 2. Surface Finish

<b>91</b>	white	+\$0
<b>BU</b>	black umber	+\$0
<b>CL</b>	cool grey neutral	+\$0
<b>G1</b>	graphite	+\$0
<b>HF</b>	inner tone light	+\$0
<b>LT</b>	light tone	+\$0
<b>LU</b>	soft white	+\$0
<b>MT</b>	medium tone	+\$0
<b>WN</b>	warm grey neutral	+\$0
<b>XF</b>	frosted	+\$5



# Pencil Holder

Y7233.

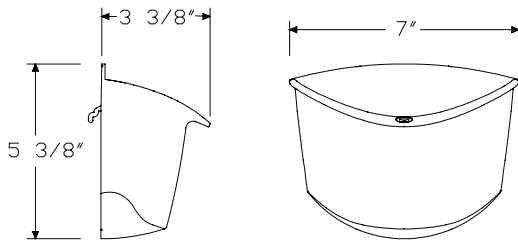


### Product Information

#### Description

This bin hangs from a work tool support product. It holds pens, pencils, markers, a cell phone, or other small items. Finish is frosted.

#### Dimensions



### Specification Information

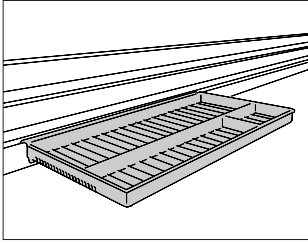
#### Step 1.

Y7233.

\$26

# Organizer Tray

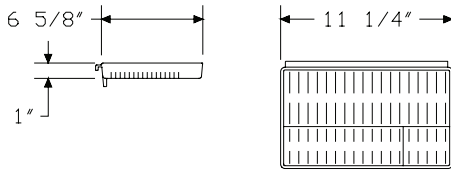
Y7210.



### Product Information

**Description**  
This sectioned tray hangs from a rail to store and organize small items.

### Dimensions



### Specification Information

**Step 1.**  
**Y7210.** \$33

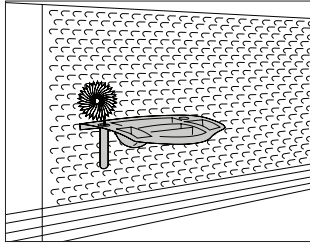
### Step 2. Surface Finish

<b>BU</b>	black umber	+\$0
<b>CL</b>	cool grey neutral	+\$0
<b>HF</b>	inner tone light	+\$0
<b>LT</b>	light tone	+\$0
<b>LU</b>	soft white	+\$0
<b>MT</b>	medium tone	+\$0
<b>SG</b>	slate grey	+\$0
<b>WN</b>	warm grey neutral	+\$0
<b>XF</b>	frosted	+\$5

Thrive® Work Tools

# Storage Tray

Y7212.

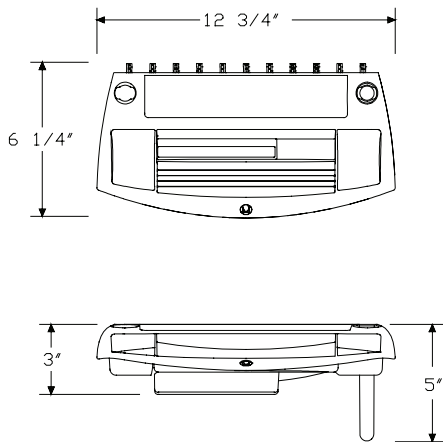


### Product Information

#### Description

This tray hangs from a work tool support product. It has small compartments to hold office supplies and personal items. The tray includes a bud vase. Finish is frosted.

#### Dimensions



### Specification Information

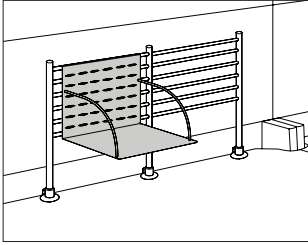
#### Step 1.

Y7212.

\$42

# Binder Shelf

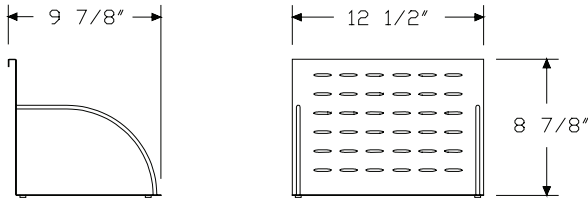
Y7312.



### Product Information

**Description**  
 This 12"-wide shelf hangs from a rail to vertically store binders and books.

### Dimensions



Thrive® Work Tools

### Specification Information

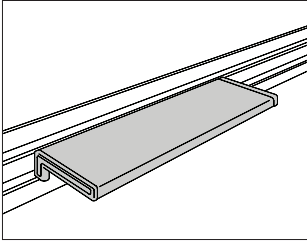
**Step 1.**  
**Y7312.12** \$167

### Step 2. Surface Finish

<b>8Q</b>	folkstone grey	+\$0
<b>BU</b>	black umber	+\$0
<b>CN</b>	metallic champagne	+\$0
<b>EH</b>	metallic bronze	+\$0
<b>G2</b>	graphite satin	+\$0
<b>HF</b>	inner tone light	+\$0
<b>LU</b>	soft white	+\$0
<b>MS</b>	metallic silver	+\$0
<b>MT</b>	medium tone	+\$0
<b>SG</b>	slate grey	+\$0
<b>WL</b>	sandstone	+\$0

# Mini-Shelf

Y7310.



### Product Information

#### Description

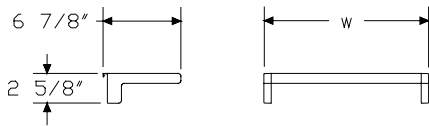
This shelf hangs from a rail to hold or display small items.

Metallic silver (MS) shelf has cool grey neutral (CL) ends; metallic champagne (CN) and metallic bronze (EH) shelves have warm grey neutral (WN) ends.

#### Notes

To divide items on mini-shelf, order small rail divider (Y7320.05) separately.

#### Dimensions



### Specification Information

#### Step 1.

**Y7310.**

#### Step 2. Width

<b>15</b>	15" wide
<b>24</b>	24" wide
<b>30</b>	30" wide

#### Prices for Steps 1-2.

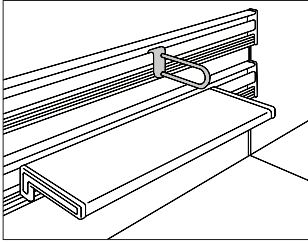
<b>Y7310. 15</b>	\$55
<b>24</b>	\$57
<b>30</b>	\$66

#### Step 3. Surface Finish

<b>8Q</b>	folkstone grey	+\$0
<b>BU</b>	black umber	+\$0
<b>CL</b>	cool grey neutral	+\$0
<b>CN</b>	metallic champagne	+\$0
<b>EH</b>	metallic bronze	+\$0
<b>HF</b>	inner tone light	+\$0
<b>LU</b>	soft white	+\$0
<b>MS</b>	metallic silver	+\$0
<b>MT</b>	medium tone	+\$0
<b>SG</b>	slate grey	+\$0
<b>WL</b>	sandstone	+\$0
<b>WN</b>	warm grey neutral	+\$0

# Rail Divider

Y7320.

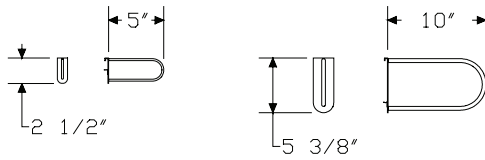


## Product Information

### Description

This divider hangs from a rail to separate books, folders, and binders on a shelf.

### Dimensions



## Specification Information

### Step 1.

**Y7320.**

### Step 2. Depth

- 05** 5" deep
- 10** 10" deep

### Prices for Steps 1-2.

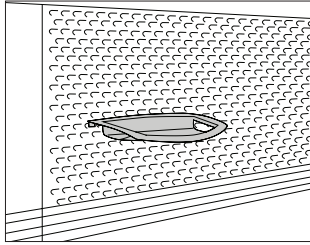
<b>Y7320. 05</b>	\$19
<b>10</b>	\$21

### Step 3. Surface Finish

<b>8Q</b>	folkstone grey	+\$0
<b>BU</b>	black umber	+\$0
<b>CN</b>	metallic champagne	+\$0
<b>EH</b>	metallic bronze	+\$0
<b>HF</b>	inner tone light	+\$0
<b>LU</b>	soft white	+\$0
<b>MS</b>	metallic silver	+\$0
<b>MT</b>	medium tone	+\$0
<b>SG</b>	slate grey	+\$0
<b>WL</b>	sandstone	+\$0

# Display Tray

Y7315.

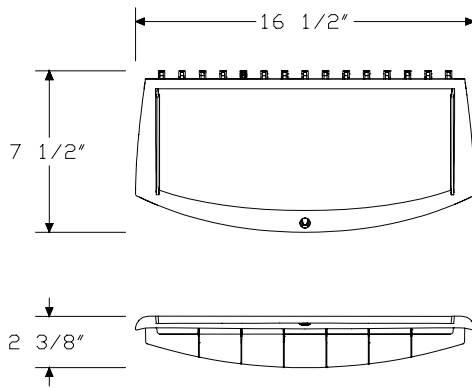


### Product Information

#### Description

This tray hangs from a work tool support product. It holds small display items. Finish is frosted.

### Dimensions



### Specification Information

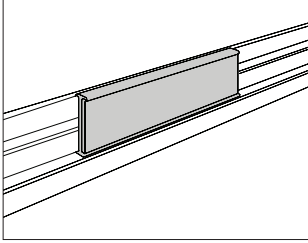
#### Step 1.

Y7315.

\$42

# Mini-Tackboard

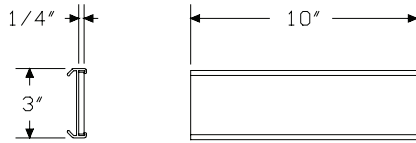
Y7410.



## Product Information

**Description**  
 This cork surface snaps onto a rail to display notes and other small papers.

## Dimensions



## Specification Information

**Step 1.**  
**Y7410.** \$63

### Step 2. Trim Finish

<b>BU</b>	black umber	+\$0
<b>CL</b>	cool grey neutral	+\$0
<b>HF</b>	inner tone light	+\$0
<b>LU</b>	soft white	+\$0
<b>MT</b>	medium tone	+\$0
<b>SG</b>	slate grey	+\$0
<b>WN</b>	warm grey neutral	+\$0

### Step 3. Cork Finish

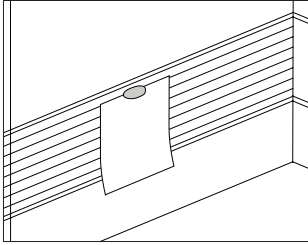
<b>CB</b>	camel light	+\$0
<b>CY</b>	grey	+\$0

Thrive® Work Tools



# Bundle Clip

Y7420.

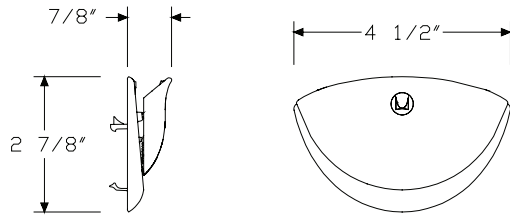


## Product Information

### Description

This clip hangs from a work tool support product. It holds up to  $\frac{1}{8}$ " of documents for quick reference. Finish is frosted.

### Dimensions



## Specification Information

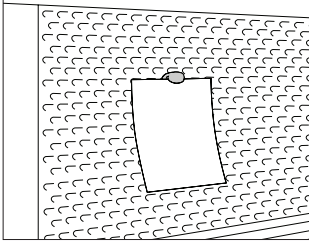
### Step 1.

Y7420.

\$19

# Document Gripper

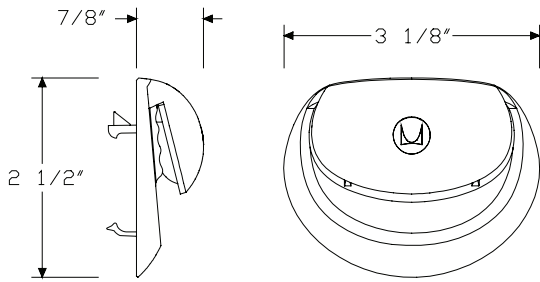
Y7421.



### Product Information

**Description**  
This document gripper hangs from a work tool support product. It holds up to 3 sheets of paper for quick reference. Finish is frosted.

### Dimensions



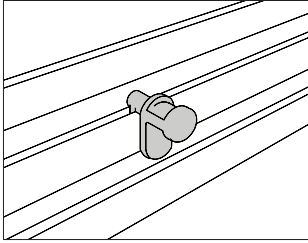
Thrive® Work Tools

### Specification Information

Step 1.  
**Y7421.** \$19

# Hanger Peg

Y7149.

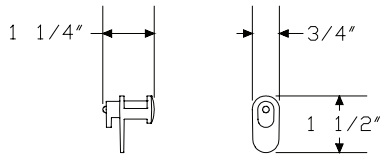


### Product Information

#### Description

This black peg twist-locks into place on a rail to hold clipboards, keys, scissors, or other small items. Package contains 4.

#### Dimensions



### Specification Information

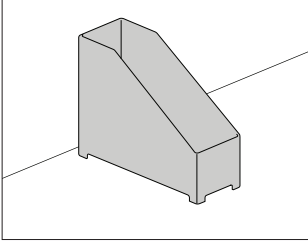
#### Step 1.

Y7149.

\$14

Magazine Holder

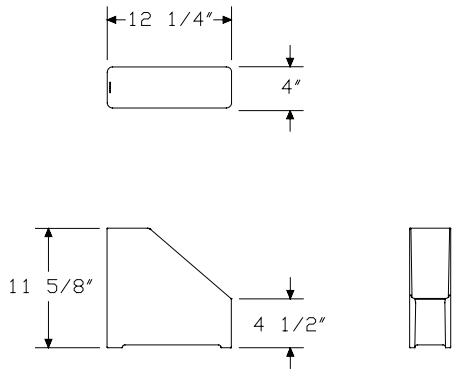
Y7610.



**Product Information**

**Description**  
 This freestanding holder stores papers, binders, folders, or magazines.

**Dimensions**



**Specification Information**

**Step 1.**  
**Y7610.** \$43

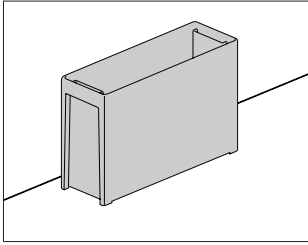
**Step 2. Finish**

<b>91</b>	white	+\$0
<b>G1</b>	graphite	+\$0
<b>LU</b>	soft white	+\$0
<b>XF</b>	frosted	+\$5

Thrive® Work Tools

# Hanging File Holder

Y7620.

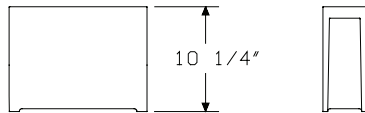
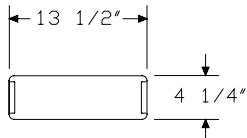


### Product Information

#### Description

This freestanding holder stores letter-size hanging file folders.

#### Dimensions



### Specification Information

#### Step 1.

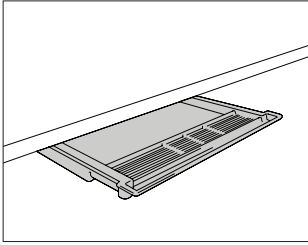
**Y7620.** \$47

#### Step 2. Finish

<b>91</b>	white	+\$0
<b>G1</b>	graphite	+\$0
<b>LU</b>	soft white	+\$0
<b>XF</b>	frosted	+\$5

# Pencil Drawer

Y5010.

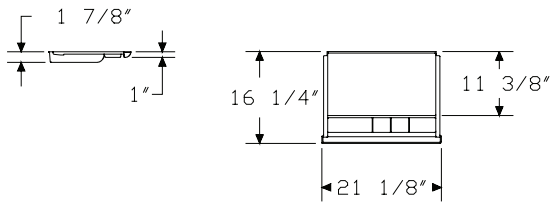


## Product Information

### Description

This plastic drawer mounts under a hanging or freestanding work surface to store pencils and other small items. Mounting hardware is included.

### Dimensions



## Specification Information

### Step 1.

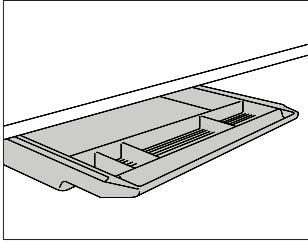
**Y5010.** \$48

### Step 2. Surface Finish

<b>8Q</b>	folkstone grey	+\$0
<b>BU</b>	black umber	+\$0
<b>HF</b>	inner tone light	+\$0
<b>LT</b>	light tone	+\$0
<b>LU</b>	soft white	+\$0
<b>MT</b>	medium tone	+\$0
<b>SG</b>	slate grey	+\$0
<b>WL</b>	sandstone	+\$0
<b>WN</b>	warm grey neutral	+\$0

# Metal Pencil Drawer

Y5012.

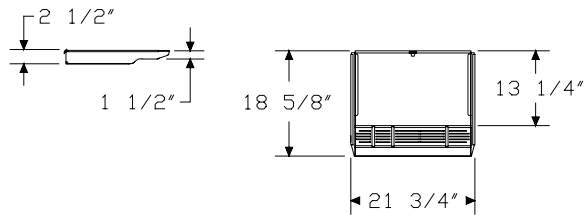


### Product Information

#### Description

This metal drawer mounts under a hanging or freestanding work surface to store pencils and other small items. Mounting hardware is included.

#### Dimensions



### Specification Information

#### Step 1.

**Y5012.** \$210

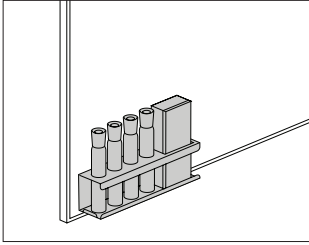
#### Step 2. Surface Finish

<b>8Q</b>	folkstone grey	+\$0
<b>98</b>	studio white	+\$0
<b>BU</b>	black umber	+\$0
<b>HF</b>	inner tone light	+\$0
<b>LT</b>	light tone	+\$0
<b>LU</b>	soft white	+\$0
<b>MT</b>	medium tone	+\$0
<b>SG</b>	slate grey	+\$0
<b>WL</b>	sandstone	+\$0
<b>WN</b>	warm grey neutral	+\$0

Thrive® Work Tools

Marker/Eraser Holder

Y7231.



**Product Information**

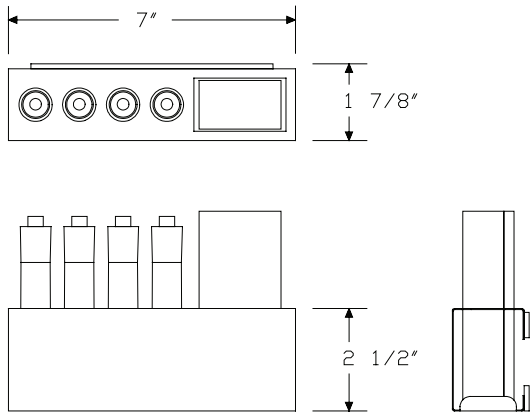
**Description**  
 This metal holder includes 4 erasable markers and an eraser. It attaches to a vertical surface with hook-and-loop fastener, 2-sided tape, or magnetic tape (also included).

**Dimensions**

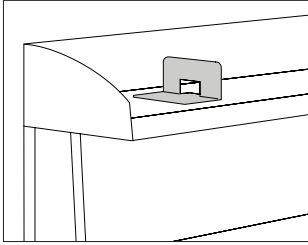
**Specification Information**

<b>Step 1.</b>		
<b>Y7231.</b>		\$128
<b>Step 2. Finish</b>		
<b>91</b>	white	+\$0
<b>BK</b>	black	+\$0
<b>MS</b>	metallic silver	+\$0

Thrive® Work Tools





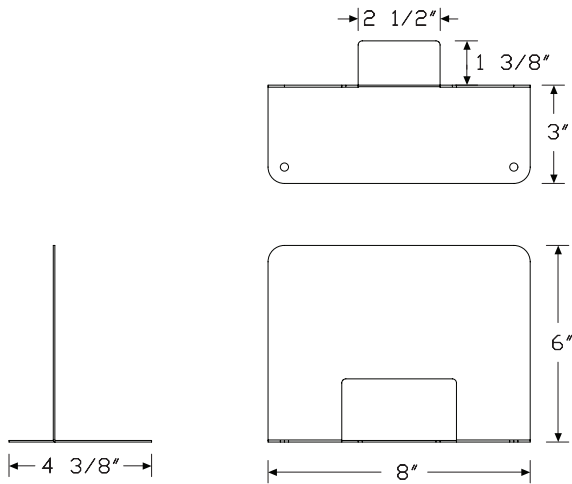


**Product Information**

**Description**

This bookend is used on a shelf or work surface to vertically divide books and binders. Package contains 3.

**Dimensions**



**Specification Information**

**Step 1.**

**Y7331.**

\$76

**Step 2. Surface Finish**

**Nonmetallic Paint**

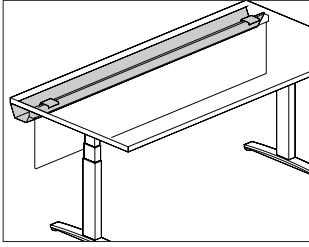
<b>8Q</b>	folkstone grey	+\$0
<b>91</b>	white	+\$0
<b>9J</b>	sparrow	+\$0
<b>BU</b>	black umber	+\$0
<b>G2</b>	graphite satin	+\$0
<b>HF</b>	inner tone light	+\$0
<b>HT</b>	inner tone	+\$0
<b>LT</b>	light tone	+\$0
<b>LU</b>	soft white	+\$0
<b>MT</b>	medium tone	+\$0
<b>SG</b>	slate grey	+\$0
<b>WA</b>	wheat	+\$0
<b>WL</b>	sandstone	+\$0
<b>WN</b>	warm grey neutral	+\$0

**Metallic Paint**

<b>1209</b>	platinum	+\$0
<b>1210</b>	hematite	+\$0
<b>1212</b>	bronzite	+\$0
<b>CN</b>	metallic champagne	+\$0
<b>EH</b>	metallic bronze	+\$0
<b>MS</b>	metallic silver	+\$0

# Cable Trough

Y1200.



## Product Information

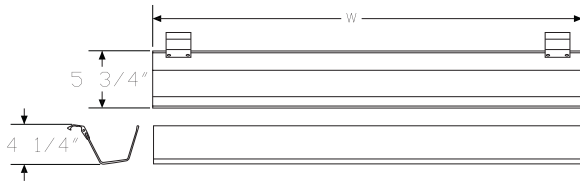
### Description

This trough attaches to a table, desk, peninsula, or work surface to hold and conceal cords and cables. It pivots down to allow easy access when laying cords inside, and can be specified with an optional modesty panel. The modesty panel has a fabric surface with aluminum top rail. Attachment hardware is included.

### Notes

Specify trough to be equal to or less than the surface width.

## Dimensions



Thrive® Work Tools

## Specification Information

### Step 1.

**Y1200.**

### Step 2. Width

- 24** 24" wide
- 30** 30" wide
- 36** 36" wide
- 42** 42" wide
- 48** 48" wide

### Step 3. Modesty Panel Option

- N** no modesty panel
- M** modesty panel

### Prices for Steps 1-3.

		N	M
<b>Y1200. 24</b>		\$269	344
<b>30</b>		\$293	386
<b>36</b>		\$323	421
<b>42</b>		\$353	461
<b>48</b>		\$381	501

### Step 4. Cable Trough Finish

- AN** clear anodized aluminum +\$0

### Step 5. Modesty Panel Fabric

For modesty panel (M)

- Price Category 1 +\$0

# Index by Product Name

Thrive® Portfolio	
	page(s)
Add-On Tray	20
Adjustable Mouse Tray	21
Bag Hook	111
Binder Shelf	122
Bookend	135
Bundle Clip	127
Cable Trough	136
Concerto Modular Monitor Arm Assembly	5
Connect™-Block Connector, 2-Circuit	63
Connect™-Block Connector, 4-Circuit	75
Connect™-Conduit Clamp	79
Connect™-Dual Junction Block Power Kit, 4-Circuit	67
Connect™-Dual Receptacle Power Kit, 2-Circuit	58
Connect™-Duplex Receptacle, 2-Circuit, 15 Amp	57
Connect™-Duplex Receptacle, 4-Circuit	73
Connect™-Ganging Bracket Kit	78
Connect™-Jumper, 2-Circuit	60
Connect™-Junction Block, 4-Circuit	71
Connect™-Junction Block Brackets, 4-Circuit	74
Connect™-Junction Block to Junction Block Jumper, 4-Circuit	69
Connect™ - Modular Power Entry, 2 Circuit, Architectural Wall Receptacle	
Box	56
Connect™-Modular Power Entry, 4 Circuit, Architectural Wall Junction	
Box	66
Connect™-Power Entry, 2-Circuit	55
Connect™-Power Entry, 4-Circuit	64
Connect™-Power Entry, 4-Circuit, New York City	65
Connect™-Power Entry with Plug End, 20 Amp	54
Connect™-Receptacle Brackets, 2-Circuit	62
Connect™-S100	39
Connect™-S200	40
Connect™-S300	41
Connect™ - S310 Electrical Unit with Connect Modular Connection	77
Connect™-S400	42
Connect™-S500	43
Connect™ - S710 - Connect Single Circuit Power Unit	47
Connect™ - S720 - Connect Single Circuit Power Unit	48
Connect™ - S730 - Connect Single Circuit Power Unit	49
Connect™ - S740 - Connect Single Circuit Power Unit	50
Connect™ - S750 - Connect Single Circuit Power Unit	52
Connect™ Single Circuit Electrical By-Pass Jumper	46
Connect™ Single Circuit Electrical Power Entry	45
Connect™-Transition Jumper, 2- to 4-Circuit	76
Controlled Receptacle Decal (12 per sheet)	35
Cord Cleat	100
CPU Holder	7

CPU Holder, Mobile	8
Diagonal Tray	118
Display Tray	125
Document Gripper	128
Fabric Modesty Panel	86
Flex-Edge™ Input Platform	18
Freestanding Shelf	96
Freestanding Shelf Liner	107
FX40 Compact Wall-Mount Technology Support	23
Hanger Peg	129
Hanging File Holder	131
Keyboard Track Adapter	22
Large Organizer	90
LE Series Keyboard Solutions	15
Logic C1000 Universal Clamp Mount Distributor	31
Logic G1000 Grommet Mounted Electrical Distributor	33
Logic G1200 Grommet Pass Thru	37
Logic HD Cable Manager	38
Logic Mini	27
Logic Mini Grommet	36
Logic Mini - Vine	29
LS Series Keyboard Solutions	9
LT Series Keyboard Solutions	13
LX Series Keyboard Solutions	11
Magazine Holder	130
Magnetic Document Clip	97
Magnetic Marker Board	102
Marker/Eraser Holder	134
Mbrace Wall-Mounted Technology	24
Metal Pencil Drawer	133
Mini-Shelf	123
Mini-Tackboard	126
Mobile Bag Catch	112
Mobile Bag Catch Base Liner	109
Mobile Bag Catch Shelf	113
Mobile Bag Catch Shelf Liner	110
Modesty Panel	84
Monitor Platform Shelf	95
Monitor Platform Shelf Liner	106
Name Tag	98
Organizer Liner	104
Organizer Tray	120
Paper Tray	116
Pari Screen, Height Adjustable Tables	80
Pencil Drawer	132
Pencil Holder	119
Personal Side Screen	83

## Index by Product Name *continued*

**Index: Product Name**

Rail Divider	124
Rod Bookend	101
Shelf	92
Shelf Backdrop	94
Shelf Liner	105
Slim Screen	91
Slim Screen Liner	108
Small Organizer	89
Squared-Edge Corner Wedge	16
Storage Tray	121
Surface-Attached Tool Rail	114
Surface Clamp	103
Tone™ Personal Light	87
Tone™ Single-Arm Personal Light	88
Track Mount CPU Enclosure	26
Track Mount Small Cradle CPU Support	25
Vertical Tray	117
Work Surface-Attached Tool Rail	115
Work Surface-Attached Voice/Data Outlet	44

# Index by Product Number

G9999. Controlled Receptacle Decal (12 per sheet)	page(s) 35	Y1423. Logic C1000 Universal Clamp Mount Distributor	31
Y1113. Modesty Panel	84	Y1424. Logic HD Cable Manager	38
Y1114. Fabric Modesty Panel	86	Y1425. Logic G1000 Grommet Mounted Electrical Distributor	33
Y1116. Pari Screen, Height Adjustable Tables	80	Y2091. Squared-Edge Corner Wedge	16
Y1117. Personal Side Screen	83	Y5010. Pencil Drawer	132
Y1200. Cable Trough	136	Y5012. Metal Pencil Drawer	133
Y1320. Work Surface-Attached Voice/Data Outlet	44	Y6480. Tone™ Personal Light	87
Y1321. Connect™-S100	39	Y6481. Tone™ Single-Arm Personal Light	88
Y1322. Connect™-S200	40	Y7000. Work Surface-Attached Tool Rail	115
Y1323. Connect™-S300	41	Y7100. Surface-Attached Tool Rail	114
Y1324. Connect™-S400	42	Y7149. Hanger Peg	129
Y1325. Connect™-S500	43	Y7210. Organizer Tray	120
Y1329. Connect™ - S310 Electrical Unit with Connect Modular Connection	77	Y7212. Storage Tray	121
Y1338. Connect™-Ganging Bracket Kit	78	Y7216. Paper Tray	116
Y1339. Connect™-Conduit Clamp	79	Y7217. Vertical Tray	117
Y1340. Connect™-Dual Receptacle Power Kit, 2-Circuit	58	Y7218. Diagonal Tray	118
Y1341. Connect™-Power Entry, 2-Circuit	55	Y7231. Marker/Eraser Holder	134
Y1342. Connect™-Power Entry with Plug End, 20 Amp	54	Y7233. Pencil Holder	119
Y1343. Connect™-Jumper, 2-Circuit	60	Y7310. Mini-Shelf	123
Y1344. Connect™-Block Connector, 2-Circuit	63	Y7312. Binder Shelf	122
Y1345. Connect™-Duplex Receptacle, 2-Circuit, 15 Amp	57	Y7315. Display Tray	125
Y1347. Connect™-Receptacle Brackets, 2-Circuit	62	Y7320. Rail Divider	124
Y1349. Connect™ - Modular Power Entry, 2 Circuit, Architectural Wall Receptacle Box	56	Y7331. Bookend	135
Y1350. Connect™-Dual Junction Block Power Kit, 4-Circuit	67	Y7410. Mini-Tackboard	126
Y1351. Connect™-Power Entry, 4-Circuit	64	Y7420. Bundle Clip	127
Y1352. Connect™-Power Entry, 4-Circuit, New York City	65	Y7421. Document Gripper	128
Y1353. Connect™-Junction Block to Junction Block Jumper, 4-Circuit	69	Y7610. Magazine Holder	130
Y1354. Connect™-Block Connector, 4-Circuit	75	Y7620. Hanging File Holder	131
Y1355. Connect™-Duplex Receptacle, 4-Circuit	73	Y7710. LE Series Keyboard Solutions	15
Y1356. Connect™-Transition Jumper, 2- to 4-Circuit	76	Y7724. LX Series Keyboard Solutions	11
Y1357. Connect™-Junction Block Brackets, 4-Circuit	74	Y7727. LT Series Keyboard Solutions	13
Y1358. Connect™-Junction Block, 4-Circuit	71	Y7728. Add-On Tray	20
Y1359. Connect™-Modular Power Entry, 4 Circuit, Architectural Wall Junction Box	66	Y7729. Adjustable Mouse Tray	21
Y1371. Connect™ - S710 - Connect Single Circuit Power Unit	47	Y7735. Flex-Edge™ Input Platform	18
Y1372. Connect™ - S720 - Connect Single Circuit Power Unit	48	Y7737. LS Series Keyboard Solutions	9
Y1373. Connect™ - S730 - Connect Single Circuit Power Unit	49	Y7793. Keyboard Track Adapter	22
Y1374. Connect™ - S740 - Connect Single Circuit Power Unit	50	Y7812. CPU Holder, Mobile	8
Y1375. Connect™ - S750 - Connect Single Circuit Power Unit	52	Y7813. CPU Holder	7
Y1377. Connect™ Single Circuit Electrical Power Entry	45	Y91179 Concerto Modular Monitor Arm Assembly	5
Y1378. Connect™ Single Circuit Electrical By-Pass Jumper	46	Y94004 FX40 Compact Wall-Mount Technology Support	23
Y1412. Logic Mini Grommet	36	Y94015 Mbrace Wall-Mounted Technology	24
Y1414. Logic Mini	27	Y94100 Track Mount Small Cradle CPU Support	25
Y1415. Logic Mini - Vine	29	Y94102 Track Mount CPU Enclosure	26
Y1420. Logic G1200 Grommet Pass Thru	37	YT100. Small Organizer	89
		YT150. Large Organizer	90
		YT200. Slim Screen	91
		YT300. Shelf	92

## Index by Product Number *continued*



**Index: Product Number**

YT310. Shelf Backdrop	94
YT320. Monitor Platform Shelf	95
YT330. Freestanding Shelf	96
YT400. Magnetic Document Clip	97
YT410. Name Tag	98
YT430. Cord Cleat	100
YT440. Rod Bookend	101
YT450. Magnetic Marker Board	102
YT460. Surface Clamp	103
YT500. Organizer Liner	104
YT510. Shelf Liner	105
YT520. Monitor Platform Shelf Liner	106
YT530. Freestanding Shelf Liner	107
YT540. Slim Screen Liner	108
YT560. Mobile Bag Catch Base Liner	109
YT565. Mobile Bag Catch Shelf Liner	110
YT700. Bag Hook	111
YT710. Mobile Bag Catch	112
YT715. Mobile Bag Catch Shelf	113

## 20-Day or Less/Assigned Lead-Time Order Information

### 20-Day or Less and Assigned Lead-Time Programs

20-day or less and assigned lead-time products are designed for established Herman Miller dealers with pre-approved credit.

Products are distributed from multiple manufacturing facilities across the United States. All products and options not designated by an Assigned Lead-Time icon  will ship in 20 business days or less after being acknowledged by Herman Miller. Products and options designated by an  are on the assigned lead-time program and will ship in 20 days, less than 20 days, or more than 20 days from order acknowledgement.

### Ordering Procedure

Please place orders through Order Manager. If this is not available to you, place orders through mail or fax. Verbal purchase orders will not be accepted.

Order Entry fax number for Passage®, 5000 Series, and Meridian® Filing and Storage: (616) 846 9236.

Order Entry fax number for all other products:  
(616) 654 3085.

For more information, contact your Customer Care representative at:  
(866) 854 3048 EXT 3400.

### Shipments and Delivery

Per Herman Miller Terms and Conditions.

### Changes and Cancellation

Per Herman Miller Terms and Conditions.





# Customer's Own Material Order Information — Workspaces

## Customer's Own Material

### Program Overview

The Customer's Own Material (COM) program gives you the option of using textiles other than those listed. Herman Miller will test textiles for application to Herman Miller products and will process orders for those with approved COM textiles only. COM textiles are on assigned lead times.

Omni lists an overview of fabrics that have been tested and indicates whether or not they were approved for application to Herman Miller products.

Specific information on the terms and conditions, testing, approval, and ordering process for COM is listed below. Questions about the COM program and requests for assistance may be directed to your COM representative at:

(616) 654 3400

(866) 854 3048 EXT 6543400

### Customer's Own Material Warranty

Herman Miller does not warrant COM textiles. COM textiles are tested for application only; they are not tested for performance. The Herman Miller warranty does apply to the underlying products.

Suppliers of COM textiles are responsible for color consistency within commercial tolerances, UV stability, and resistance to soiling and perspiration.

### Customer's Own Material Pricing

COM is a Category 1 fabric. There are no application charges for COM fabrics.

Ordering and payment for COM textile yardage are the responsibility of the customer and the textile supplier.

If desired, Herman Miller will purchase COM textiles directly from True Textiles, C.F. Stinson, Luna Textiles, Maharam, and Momentum Textiles to simplify ordering and shipment. For this service, refer to the Supplier Connection program.

### Application Note

Herman Miller does not guarantee that Customer's Own Material (COM) fabric patterns will align across panels/tiles or from one screen to the next. We also do not guarantee that COM fabric designs will be positioned consistently in the same location across several panels, tiles, or screens.

COM is not available on panels.

## Textile Approval

1. Select a COM textile and a Herman Miller product.
2. If your textile is not listed in Omni, obtain a test number from a COM representative at (616) 654 3400. You can also submit your request within Omni. Please have the following information ready before calling: textile name, number, pattern, and the product you will apply it to.
3. Herman Miller will notify you of approval or disapproval within 4 days from receipt of the test yardage.

# Customer's Own Material Order Information — Workspaces

continued

## Ordering Products with COM

1. Refer to the specific products to determine the yardage required for COM textiles.
2. If your textile is not listed in Omni, call a COM representative at (616) 654 3400 or (866) 854 3048 EXT 6543400. The representative will assign an identification number for your textile (ID#) and will verify yardage requirements for your order.

*Note: Yardage requirements are based on nondirectional, 54"-wide textiles. 66"-wide textiles are needed for application on 60"-wide products. Additional yardage may be needed due to the unique characteristics of a textile.*

3. Enter your order on Order Manager in Omni.
4. Upon receipt of your purchase order, Herman Miller will send you a PO acknowledgment.
5. Arrangements must be made for the textiles to be shipped from the supplier to Herman Miller for application to the Herman Miller products. Textiles must be tagged with the assigned identification number and the roll yardage quantity. See Omni for shipping procedures and current shipping addresses or contact a COM representative at (616) 654 3400 or (866) 854 3048 EXT 6543400.

Products will be scheduled for production when COM textiles are received at Herman Miller. Standard lead times in effect at that time will apply.

*Note: If textiles are to be purchased directly by Herman Miller through the Supplier Connection program, Herman Miller will handle the ordering and shipping process and will schedule your order for production upon receipt of your purchase order (dependent on textile availability). Refer to the Supplier Connection program for more information.*

## Supplier Connection

### Program Overview

The Supplier Connection program is a service offered by Herman Miller to purchase approved COM textiles directly from True Textiles, C.F. Stinson, Luna Textiles, Maharam, and Momentum Textiles. When you select a textile through this program, Herman Miller will facilitate the ordering, scheduling, and shipment of the textile directly with the supplier.

Suppliers included in the Supplier Connection program keep an active inventory of textiles that are pre-approved for application to Herman Miller products. Pre-approval applies only to the suitability of a textile for manufacturing and application to a Herman Miller product. Omni provides an overview of fabrics that have been tested and indicates whether or not they were approved for application to Herman Miller products.

Specific information on the terms and conditions, testing, approval, and ordering process for the Supplier Connection program is listed below. Questions and requests for assistance may be directed to your COM representative at:

(616) 654 3400  
(866) 854 3048 EXT 6543400

### Supplier Connection Warranty

Textiles purchased by Herman Miller through the Supplier Connection program are COM and are not warranted by Herman Miller. COM textiles are tested for application only; they are not tested for performance. The Herman Miller warranty does apply to the underlying products.

Suppliers of COM textiles are responsible for color consistency within commercial tolerances, UV stability, and resistance to soiling and perspiration.

### Supplier Connection Pricing

Textiles purchased by Herman Miller through the Supplier Connection program are COM. COM is a Category 1 fabric. There are no application charges for COM fabrics.

Payment for textiles purchased by Herman Miller through the Supplier Connection program is the responsibility of the customer or dealer. Herman Miller will invoice the order at the supplier's prices published at the time of the order.

# Customer's Own Material Order Information — Workspaces

*continued*

## **Textile Approval**

1. Refer to Omni to identify the approval status of the textile. If your textile is not listed, contact the COM Department to request testing for application to Herman Miller products.
2. Herman Miller will notify you of approval or disapproval in approximately 4 days from receipt of the test yardage. If the textile is approved, it will be assigned a COM identification number.

## **Ordering Products with Supplier Connection COM**

1. Identify and include the following information on your purchase order:
  - Product number and option
  - Herman Miller's COM identification number
2. Enter your order on Order Manager in Omni.
3. Upon receipt of the purchase order, Herman Miller will process your order and send you a PO acknowledgment. Herman Miller will determine the yardage required to produce your product and will order and schedule for delivery the required textile. Standard lead times in effect at the time the textile is allocated at the supplier will apply to products ordered through this program.



# Proprietary Textiles Application Chart — Workspaces

• Available

A Assigned lead-time textile.

See following page for exception notes.

	Action Office® Panels/Connectors	Action Office/Ethospace® B-Style Storage	Action Office B-Style Tackboards	Action Office/Ethospace E-Style Storage	Ethospace Tiles/Connectors	Ethospace Work Surface-Attached Screens	Ethospace/Canvas Office Landscape® Privacy Doors	Exclave® Tackable Boards and Stowage Tackable Backdrop	Exclave Video-Friendly Tackable Boards and Stowage Tackable Backdrop	Canvas Tiles/Extended Width Tiles	Canvas B-/E-Style Storage	Canvas Standing Screen and Team Wall Infill	Canvas Tackboards	Layout Studio® Framed Screen	Locale® Display Tackboard	Locale Freestanding Screen and Workbase Screen	Locale L-Desk/D-Desk Screens	Parit™ Screens/Flat Edge Screens	Public Office Landscape® Screen/Desk Top Divider	Renew™ Link Screens	Resolve® Boundary Screens/Flags	Resolve Display Screens	Resolve Rolling Screens/Canopies	Thrive® Personal Side Screen	5000 Series Storage and Tackboards	Tu® Wood Storage Cubby Tackboard	Seating
<b>Price Category 1</b>																											
COM	Customize Own Material <span style="border: 1px solid black; padding: 0 2px;">A</span>																										
8A__																											
2V__	•	•	•	•	•	•				22	•	•	•	•	•	•											
8T__	2	2	2	•	•		•	•	8	•	2	•	•	•	•	•	•	•	•	•							
95__	2	2	2	•	•		•			•	2	•	•	•	•	•	•	•	•	•							
2I__	•	•	•	•	•	•	•			•	•	•	•	•	•	•	•	•	•	•							
1MN__	2	2	2	•	•		•			•	2	•	•	•	•	•	•	•	•	•							
8B__						•															•		•				
5T__	•	•	•	•	•	•	•			•	•	•	•	•	•	•	•	•	•	•							
8C__																						•					
2M__	•	•	•	•	•	•	•			•	•	•	•	•	•	•	•	•	•	•							
22F__	6		•	•	•	•	•			•	•	•	•	•	•	•	•	•	•	•							
<b>Price Category 2</b>																											
3P__		2		•																							•
51__	•	•	•	•	•	•	•			•	•	•	•	•	•	•	•	•	•	•							•
92__	2	•	•	•	•	•	•	•	8	•	•	•	•	•	•	•	•	•	•	•							•
57__	•	•	•	•	•	•	•			•	•	•	•	•	•	•	•	•	•	•							•
84__	4			•	•	•	•			•	•	•	•	•	•	•	•	•	•	•							•
4N__	2	2	2	•	•	•	•			•	•	•	•	•	•	•	•	•	•	•							•
1LM__	2	2	2	•	•	•	•	•		•	•	•	•	•	•	•	•	•	•	•							•
1HA__	2	2	2	•	•	•	•	•	8	•	•	•	•	•	•	•	•	•	•	•							•
3A__	2	2	•	•	•	•	•			22	2	•	•	•	•	•	•	•	•	•							•
8R__	5	2	2	•	•	•	•			•	2	•	•	•	•	•	•	•	•	•							•
<b>Price Category 3</b>																											
70__	2	2	2	•		•				•	2	•	•	•	•	•	•	•	•	•							•
1FB__	•	•	•	•	•	•	•			•	•	•	•	•	•	•	•	•	•	•							•
1FC__	•	•	•	•	•	•	•			•	•	•	•	•	•	•	•	•	•	•							•
8Z__	•	•	•	•	•	•	•			•	•	•	•	•	•	•	•	•	•	•							•
47__	•	•	•	•	•	•	•	•	8	•	•	•	•	•	•	•	•	•	•	•	14						•
5D__	2	2	2	•	•	•	•			•	2	•	•	•	•	•	•	•	•	•	14						•
8L__	•	20	•	•	•	•	•			•	•	•	•	•	•	•	•	•	•	•	14						•
8U__		2	2	•						•		•	•	•	•	•	•	•	•	•							•
8W__	•	•	•	•	•	•	•			•	•	•	•	•	•	•	•	•	•	•							•

continued on next page

# Proprietary Textiles Application Chart — Workspaces

continued

	Action Office® Panels/Connectors	Action Office/Ethospace® B-Style Storage	Action Office B-Style Tackboards	Action Office/Ethospace E-Style Storage	Ethospace Tiles/Connectors	Ethospace Work Surface-Attached Screens	Ethospace/Canvas Office Landscape® Privacy Doors	Exclave® Tackable Boards and Stowage Tackable Backdrop	Exclave Video-Friendly Tackable Boards and Stowage Tackable Backdrop	Canvas Tiles/Extended Width Tiles	Canvas B-/E-Style Storage	Canvas Standing Screen and Team Wall Infill	Canvas Tackboards	Layout Studio® Framed Screen	Locale® Display Tackboard	Locale Freestanding Screen and Workbase Screen	Locale L-Desk/D-Desk Screens	Pari™ Screens/Flat Edge Screens	Public Office Landscape® Screen/Desk Top Divider	Renew™ Link Screens	Resolve® Boundary Screens/Flags	Resolve Display Screens	Resolve Rolling Screens/Canopies	Thrive® Personal Side Screen	5000 Series Storage and Tackboards	Tu® Wood Storage Cubby Tackboard	Seating
<b>Price Category 4</b>																											
2X__ Glisten	•	•	•	•	•		•			•	•	•	•	•	•					•					•	•	
6S__ Quilty	2	2	2	•	•		•			•	2	•	•	•	•										3	•	•
63__ Sironetta	•	•	•	•	•		•			•	•	•	•	•	•	•		•	•					•	3	•	•
<b>Price Category 5</b>																											
No fabrics available at this time.																											
<b>Price Category 6</b>																											
No fabrics available at this time.																											

- 1 Refer to price book appendices and Kiosk for COM information. COM not available on panels.
- 2 Available on all products except 54" and 60" wide.
- 3 Fabric is railroaded for all widths.
- 4 Not available on Action Office (AO) acoustical panels.
- 5 (8R\_\_), (8T\_\_), (85\_\_), and (5S\_\_) not available on AO acoustical panels and not available on 54"- or 60"-wide products.
- 6 Not available on Action Office (AO) connectors, cable management, and spacers.
- 8 Available in select colors. See the "Proprietary Textile Colors — Seating" appendix.
- 14 Not available on Resolve flags.
- 15 Fabric is railroaded for all widths, except on Passage full-height screens.
- 16 Not available on Passage full-height screens. Fabric is railroaded for all widths.
- 18 Available on seating products in select colors. See the "Proprietary Textile Colors — Seating" appendix.
- 19 Not available in Grosgrain (84\_\_) fabric colors 8401, 8405, and 8413.
- 20 Available only on Ethospace B-Style.
- 22 Not available as railroaded application option for Chain and Moire on Canvas extended width tiles.
- 24 Not available on Ethospace cable access tile, cable channel tile, or beltline face tile.

Application Note: Herman Miller cannot guarantee material/pattern alignment in adjacent products. For example, a fabric's pattern may not align from one screen to the next, or from one panel to the next.

# Proprietary Textile Colors – Workspaces

## Price Category 1

**Customer's Own Material**  
See Order Information in  
Appendices.  
Assigned lead-time textile. A

**Bubbletack™**  
100% polyester

8A01	Seashell White
8A02	Pearl Grey
8A05	Dune Beige
8A07	Pebble Beige
8A09	Olive Green
8A13	Slate Purple
8A19	Spa Blue
8A24	Sable Grey
8A27	Summer White
8A28	Moth Grey
8A29	Tea Leaf Grey
8A30	Blue Grey
8A31	Dusty Bronze
8A32	Slate Blue
8A33	Caramel Beige
8A34	Kiwi Green
8A35	Studio White
8A36	Blush Grey
8A37	Shale
8A38	Slate
8A39	Eggnog
8A40	Persimmon
8A41	Bud

**Chain**  
66" wide  
100% recycled polyester

2V01	Pearl
2V02	Oyster
2V03	Wheat
2V04	Linen
2V05	Wicker
2V06	Bamboo
2V07	Sage
2V08	Spring Wood
2V09	Iceberg

**Crossing**  
54" wide  
86% antimony-free polyester  
14% polyester

8T03	Wicker *
8T04	Porcelain *
8T05	Warm Grey *
8T06	Sepia
8T07	Pumpkin
8T08	Copper
8T09	Cranberry
8T10	Tomato
8T11	Mulberry
8T12	Plum
8T13	Green Apple
8T14	Loden
8T15	Spruce
8T16	Periwinkle
8T17	Cerulean
8T18	Indigo
8T19	Shale *
8T20	Brownstone
8T21	Bark
8T22	Tin *
8T23	Graphite
8T24	Black

**Crossing**  
For systems products only.  
54" wide  
86% antimony-free polyester  
14% polyester

8501	Ivory *
8502	Oyster *

\* Crossing colors available on  
Exclave® Video-friendly Tackable  
Boards and Stowage Tackable  
Backdrop

**Gem**  
54" wide  
100% antimony-free polyester

9501	Sesame
9502	Tangerine
9503	Red
9504	Red Violet
9505	Mulberry
9506	Java
9507	Twilight
9508	Bayou
9509	Iris
9510	Berry Blue
9511	Aqua Green
9512	Green Apple
9513	Spruce
9514	Black
9515	Slate Grey
9516	Fog

**Grasscloth**  
66" wide  
100% recycled polyester

2I01	Silver Birch
2I02	Pampas
2I03	Sedge
2I07	Lea
2I08	Taro
2I09	Steam Grey
2I10	Cayenne
2I11	Bottle Green
2I12	Surf
2I13	Gravel

**Monologue**  
54" wide  
56% recycled polyester  
44% polyester

1MN01	Linen
1MN02	Alabaster
1MN03	Truffle
1MN04	Folkstone
1MN05	Silver Pine
1MN06	Slate
1MN07	Seed
1MN08	Yellow Oxide
1MN09	Persimmon
1MN10	Tundra
1MN11	Meadow
1MN12	Blue Sky
1MN13	Blue Spruce
1MN14	Deep Sea

**Multiscrim™**  
60" wide  
100% polyester

8B01	Seashell White
8B02	Pearl Grey
8B05	Dune Beige
8B07	Pebble Beige
8B09	Olive Green
8B15	Slate Purple
8B19	Spa Blue
8B24	Sable Grey
8B27	Summer White
8B28	Moth Grey
8B29	Tea Leaf Grey
8B30	Blue Grey
8B31	Dusty Bronze
8B32	Slate Blue
8B33	Caramel Beige
8B34	Kiwi Green
8B35	Studio White
8B36	Blush Grey
8B37	Shale
8B38	Slate
8B39	Eggnog
8B40	Persimmon
8B41	Bud

Price category 1 continued on  
next page

# Proprietary Textile Colors — Workspaces

continued

## Price Category 1

continued

### Resonance

66" wide	
100% polyester	
5T04	Greige
5T05	Porcelain
5T06	Alabaster
5T15	Iris
5T28	Sugar
5T47	Tobacco
5T54	Saltbush
5T57	Seed
5T58	Sepia
5T59	Tundra
5T60	Iceberg
5T61	Black
5T62	Chamois
5T63	Citrus
5T64	Tangerine
5T65	Red
5T66	Wild Berry
5T67	Boysenberry
5T68	Pistachio
5T69	Green Apple
5T70	Forest
5T71	Jade
5T72	Blue Green
5T73	Bright Turquoise
5T74	Twilight

### Scrim Trim

61" wide	
82% polyester	
18% spandex	
8C01	Seashell White
8C02	Pearl Grey
8C22	Winter Grey
8C24	Sable Grey

### Silkworm

66" wide	
58% recycled polyester	
42% polyester	
2M01	Cocoon
2M02	Pongee
2M03	Saffron
2M04	Tussah
2M05	Ceylon
2M06	Jasmine
2M07	Shale
2M08	Monsoon

### Slant

66" wide	
51% polyester	
49% recycled polyester	
22F01	Beech Nut
22F02	Chamois
22F03	Chartreuse
22F04	Pesto
22F05	Peacock
22F06	Neptune
22F07	Blueberry
22F08	Boysenberry
22F09	Magenta
22F10	Pumpkin
22F11	Cranberry
22F12	Silver Birch
22F13	Bluestone
22F14	Truffle
22F15	Shale

## Price Category 2

### ColorGuard

54" wide	
100% vinyl	
3P01	Grey
3P02	Navy
3P03	Spruce <sup>A</sup>
3P08	Blueberry <sup>A</sup>
3P12	Black Plum <sup>A</sup>
3P14	Black
3P19	Slate
3P31	Horizon Blue <sup>A</sup>
3P33	Pumice
3P54	Candy Apple <sup>A</sup>
3P72	Allspice <sup>A</sup>
3P96	Manzanita <sup>A</sup>
3P97	Fudge <sup>A</sup>
3PB2	Sea Grass <sup>A</sup>
3PB5	Vizcaya Palm <sup>A</sup>
3PB9	Neptune <sup>A</sup>
3PC7	Bucksuede <sup>A</sup>
3PD4	Otter <sup>A</sup>

<sup>A</sup> Assigned lead-time color.

### Cord

66" wide	
51% antimony-free polyester	
49% polyester	
5101	Ivory
5102	White Ash
5103	Linen
5104	Bamboo
5105	Sepia
5106	Wicker
5107	Sesame
5108	Kiwi Green
5109	Bayou
5110	Shade
5111	Spring Wood
5112	Summer White

### Crepe

54" wide	
100% recycled polyester	
9201	Licorice
9203	Smoke
9207	Cherry
9209	Claret
9212	Raisin
9218	Aquamarine
9223	Cadet
9241	Beachglass
9243	Midnight
9244	Artichoke
9248	Warm White *
9249	Stone *
9250	Earth
9251	Fog *
9252	Slate Grey
9253	Yellow Dark
9254	Coral
9255	Blush Grey *
9256	Wild Berry
9257	Clover
9258	Caribbean
9259	Cerulean
9260	Brownstone
9261	Shale
9262	Graphite
9263	Tomato
9264	Green Apple

\* Crepe colors available on Exclave® Video-friendly Tackable Boards and Stowage Tackable Backdrop

Price category 2 continued on next page



# Proprietary Textile Colors – Workspaces

continued

## Price Category 2

continued

Frost	
66" wide	
100% recycled polyester	
5701	Bisque
5702	Abalone
5703	Porcelain
5704	Honey
5705	Iceberg
5706	Sage
5707	Reed
5708	Steam Grey
5709	Gunmetal
5710	Sable Grey

Grosgrain	
66" wide	
100% recycled polyester	
8401	Pearl * **
8402	White Ash
8403	Warm Grey
8404	Khaki
8405	Oyster *
8406	Celadon
8407	Chamois
8408	Spa Blue
8409	Bud
8410	Kiwi Green
8411	Bayou
8412	Tin
8413	Iceberg *

\* Grosgrain colors not available on Canvas Dock Mounted Screens, Locale® Workbase Screen, Public Office Landscape® Screen/Desk Top Divider, and Thrive® Personal Side Screen.

\*\* Color not available on Canvas tiles.

Horizon	
54" wide	
65% antimony-free polyester	
35% polyester	
4N01	Rye Grass
4N02	Sugar Pine
4N03	Silver Pine
4N04	White Ash
4N05	Spring Wood
4N06	Tamarack
4N07	Mushroom
4N08	Haystack
4N09	Oat Grass
4N10	Forest Moss
4N11	Hickory
4N12	Beech Nut
4N13	Pine Cone
4N14	Poplar
4N15	Elderberry

Loom	
54" wide	
100% polyester	
1LM01	Linen
1LM02	Brown Sugar and Spice
1LM03	Brick and Mortar
1LM04	Salt and Pepper
1LM05	Black
1LM06	Lemongrass
1LM07	Poppy
1LM08	Wild Berry
1LM09	Loden
1LM10	Jade
1LM11	Deep Sea

Medley	
54" wide	
100% polyester	
1HA01	Stone *
1HA02	Trail
1HA03	Charcoal
1HA04	Cinder
1HA05	Citrus
1HA06	Papaya
1HA07	Chutney
1HA08	Tundra
1HA09	Feather Grey *
1HA10	Chartreuse
1HA11	Loden
1HA12	Peacock
1HA13	Bayou *
1HA14	Blue Grotto
1HA15	Blueberry
1HA22	Khaki
1HA23	Pewter
1HA24	Yellow Oxide
1HA25	Vintage Rose
1HA26	Raspberry
1HA27	Acai Berry

\* Colors available on Exclave®  
Stowage Video-friendly  
Tackable Backdrop

Moiré	
54" wide	
100% recycled polyester	
3A01	Concrete
3A02	Biscotti
3A03	Rattan
3A04	Chambray
3A05	Fern
3A08	Violet
3A09	Zin
3A10	Curry
3A11	Spice
3A12	Cork

Twist	
54" wide	
80% antimony-free polyester	
13% recycled polyester	
7% polyester	
8R05	Wicker
8R10	Poppy
8R14	Tin
8R15	Shale
8R16	Graphite
8R17	Birch
8R18	Sepia
8R22	Blueberry
8R23	Green Apple
8R26	Gunmetal
8R27	Cinder
8R28	Citrus
8R29	Pekoe
8R30	Tangerine
8R31	Red Plum
8R32	Wisteria
8R33	Forest
8R34	Jade Dark
8R35	Waterfall
8R36	Midnight Blue
8R37	Carbon Dark

Twist	
For systems products only.	
54" wide	
80% antimony-free polyester	
13% recycled polyester	
7% polyester	
5S01	Pearl
5S02	Ivory
5S03	Oyster

# Proprietary Textile Colors — Workspaces

continued

## Price Category 3

Appendix: Proprietary Textile Colors — Workspaces

Bento	
54" wide	
100% antimony-free polyester	
7001	Frost
7002	Linen
7003	Khaki
7004	Truffle
7005	Grey Black
7006	Pumpkin
7007	Cranberry
7008	Everglade
7009	Cobalt

Connection	
66" wide	
100% antimony-free polyester	
1FB1	Oyster
1FB2	Linen
1FB3	Iceberg
1FB4	Silver Pine
1FB5	Apricot
1FB6	Cumin
1FB7	Green Apple
1FB8	Slate Blue
1FB9	Metal

Current	
66" wide	
100% antimony-free polyester	
1FC1	Oyster
1FC2	Linen
1FC3	Iceberg
1FC4	Silver Pine
1FC5	Apricot
1FC6	Cumin
1FC7	Green Apple
1FC8	Slate Blue
1FC9	Metal

Glaze	
66" wide	
100% recycled polyester	
8Z01	Wicker
8Z02	Honey
8Z03	Porcelain
8Z04	Celadon
8Z05	Spearmint
8Z06	Rye
8Z07	Frost
8Z08	Silver Birch

Ground Cloth®	
66" wide	
100% polyester	
4701	Vapor Grey
4721	Warm White *
4722	Fog *
4723	Straw *
4724	Red Orange *
4725	Wild Berry *
4726	Green Apple *
4727	Caribbean *
4728	Midnight *
4729	Cappuccino *

\* Colors available on Exclave®  
Video-friendly Tackable  
Boards and Stowage Tackable  
Backdrop

Kira 2	
54" wide	
100% recycled polyester	
5D11	Flaxen
5D12	Papyrus
5D13	Oasis
5D14	Incense
5D15	Ash
5D16	Falcon

Savannah	
66" wide	
76% recycled polyester	
24% polypropylene	
8L01	Pearl
8L02	Oyster
8L03	Wheat
8L04	Jute
8L05	Bamboo
8L06	Metal
8L07	Linen
8L08	Celadon
8L09	Moss
8L10	Frost
8L11	Shale
8L12	Pewter

Stitches	
54" wide	
54% polyester	
46% recycled polyester	
8U02	Rye
8U03	Khaki
8U04	Honey
8U05	Cattail
8U08	Cool Grey
8U09	Slate Blue
8U11	Evening Blue
8U12	Charcoal
8U13	Kiwi Green
8U16	Cocoa
8U17	Seed

Stitches	
For systems products only.	
54" wide	
54% polyester	
46% recycled polyester	
5Z01	White Ash

Strands	
66" wide	
100% recycled polyester	
8W01	Pebble
8W02	Porcelain
8W03	Taupe
8W04	Honey
8W05	Khaki
8W06	Rye
8W07	Wicker
8W08	Tin
8W09	Cool Grey

# Proprietary Textile Colors — Workspaces

continued

---

## Price Category 4

### Glisten

66" wide  
84% polyester  
16% recycled polyester

2X02	Rye
2X05	Iceberg
2X07	Celadon
2X09	Pewter
2X10	Ash

### Quilty

56" wide  
100% antimony-free polyester  
GreenShield

6S03	Khaki
6S04	Straw
6S07	Brick
6S10	Mink
6S11	Green Apple
6S13	Indigo
6S14	Zinc
6S15	Slate
6S16	Beachwood
6S17	Paprika
6S18	Plum
6S19	Juniper
6S20	Grey Black

### Sironetta

66" wide  
100% recycled polyester

6301	Acapella
6302	Sonata
6303	Interlude
6304	Legato
6308	Harmony
6309	Ensemble

---

## Price Category 5-6

No fabrics available at this time.

For more information about our products and services or to see a list of dealers, please visit us at [HermanMiller.com](http://HermanMiller.com) or call (800) 851 1196.

© 2018 Herman Miller, Inc., Zeeland, Michigan

® **HermanMiller**, ●, Action Office, Aeron, Aside, Avive, Canvas Office Landscape, Caper, Celle, Co/Struc, Eames, Embody, Equa 2, Ergon 3, Ethospace, Exclave, Fine-Tune, FlexFront, Formcoat, Ground Cloth, Herman Miller Healthcare, Layout Studio, Maharam, Meridian, Mirra, Passage, Pellicle, Perspectives, PostureFit, Resolve, Sayl, Setu, Thrive, Tu, Y-Tower, and Z-Axis are among the registered trademarks of Herman Miller, Inc., and its owned subsidiaries.

™ AireWeave, Bubbletack, Cellular Suspension, Compass, Connect, DOT, Durawrap, Everywhere, Flex-Edge, Hopsak 2, Intent, Iota, Keyless Entry, Latitude, Lyris 2, Mora, Motia, Multiscrim, Nelson, Renew, Stackable, Swoop, TriFlex, Twist, and Verus are among the trademarks of Herman Miller, Inc., and its owned subsidiaries.

®Chemsurf® is a registered trademark of Wilsonart International.

Corian® is a registered trademark of E.I. du Pont de Nemours and Company Corporation.

FLEXNET™ is a trademark of Milliken & Company.

Floor Saver Glide® is a registered trademark of Carpin Manufacturing, Inc.

Geiger® is a registered trademark of Geiger International.

Microsoft® and Natural® Keyboard are registered trademarks of Microsoft Corporation.

Place Textiles® is a registered trademark of Place Textiles.